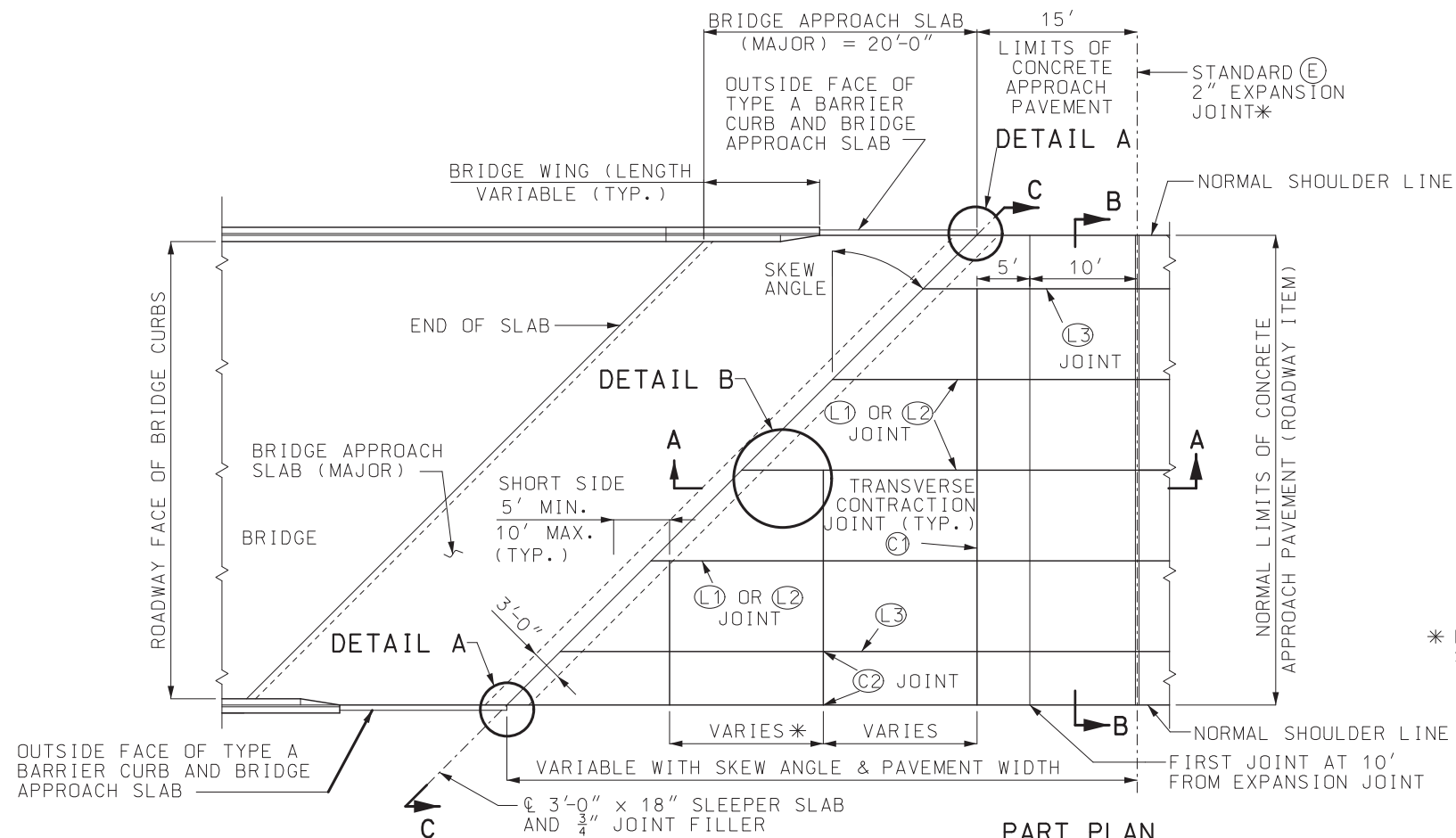
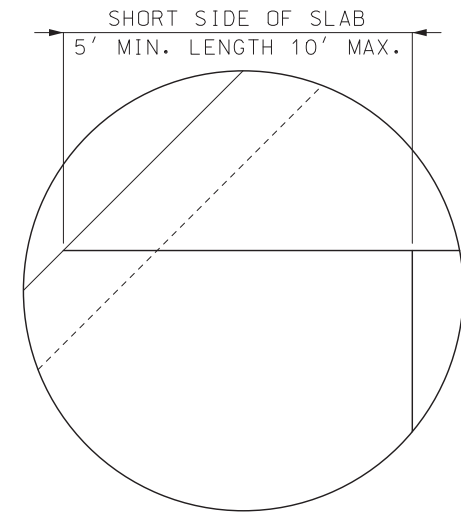


IF A SEAL IS PRESENT ON THIS SHEET IT HAS BEEN ELECTRONICALLY SEALED AND DATED.

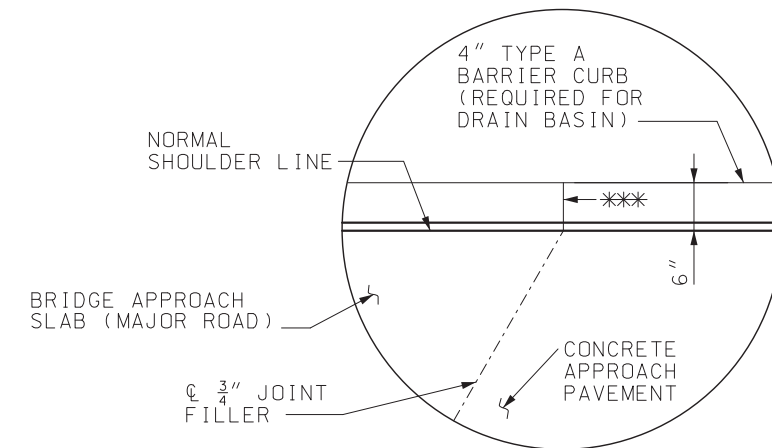
NOTE:
SHORT SIDE OF SKEWED SLAB FOR ALL LANES NEXT TO BRIDGE APPROACH SLAB SHALL BE 5' TO 10'.



* LENGTH OF RECTANGULAR SLABS BETWEEN SKEWED SLAB AND FIRST 10' SLAB SHALL BE 10' TO 15'.



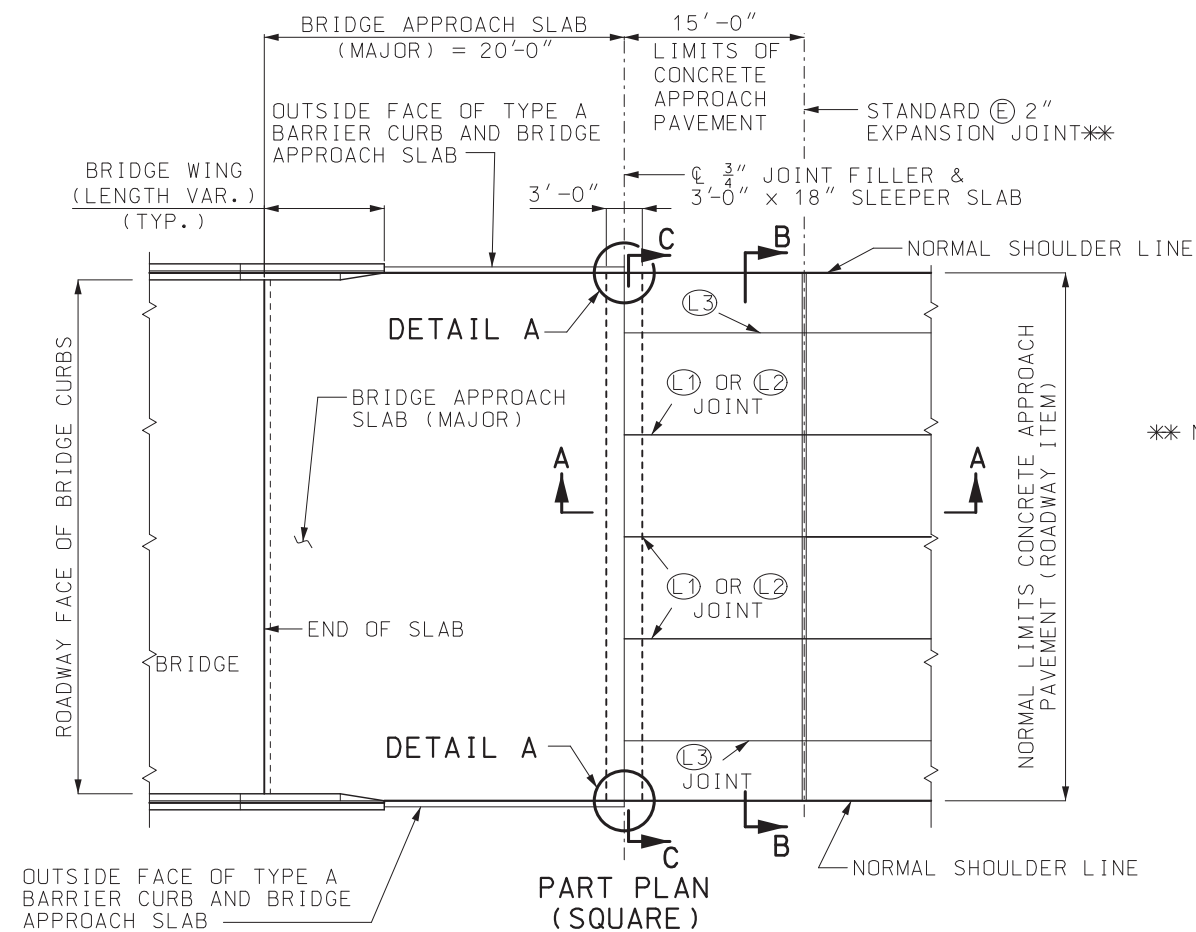
DETAIL B



*** USE $\frac{3}{4}$ " JOINT FILLER BETWEEN TYPE A CURBS

DETAIL A

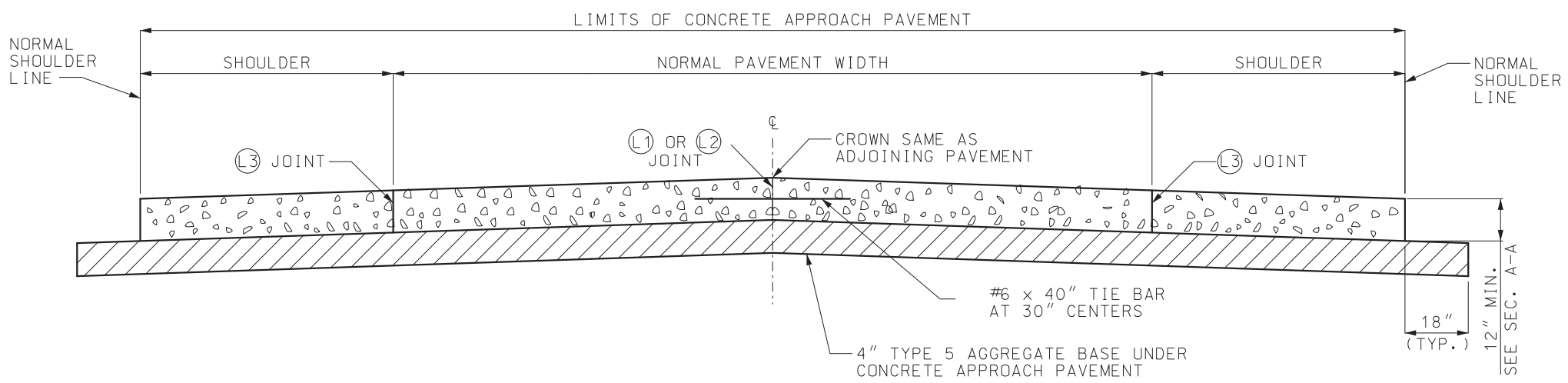
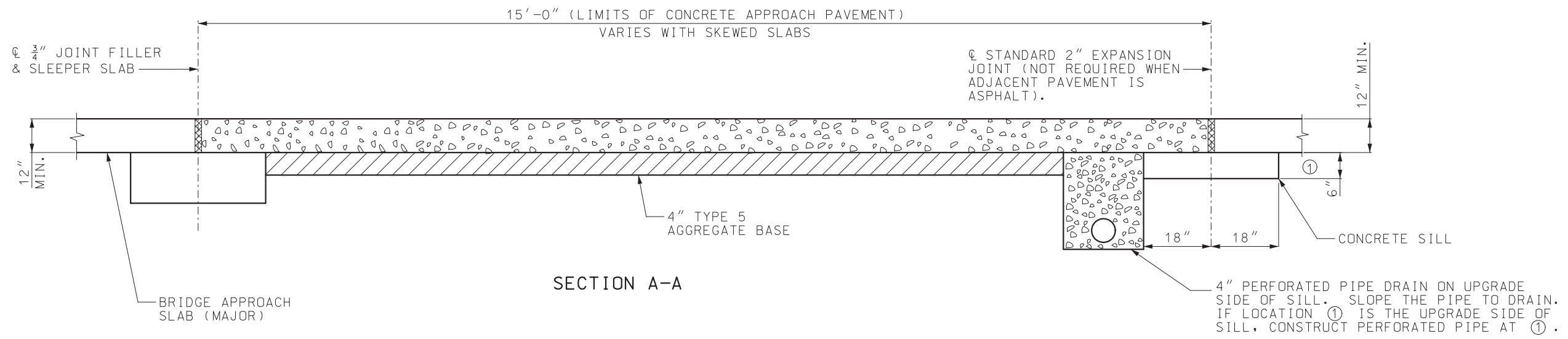
** NOT REQUIRED WHEN ADJACENT PAVEMENT IS ASPHALT.



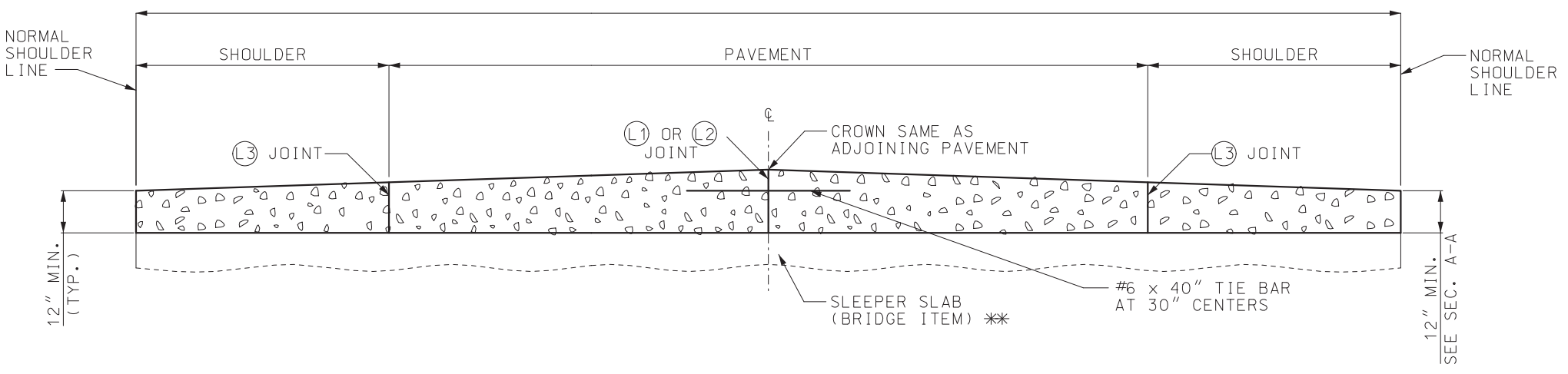
NOTE:
FOR SECTIONS A-A, B-B AND C-C, SEE SHEET 3 OF 3.

	MISSOURI HIGHWAYS AND TRANSPORTATION COMMISSION	
	105 WEST CAPITOL JEFFERSON CITY, MO 65102 1-888-ASK-MODOT (1-888-275-6636)	
	CONCRETE APPROACH PAVEMENT FOR MULTI-LANE PAVEMENTS (MAJOR ROUTE)	
DATE EFFECTIVE: 10/01/2022 DATE PREPARED: 7/19/2022	504.00L	SHEET NO. 2 OF 3

IF A SEAL IS PRESENT ON THIS SHEET IT HAS BEEN ELECTRONICALLY SEALED AND DATED.



FOR LOCATIONS OF SECTIONS A-A, B-B AND C-C, SEE SHEETS 1 AND 2.



** TOP OF SLEEPER SLAB MAY BE FLAT OR CROWNED. SEE BRIDGE PLANS.

GENERAL NOTES:
SEE STANDARD DRAWING 605.10 FOR PIPE OUTLET DETAIL FROM SHOULDER POINT TO INSLOPE.

	MISSOURI HIGHWAYS AND TRANSPORTATION COMMISSION	
	105 WEST CAPITOL JEFFERSON CITY, MO 65102 1-888-ASK-MODOT (1-888-275-6636)	
	CONCRETE APPROACH PAVEMENT (MAJOR ROUTE)	
DATE EFFECTIVE: 10/01/2022 DATE PREPARED: 7/19/2022	504.00L	SHEET NO. 3 OF 3