

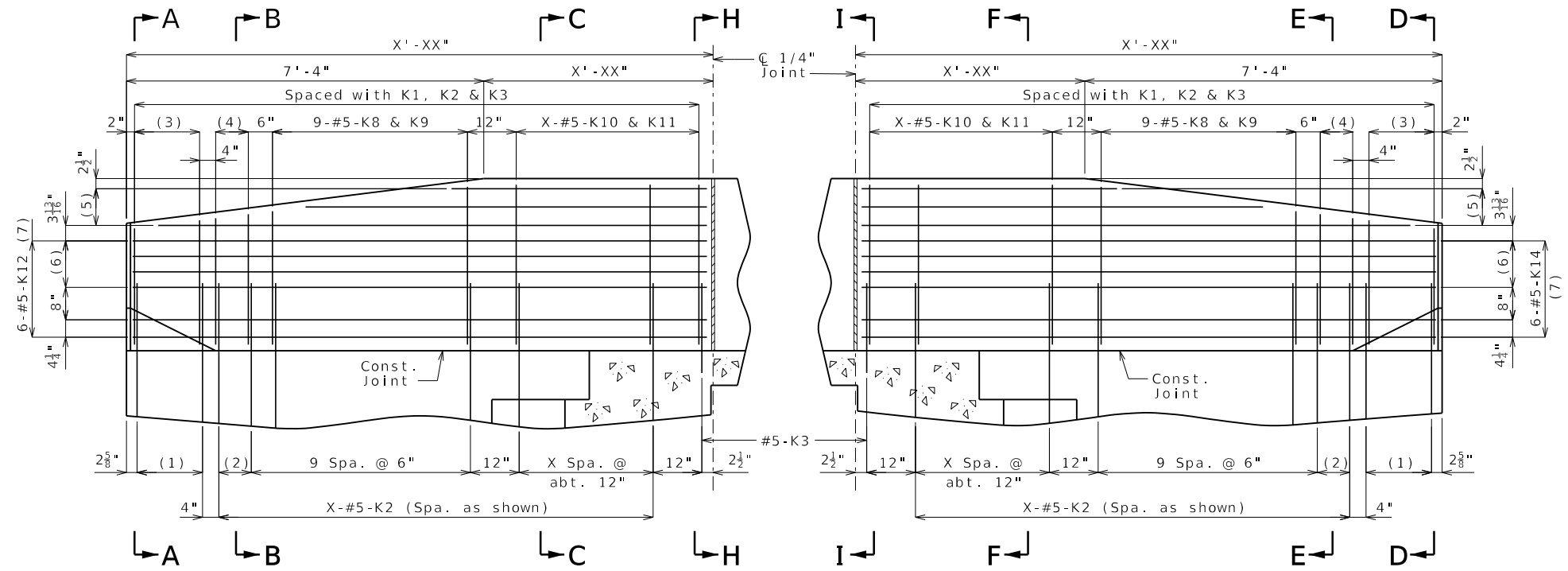


# BAR02\_D\_end\_i Guidance & Alternate Details

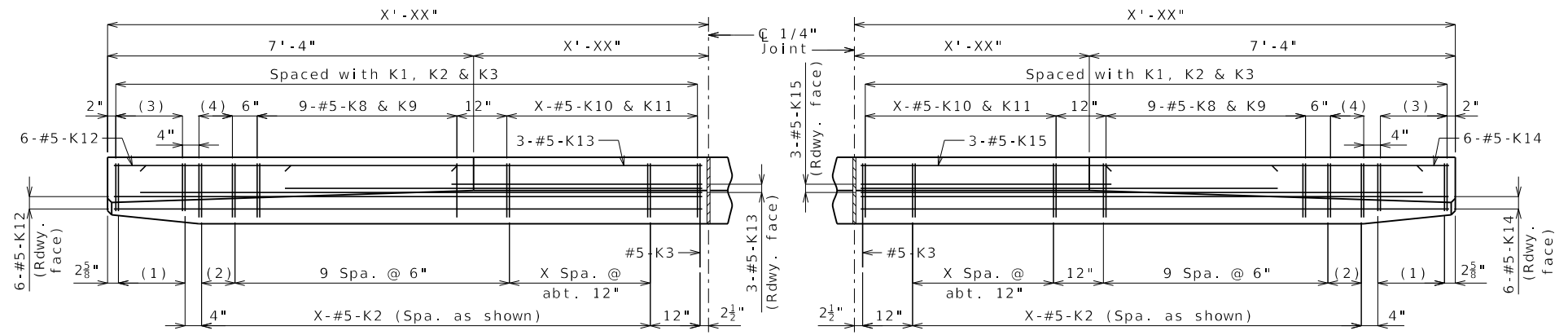
Standard Drawing Guidance: (do not show on plans)

For skews greater than 3 degrees, use alternate details, which substitute a K3 bar for the end K2 bar. For skews greater than 41 degrees, two K3 bars are required.

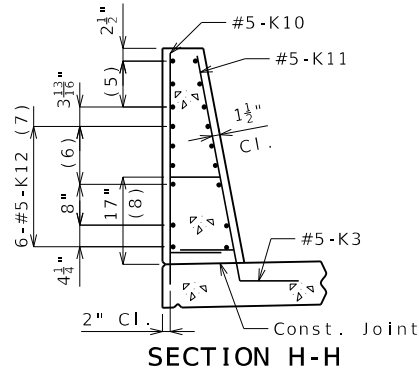
① Dimensions are based on a 2.0% sloped deck. Subtract 1/8" for a 3/16" per foot sloped deck.



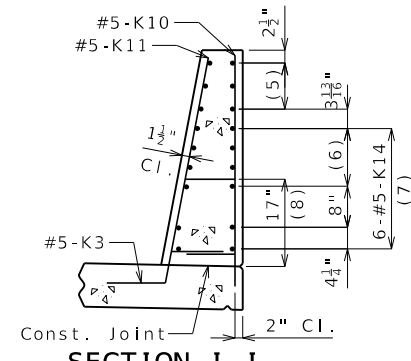
PART ELEVATION



PART PLAN



SECTION H-H



SECTION I-I

Alternate Details for Skewed Bridges Requiring K3 Bars