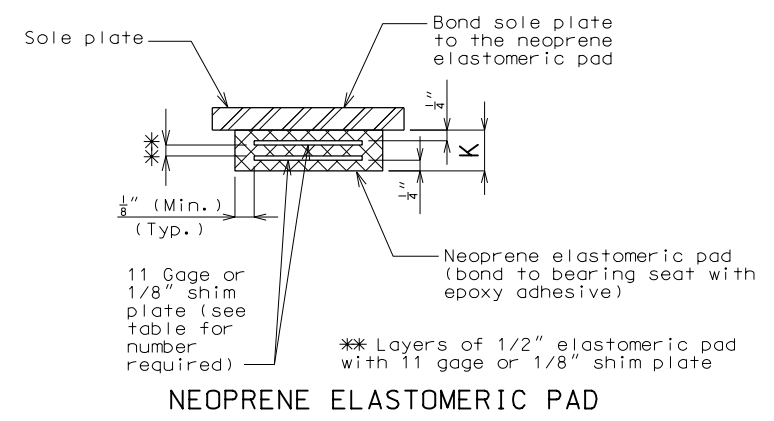
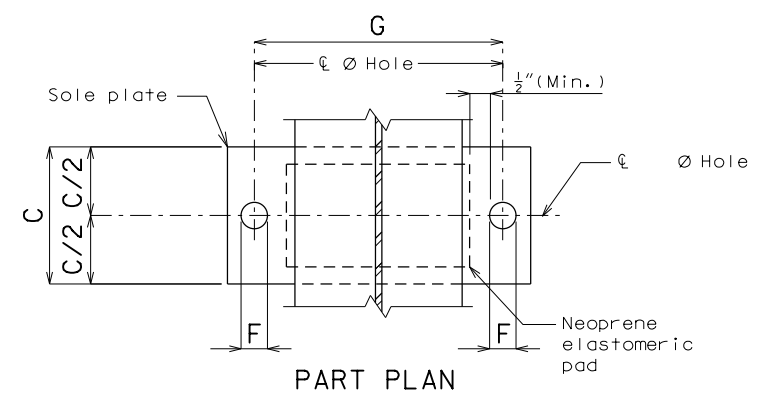
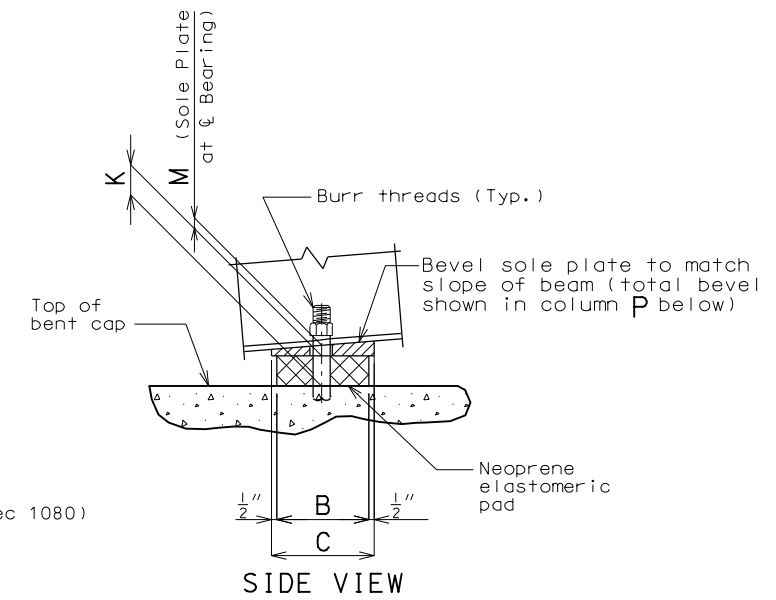
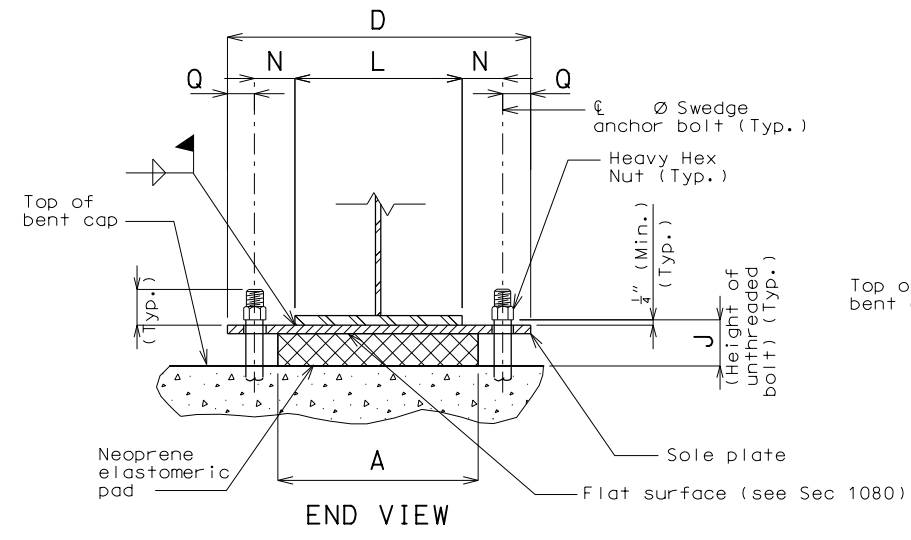


SWEDGE ANCHOR BOLT DETAILS

- (1) 1/8" for 3/4" thru 1 1/4" anchor bolts
- 1/8" to 1/4" for 1 3/8" thru 2 1/2" anchor bolts



Standard Drawing Guidance:
(do not show on plans.)

- Use note H3.49.1 with Grade 50W steel. Use note H3.49.2 when steel superstructure is galvanized. (H3.49 shown)
- Remove underlined portion when steel superstructure is galvanized.

GENERAL NOTES:

- Anchor bolts shall be \varnothing ASTM F1554 Grade 55 swaged bolts and shall extend into the concrete with ASTM A563 Grade A Heavy Hex nuts. Actual manufacturer's certified mill test reports (chemical and mechanical) shall be provided. Swedging shall be 1" less than extension into the concrete.
- Anchor bolts and heavy hex nuts shall be coated with a minimum of two coats of inorganic zinc primer to provide a total dry film thickness of 4 mils minimum, 6 mils maximum, or galvanized in accordance with Sec 1081.
- Neoprene Elastomeric Pads shall be Durometer.
- Structural steel for sole plate shall be ASTM A709 Grade and shall be coated with a minimum of two coats of inorganic zinc primer to provide a total dry film thickness of 4 mils minimum, 6 mils maximum.
- Laminated Neoprene Bearing Pad Assembly shall be in accordance with Sec 716.

FIXED BEARINGS														NUMBER OF SHIM PLATES *	NUMBER REQUIRED	
BENT NO.	A	B	C	D	F	G	J	K	L	M	N	P	Q			
* The required shim plate shall be placed between layers of elastomer and molded together to form an integral unit.															TOTAL BEARINGS	

LAMINATED NEOPRENE BEARING PAD ASSEMBLY

Note: This drawing is not to scale. Follow dimensions. Sheet No. of

MISSOURI HIGHWAYS AND TRANSPORTATION COMMISSION
 DATE PREPARED: 4/7/2022
 ROUTE: * BR DISTRICT: BR COUNTY: * STATE: MO SHEET NO.: *
 COUNTY: * JOB NO.: * CONTRACT ID.: PROJECT NO.: BRIDGE NO.: BRG08
 105 WEST CAPITOL JEFFERSON CITY, MO 65102 1-888-ASK-MODOT (1-888-275-6636)
 MO DOT
 IF A SEAL IS PRESENT ON THIS SHEET IT HAS BEEN ELECTRONICALLY SEALED AND DATED.