

3 (' x ') CONCRETE BOX CULVERT

SEC/SUR * TWP * RGE *

"THIS MEDIA SHOULD NOT BE CONSIDERED A CERTIFIED DOCUMENT."

DATE PREPARED 3/8/2021

ROUTE * STATE MO DISTRICT BR SHEET NO. *

COUNTY *

JOB NO. *

CONTRACT ID. *

PROJECT NO. *

BRIDGE NO. BXC12

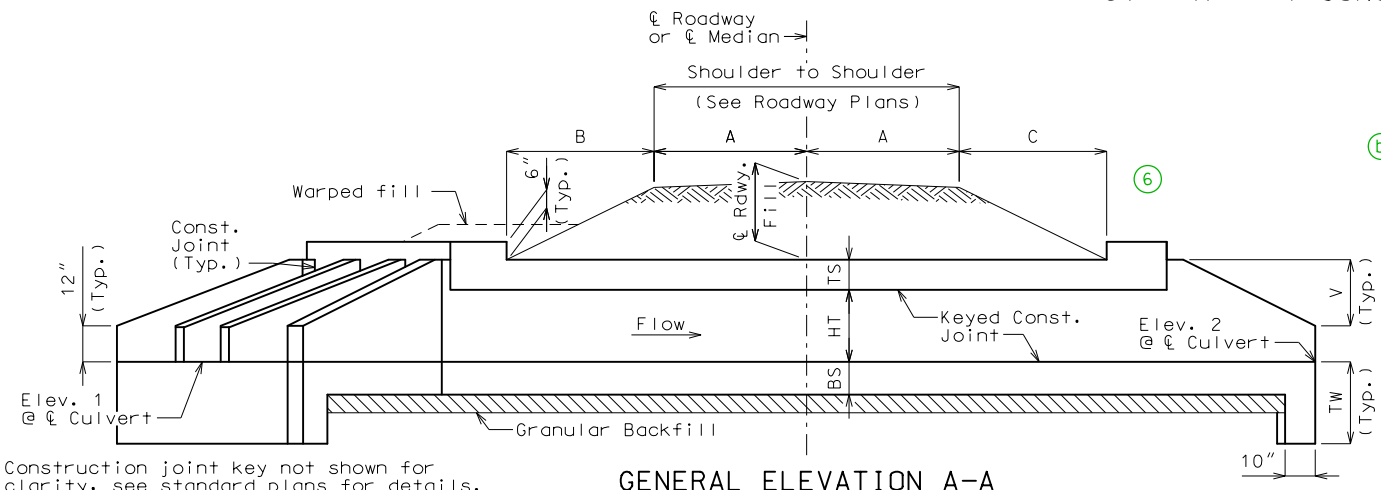
DESCRIPTION

DATE

MISSOURI HIGHWAYS AND TRANSPORTATION COMMISSION

105 WEST CAPITOL JEFFERSON CITY, MO 65102 1-888-ASK-MODOT (1-888-275-6636)

IF A SEAL IS PRESENT ON THIS SHEET IT HAS BEEN ELECTRONICALLY SEALED AND DATED.



GENERAL ELEVATION A-A

Construction joint key not shown for clarity, see standard plans for details.

If any part of the barrel is exposed, the roadway fill shall be warped to provide 12 inches minimum cover. (Roadway Item)

If unsuitable material is encountered, excavation of unsuitable material and furnishing and placing of granular backfill shall be in accordance with Sec 206.

Layout Dimensions table with columns: Var., Equation, Dim., Var., Equation, Dim., Var., Equation, Dim. Includes variables S, HT, TS, BS, TX, TI, A, B, C, D, E, F, G, H, I, J, K, L, M, N, O, P, Q, R, T, U, V, W, X, Y, Z, AA, BB, CC, DD, EE, HH, II, KK, LL, MM, OO, QQ, RR, SS, TT, TW.

Hydrologic Data table with fields: Drainage Area, Design Flood Frequency, Design Flood Discharge, Design Flood (D.F.) Elevation, Base Flood (100-year) Elevation, Base Flood Discharge, Estimated Backwater, Outlet Velocity, Roadway Overtopping Flood Discharge, Roadway Overtopping Flood Frequency, Flood Elevation.

Elevations table with fields: Upstream (Elev. 1), Downstream (Elev. 2), Pr. Gr. at Tie Sta.

Fill Heights table with fields: Elevation at Culvert, Design (All units).

Dimensions are based on end units. Fill heights are measured from the top of top slab to the top of earth fill or roadway.

Estimated Quantities table with columns: Item, Unit, Quantity, Final. Includes Class 4 Excavation, Removal of Bridges, Class B-1 Concrete, Reinforcing Steel.

General Notes:

Design Specifications: 2010 AASHTO LRFD Bridge Design Specifications and 2010 Interim Revisions

Design Loading: Vehicular = HL-93 minus lane load, Earth = 120 lb/cf, Equivalent Fluid Pressure = 30 lb/cf (min.), 60 lb/cf (max.)

Design Unit Stresses: Class B-1 Concrete (Box Culvert) f'c = 4,000 psi, Reinforcing Steel (Grade 60) fy = 60,000 psi

Standard Plans: 703.37, 703.85, 703.86, 703.87

Miscellaneous: MoDOT Construction personnel will indicate the type of box culvert constructed: Precast Concrete Box used, Cast-in-Place Concrete Box used

When alternate precast concrete box sections are used, the minimum distance from inside face of headwalls to precast sections measured along the shortest wall shall be 3 feet. Reinforcement and dimensions for wings and headwalls shall be in accordance with Missouri Standard Plans.

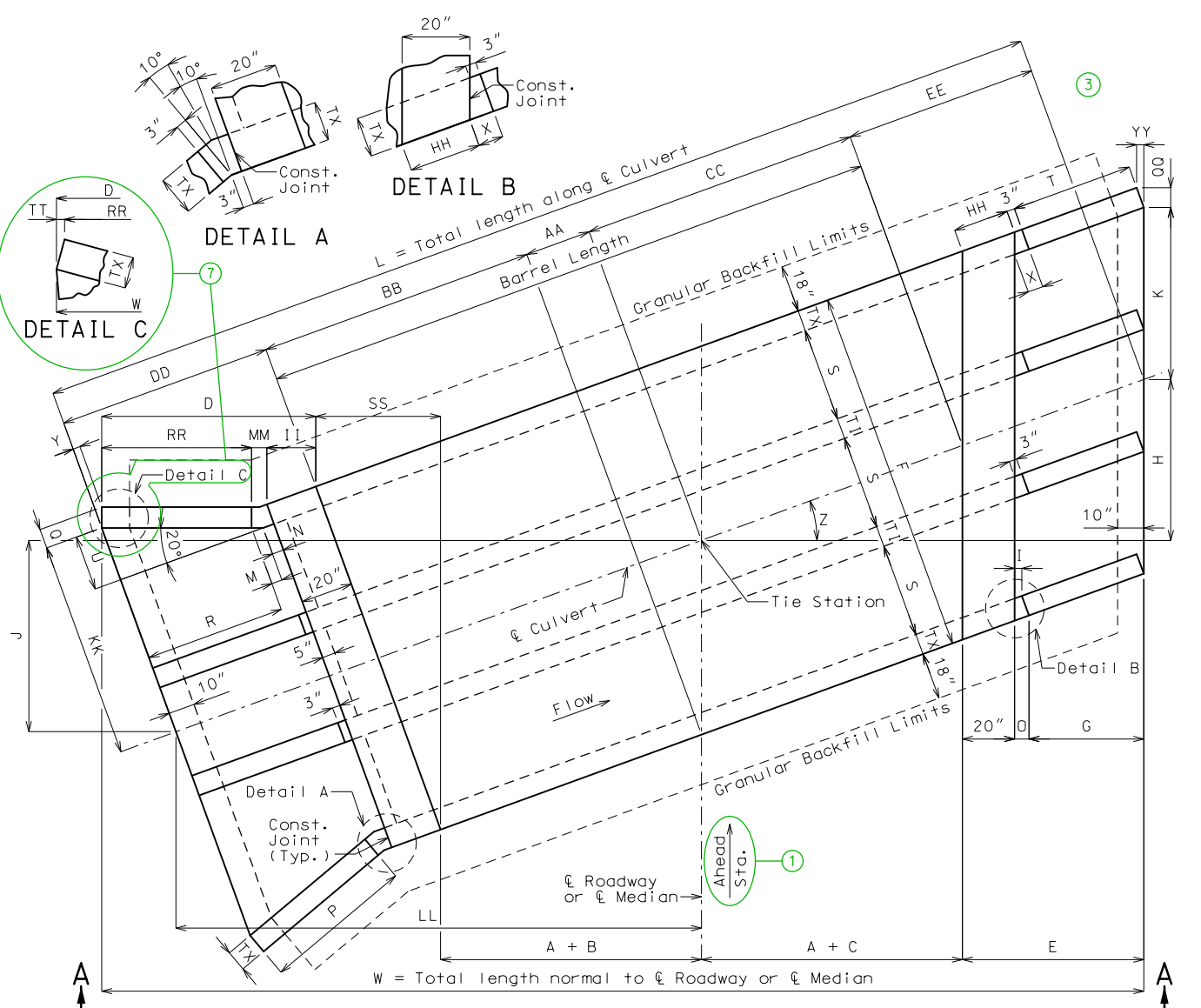
Channel bottom shall be graded within the right of way for transition of channel bed to culvert openings. Channel banks shall be tapered to match culvert openings. (Roadway Item)

Traffic Handling: Structure to be closed during construction. Traffic to be maintained on during construction. See roadway plans for traffic control.

B.M.

CULVERT-BRIDGE: ROUTE * OVER *

ROUTE * FROM * TO * ABOUT * MILES * OF * TIE STA. -----



PLAN OF LAYOUT DIMENSIONS

Note: This drawing is not to scale. Follow dimensions.

LOCATION SKETCH

Sheet No. 1 of

Designed Detailed Checked

Standard Drawing Guidance
(Do not show on plans. Turn off the Bridge Construction level to hide)

Some details have been grouped together to allow easy substitution with alternate details. To edit grouped details, select them and press <Ctrl> U.

1 Ahead station is shown for streams flowing left to right. Arrow must be flipped for streams that flow right to left.

2 Modify Estimated Quantities as required. Don't leave blank rows but leave space between Estimated Quantities and General Notes for at least one pay item to be added during construction. See Alternate Details for culvert extensions, or if five items are required.

3 Add any required transverse joints proportionally spaced along the barrel. Label units and add actual lengths of units along the barrel.

4 Insert STD 703.60 when pipe inlets are required. Add pipe inlets to Plan of Layout Dimensions at appropriate locations and to Elevation A-A if visible from elevation. Add inlet data using notes where space allows, or use tables.

5 For nonstandard culverts with only one design fill height, add supplemental reinforcement table.

6 No need to revise General Elevation A-A for dual roadways. In Fill Heights table add a lane designation after Rdw and insert another row for the other lane.

7 For skews 20 degrees or more, remove Detail C, remove TI from equation for D and place "N/A" in the Dim. column of Dimension TI. Will first need to separate Detail C from Plan by selecting and pressing <Ctrl> U.

***** VARIABLE DESIGN FILL HEIGHTS *****

a Select and delete the details grouped with the Fill Heights table. Select and move the alternate grouped details to drawing.

b Place "See Member Thickness table" in the Equation column and place "Varies" in the Dim. column. If Dimension F varies, place "Varies" in the Dim. column.

c Remove blank rows. End units may have different design fill heights but both units need to have the same member thicknesses.

d This portion of table required when design fill height exceeds limits of the standard plans or when culvert cell height or span is not standard. If only a portion of the units are nonstandard, fill out entire table using the values from the standard table where applicable. Omit if not required.

ALTERNATE AND SUPPLEMENTAL DETAILS

If any part of the barrel is exposed, the roadway fill shall be warped to provide 12 inches minimum cover. (Roadway Item)

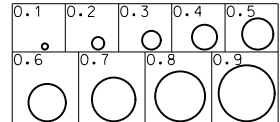
Construction joint key not shown for clarity, see standard plans for details.

If unsuitable material is encountered, excavation of unsuitable material and furnishing and placing of granular backfill shall be in accordance with Sec 206.

Pipes With Same Diameter

XX" Pipe Inlet Data		
Station	Offset	F.L. Elev.
xx+xx.xx	xx.xx' XX	xxx.xx
xx+xx.xx	xx.xx' XX	xxx.xx
xx+xx.xx	xx.xx' XX	xxx.xx

Inlets Sized for Elevation A-A (Pipe Diameter/Culvert HT)



Pipes With Different Diameters

Pipe Inlet Data			
Station	Offset	Dia.	F.L. Elev.
xx+xx.xx	xx.xx' XX	xx"	xxx.xx
xx+xx.xx	xx.xx' XX	xx"	xxx.xx
xx+xx.xx	xx.xx' XX	xx"	xxx.xx

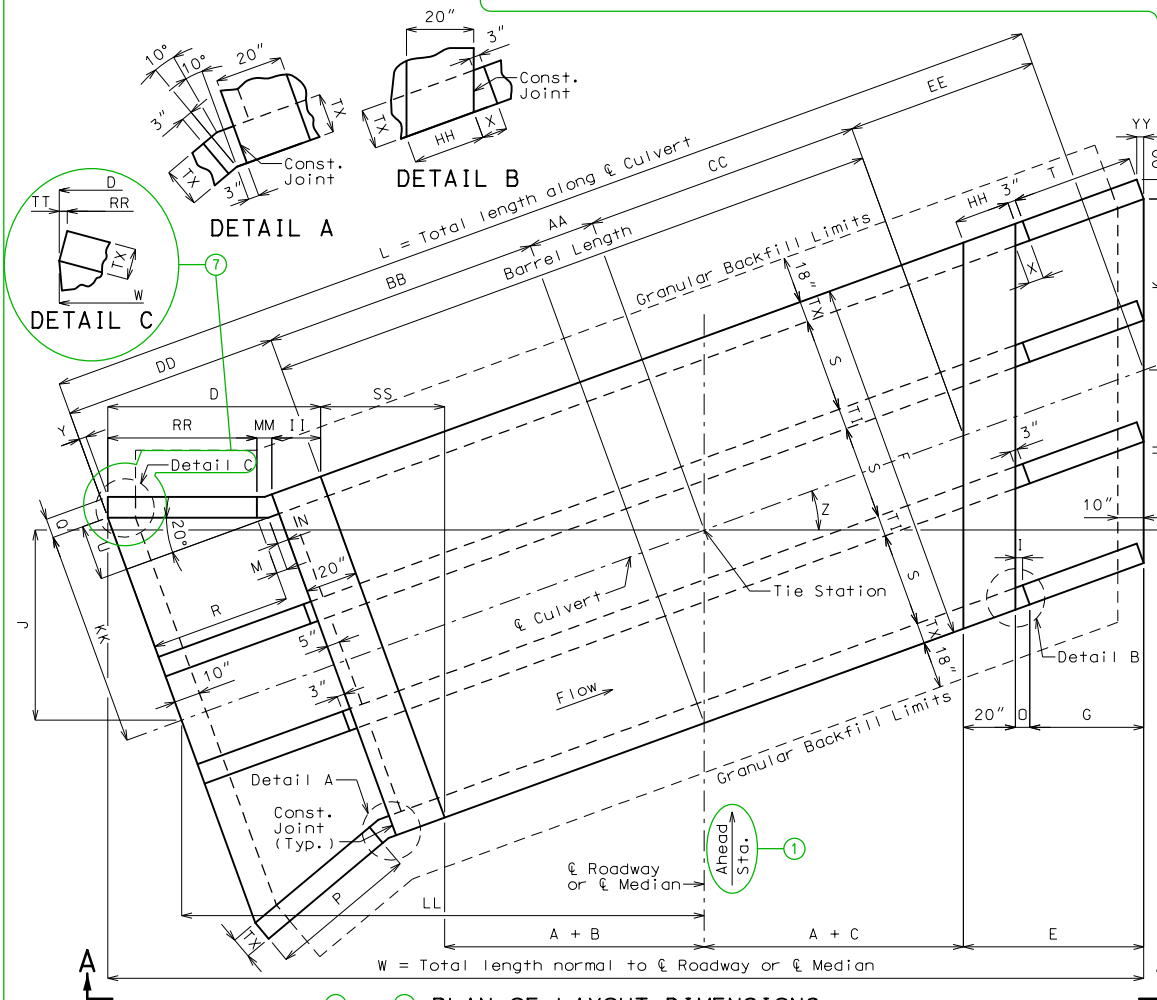
Supplemental Pipe Inlet Details 4

Supplemental Reinforcement Table (Nonstandard culverts with only one design fill height) 5

Top Slab Reinforcement										Bottom Slab Reinforcement						Wall Reinforcement										
A1 Bars		J3 Bars		H1 Bars		H2 Bars		A2 Bars		J4 Bars		H3 Bars		B1 Bars	B2 Bars											
Sz.	Spa.	Sz.	Spa.	C1	K2	Sz.	Spa.	C5	O8	Sz.	Spa.	C6	O9	Sz.	Spa.	C4	K3	Sz.	Spa.	C7	O10	Sz.	Spa.	Sz.	Spa.	G1
x	x	x	x	x	x	x	x	x	x	x	x	x	x	x	x	x	x	x	x	x	x	x	x	x	x	

Substitute table for tables shown on Standard Plan 703.87

Alternate Details for Multiple Design Fill Heights a



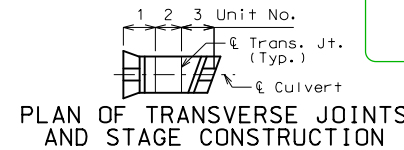
Corresponds to the border of the standard drawing for ease in moving alternate details (Snap to corner)

Fill Heights	
℄ Rdw at ℄ Culvert =	ft
Design (Units 1 &) =	ft
Design (Units &) =	ft
Design (Units &) =	ft

Dimensions are based on end units, except AA is based on Unit . Fill heights are measured from the top of top slab to the top of earth fill or roadway.

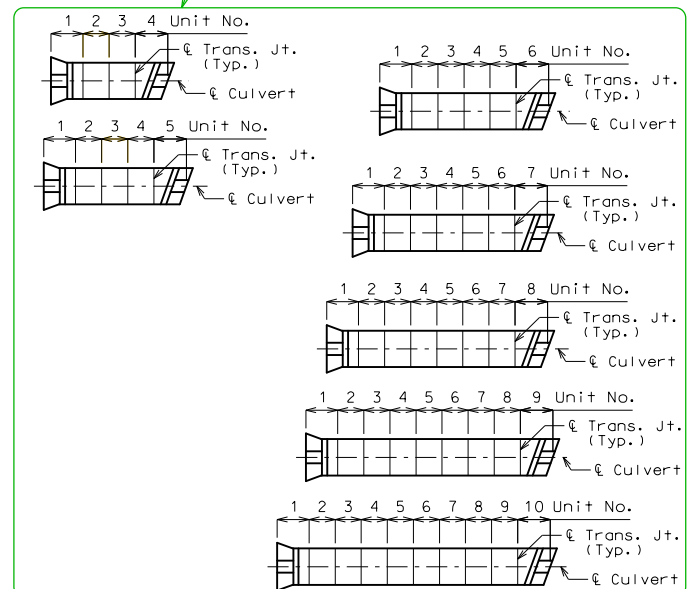
Estimated Quantities			Final
Class 4 Excavation	cu. yard	x	
Temporary Shoring	lump sum	1	
Partial Removal of Culvert-Bridge Concrete	lump sum	1	
Class B-1 Concrete (Culverts-Bridge)	cu. yard	x	
Reinforcing Steel (Culverts-Bridge)	pound	x	

Alternate Estimated Quantities for Culvert Extensions or when Five Items are Required 2



Remove if not applicable.

Alternate Plan of Transverse Joints



Unit No.	Unit Length	Member Thickness					Top Slab Reinforcement										Bottom Slab Reinforcement						Wall Reinforcement										
		TS	BS	TX	TI	F	A1 Bars	J3 Bars		H1 Bars		H2 Bars		A2 Bars	J4 Bars		H3 Bars		B1 Bars	B2 Bars													
							Sz.	Spa.	Sz.	Spa.	C1	K2	Sz.	Spa.	C5	O8	Sz.	Spa.	C6	O9	Sz.	Spa.	C4	K3	Sz.	Spa.	C7	O10	Sz.	Spa.	Sz.	Spa.	G1
x	x	x	x	x	x	L"	x	x	x	x	x	x	x	x	x	x	x	x	x	x	x	x	x	x	x	x	x	x	x	x	x	x	
x	x	x	x	x	x	L"	x	x	x	x	x	x	x	x	x	x	x	x	x	x	x	x	x	x	x	x	x	x	x	x	x	x	
x	x	x	x	x	x	L"	x	x	x	x	x	x	x	x	x	x	x	x	x	x	x	x	x	x	x	x	x	x	x	x	x	x	

Substitute table for tables shown on Standard Plan 703.87