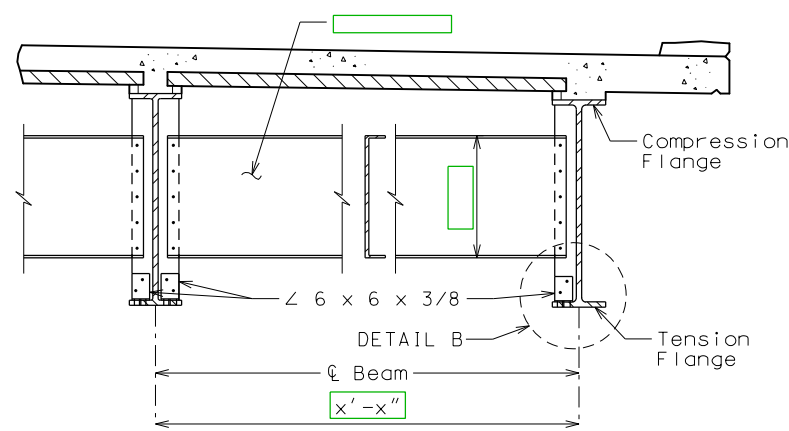
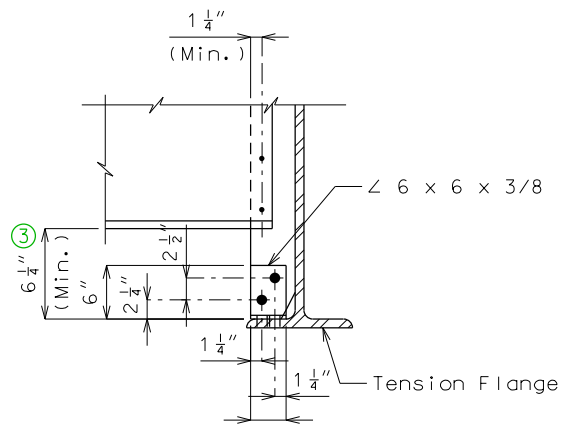


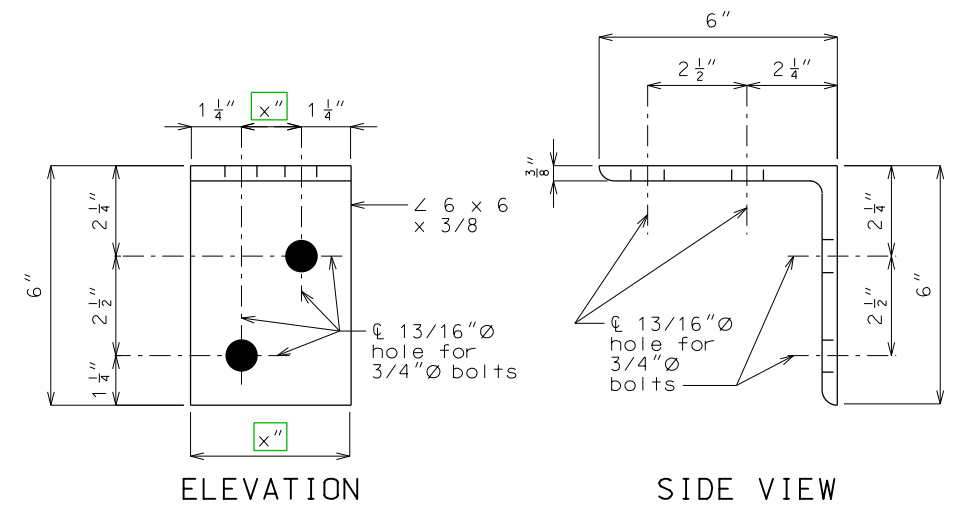
TYPICAL PART SECTION SHOWING CROSS FRAMES AND INTERMEDIATE DIAPHRAGMS TOP FLANGE IN TENSION



TYPICAL PART SECTION SHOWING INTERMEDIATE DIAPHRAGMS BOTTOM FLANGE IN TENSION

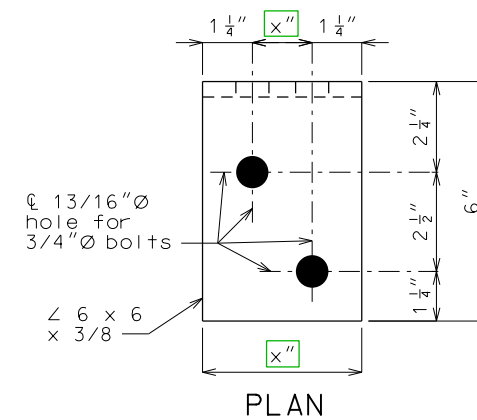


DETAIL B
(Bottom flange shown, top flange similar.)



ELEVATION

SIDE VIEW



PLAN

DETAIL OF FLANGE CONNECTION ANGLE

Note: Bolts shall be 3/4-inch diameter ASTM F3125 Grade A325
 ② Type 1 Type 3 that connect the 6 x 6 x 3/8 angle to the top flange and placed so the nut is on the inside of flange (toward the web).

Use these alternate details if Flange Connection Angle is required by design.

② Use Type 3 for weathering steel bolted connections and Type 1 for painted or galvanized steel connections.

③ Verify clearance for cross slope.