

# Callaway County Route D Roadway and Bridge Improvements over I-70



Job No: J5S3234

## Bridge Facts:

- Constructed in 1963
- Bridge Deteriorating, bridge deck in serious condition

## Project Facts:

- Removal and replacement of bridge on Route D over I-70
- Existing Bridge Deck: 24' width, 207' length
- Proposed Bridge Deck: 28' width, 232' length
- Roadway improvements approximately 226' to the north and 182' to the south of the bridge

## Traffic Impacts:

- Bridge will be closed during construction
- Closed up to 3 months
- Detour will not be signed during construction

## Construction:

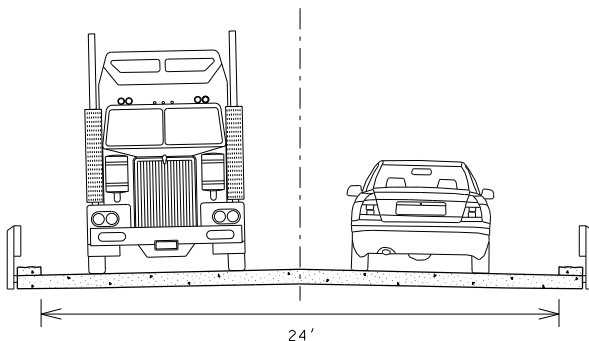
- Construct in 2020

## Estimated Total Project Cost:

- Estimated Total Construction Cost = \$2,110,000

### EXISTING BRIDGE TYPICAL SECTION

E ROUTE D

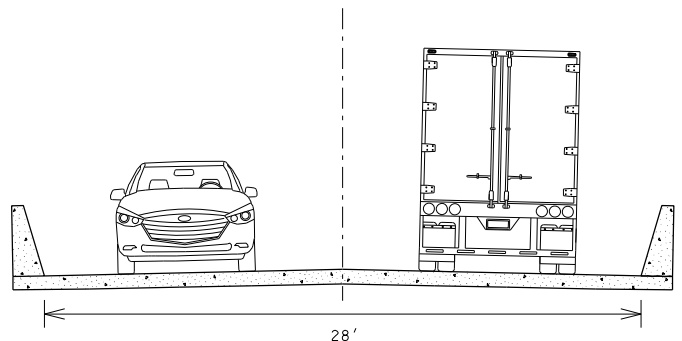


### EXISTING BRIDGE DECK

ROUTE D BR. #A0027  
CONSTRUCTION YEAR 1963  
LENGTH = 207'

### PROPOSED BRIDGE TYPICAL SECTION

E ROUTE D



### PROPOSED BRIDGE DECK

ROUTE D BR. #A0027  
CONSTRUCTION YEAR 2020  
LENGTH = 232'