

Alternatives Report

Route 19 over Interstate 70

MoDOT Project No.: J2P3090

Prepared for:
Missouri Department of Transportation
Northeast District

January 24, 2020

Jacobs Project Number:
F3W94500

Jacobs Engineering Group Inc.
501 North Broadway
St. Louis, Missouri 63102 U.S.A.
1.314.335.4000



Contents

| | |
|--|----|
| Executive Summary | 3 |
| Introduction | 5 |
| Study Area | 5 |
| Data and Methodology | 5 |
| Background | 6 |
| Alternatives Development..... | 6 |
| Option 1 – Route 19 Realignment to the West with New Dual 6-leg Roundabouts..... | 7 |
| Option 2 – Route 19 Realignment to the West with Signalized Intersection and new 4-leg Roundabout | 8 |
| Option 5 – Route 19 Realignment to the West with Signalized Intersection and new 5-leg Elliptical Roundabout | 9 |
| Option 7 – Route 19 Realignment to the West with Access Management Outer Road Configurations..... | 10 |
| Alternatives Analysis..... | 10 |
| Option 1..... | 10 |
| Option 2..... | 16 |
| Option 5..... | 19 |
| Option 7..... | 21 |
| Estimated Cost..... | 26 |
| Recommendation..... | 26 |
| | |
| Appendix A – Alternatives Exhibits | |
| Appendix B – Operational Traffic Analyses | |
| Appendix C – Cost Estimates | |
| Appendix D – Traffic Memorandum | |
| Appendix E – Bridge Type Plans | |
| Appendix F – Request for Environmental Services | |
| Appendix G – HSM Evaluation Summary | |

Executive Summary

Route 19 is a two-lane minor arterial rural highway crossing I-70 near New Florence, MO with a conventional diamond interchange providing access to and from I-70. The Route 19 overpass provides a vital link connecting nearby businesses and residents as well as historic Hermann and the Katy Trail to the south of I-70 and Montgomery City and Mark Twain Lake north of I-70. The objective of this report is to provide alternatives that will maintain this connection during and after construction as well as developing alternatives that will facilitate traffic now and in the future.

Existing traffic operations were evaluated as well as traffic operations for all alternatives for the Design Year 2041. The future construction of a proposed Truck Stop in the southeast quadrant of the interchange was included for traffic modeling.

Topographical survey was collected in early 2019 for this study corridor. The survey information was used in the development of the design alternatives.

Conceptual design alternatives were presented to the MoDOT Project Team during multiple Design Concept Workshops performed on April 30, 2019, July 25, 2019 and October 1, 2019. Feedback from those meetings has been incorporated into the final recommended alternative.

The development of Route 19 design alternatives focused on constructing a new bridge, providing a structure length that would span a future widening of I-70 to 6 lanes, and improving the ramp terminal and outer road intersections. Major features of the design alternatives that were further analyzed are described below.

Option 1 (see Appendix A for figure)

- Realignment of Route 19 bridge west of existing Route 19 bridge.
- WB I-70 on/off ramp terminals and Booneslick Road intersection with Route 19 combined into a 6-leg roundabout.
- EB I-70 on/off ramp terminals and Tree Farm Road/South Outer Road intersection with Route 19 combined into a 6-leg roundabout.
- 36 ft roadway to provide two thru traffic lanes required on the new bridge.

Option 2 (see Appendix A for figure)

- Realignment of Route 19 bridge west of existing Route 19 bridge.
- Construction of a roundabout at the intersection of Tree Farm Road/South Outer Road and Route 19.
- Reconstruction of the signalized intersection of Booneslick Road and Route 19.
- 56 ft roadway to provide two thru traffic lanes and a center turn lane required on the new bridge.

Option 5 (see Appendix A for figure)

- Realignment of Route 19 bridge west of existing Route 19 bridge, minimizing the skew angle between Route 19 and I-70.

- Construction of an elliptical 5-leg roundabout south of proposed Route 19 bridge incorporating EB on/off ramps, Tree Farm Road/South Outer Road (West), and Route 19.
- Reconstruction of the signalized intersection of Booneslick Road and Route 19.
- Reconstruction of EB off-ramp
- Construction of new intersection for Tree Farm Road/South Outer Road (East) to Route 19.
- 48 ft roadway to provide two thru traffic lanes and a center turn lane required on the new bridge.

Option 7 (see Appendix A for figure)

- Realignment of Route 19 bridge west of existing Route 19 bridge.
- Reconstruction of the interchange ramps and outer roads per EPG Access Management guidelines.
- 48 ft roadway to provide two thru traffic lanes and a center turn lane required on the new bridge.
- Recommendation of the *Improve I-70* Second Tier Environmental Impact Statement completed in December 2005 (ROD 2006).

Introduction

Study Area

The study corridor for this report includes approximately 0.50 miles of Route 19 and includes the diamond interchange with I-70 as well as outer road connections at Booneslick Road and Tree Farm Road/South Outer Road (see Figure 1). The corridor is located in south-central Montgomery County.

Figure 1 – Project Study Area



Data and Methodology

The project team met with MoDOT Project representatives regarding initial scoping of the project August 7, 2018. Once the project initiated, a team call on April 11, 2019 confirmed additional details. A Traffic Memorandum summarizing project assumptions and existing conditions was submitted to MoDOT and finalized May 31, 2019; this memo is attached to this document as Appendix D.

Background

Currently, traffic operations within the study area are very positive with ratings of LOS A and B at all intersections and individual movements in both the AM and PM peak hours of weekday operations. The existing operations were determined via a Traffic Impact Study for a “Love’s Travel Stop” (April 24, 2018) proposed for the southeast quadrant of the interchange. This study also determined that a dedicated southbound left-turn lane approaching the eastbound I-70 ramps terminal intersection is warranted based on existing volumes. With regard to the future development, the only recommended improvement was a southbound left-turn lane for the intersection with Tree Farm Road/South Outer Road.

The proposed Travel Stop was incorporated into future projections for the study corridor for the Construction Year (2021) timeframe. In addition, a similar development to be potentially developed in the southwest corner of the interchange was added for the Design Year (2041) projections. Analysis of the future network volumes found that operations remained at an acceptable level through the Construction Year (2021) but could be expected to deteriorate by the Design Year 2041 with the additional development – specifically at the Tree Farm Road/South Outer Road intersection and the I-70 Ramps terminal intersections. The future No-Build analyses are also presented in the Traffic Memorandum (May 31, 2019) attached as Appendix D.

Alternatives Development

In April, a meeting was held to discuss six different alternatives. A seventh alternative was suggested after the meeting. The six alternatives presented, and the seventh alternative were:

- Option 1 – Offset alignment with dual 6-leg roundabouts at outer roads and ramps
- Option 2 – Offset alignment with traditional ramp terminal and outer road intersections
- Option 3 – Intersection and bridge replacement on existing alignment
- Option 4 – Offset alignment with traditional ramp terminal intersections and dual 4-leg roundabouts at outer roads
- Option 5 – Offset alignment with minimized skew angle, traditional ramp terminal and outer road intersections north of I-70 and an elliptical roundabout at the intersection with Tree Farm Road/South Outer Road and the ramps south of I-70
- Option 6 – Teardrop roundabout construction
- Option 7 – Offset alignment with ramp and outer road connections per MoDOT Access Management plan

During the April meeting, Option 3 was eliminated due to the long-term closures of Route 19 required for construction on existing alignment. Additionally, Option 6 was eliminated due to concerns with accommodating all traffic movements that the area requires along with the possibility of needing a wider structure. Options 2 and 4 were combined to maintain as much of the existing intersection at Booneslick Road as possible. Thus, a new Option 2 was established that builds a new bridge offset to the existing bridge and maintains a traditional signalized intersection at Booneslick Road and Route 19 and a proposed roundabout at Tree Farm Road/South Outer Road and Route 19. Furthermore, Option 7 was added with relocated outer roads and ramp terminals matching a previously completed Environmental Impact Study of the I-70 corridor.

Alternatives were developed that are consistent with both MoDOT's *Engineering Policy Guide (EPG)* and the American Association of State Highway and Transportation Officials' (AASHTO) *A Policy on Geometric Design of Highways and Streets*. Appendix A shows detailed conceptual layouts of the alternatives that were further analyzed.

None of the alternatives evaluated include bicycle or pedestrian facilities. This determination was made early in the process of defining alternatives and is based on the absence of bicycle or pedestrian (bike/ped) facilities at the existing interchange, no current demand for those facilities, and the development forecast for the interchange area. The interchange area is a primary traffic generator for vehicle stops during travels on I-70 and Route 19. Although new gas and convenience centers are proposed for the interchange, no new generators of bike/ped traffic are anticipated given the rural nature of the project. The nearest population center, New Florence, is about a mile to the northeast via Route 19. Existing Route 19 paved shoulders can be utilized to offer bicycle facilities and connectivity to the Katy Trail; however, the shoulder width narrows south of the project limits. Should future demands change for bicycle/pedestrian facilities, any of the defined alternatives can be modified in the future.

Option 1 – Route 19 Realignment to the West with New Dual 6-leg Roundabouts

Appendix A-Option 1 Exhibit shows the conceptual layout. Major features of Option 1 include:

- Realignment of Route 19 bridge west of existing Route 19 bridge.
- WB I-70 on/off ramp terminals and Booneslick Road intersection with Route 19 combined into a 6-leg roundabout.
- EB I-70 on/off ramp terminals and Tree Farm Road/South Outer Road intersection with Route 19 combined into a 6-leg roundabout.
- 36 ft roadway to provide two thru traffic lanes required on the new bridge.

Benefits

The dual 6-leg roundabouts eliminate the need for traffic signals as well as the maintenance costs associated with them. Additionally, combining the ramp terminal intersections with the outer road intersections into a roundabout eliminates the proximity of two separate intersections. Dual roundabout construction eliminates the need for a center turn lane across the bridge, thus allowing for the narrowest roadway width across the bridge of all the options, 36 ft.

Eliminating intersections and incorporating them into roundabouts provides for safer corridor for the traveling public and decreases the probability of crashes.

Furthermore, option 1 requires the least amount of right-of-way to be acquired.

Disadvantages

Introducing roundabouts would disrupt the current tangent alignment of Route 19 and slow traffic that wants to pass through on Route 19. Additionally, 6-leg roundabouts would be unfamiliar to local drivers. To help familiarize drivers with the new traffic movements, additional signage would be required.

The geometric configuration required for a 6-leg roundabout increases the overall footprint of Route 19. The increased footprint requires more earthwork and pavement to incorporate the free-flowing traffic movements.

Option 2 – Route 19 Realignment to the West with Signalized Intersection and new 4-leg Roundabout

Appendix A-Option 2 Exhibit shows the conceptual layout. Major features of Option 2 include:

- Realignment of Route 19 bridge west of existing Route 19 bridge.
- Construction of a roundabout at the intersection of Tree Farm Road/South Outer Road and Route 19.
- Reconstruction of the signalized intersection of Booneslick Road and Route 19.
- 56 ft roadway to provide two thru traffic lanes and a center turn lane required on the new bridge. Increased bridge width to provide for sight distance related to turn movements

Benefits

This alternative would reconstruct the existing signalized intersection at Booneslick Road and Route 19 and construct a new 4-leg roundabout at Tree Farm Road/South Outer Road and Route 19. The existing ramp terminals would be reconstructed and would be very similar to existing conditions. This alternative would be most familiar to drivers. The 4-leg roundabout would be new to local traffic, but it is the most common roundabout drivers experience.

This alternative would require the least amount of grading and earthwork and would be the quickest to construct, resulting in less disturbance to traffic.

Disadvantages

The skew of the ramp terminal intersections and Route 19 create sight distance issues for drivers trying to see around the bridge parapet. To allow for adequate sight distance the bridge shoulders were increased to 10', creating an overall roadway width across the bridge of 56'. Additionally, with this option, ramp terminal intersections and outer road intersections would remain very close together. This could lead to traffic issues in the future if signals are required at the ramp terminals due to an increased ADT.

Option 5 – Route 19 Realignment to the West with Signalized Intersection and new 5-leg Elliptical Roundabout

Appendix A-Option 5 Exhibit shows the conceptual layout. Major features of Option 5 include:

- Realignment of Route 19 bridge west of existing Route 19 bridge, minimizing the bridge skew.
- Construction of an elliptical 5-leg roundabout south of proposed Route 19 bridge incorporating EB on/off ramps, Tree Farm Road/South Outer Road, and Route 19.
- Reconstruction of the signalized intersection of Booneslick Road and Route 19.
- Reconstruction of EB off-ramp
- Construction of new intersection for Tree Farm Road/South Outer Road (East) to Route 19.
- 48 ft roadway to provide two thru traffic lanes and a center turn lane required on the new bridge.

Benefits

This alternative realigns Route 19 over I-70 to the west of the existing bridge and minimizes the bridge skew. The reduced skew angle yields the shortest and least costly bridge of all options. Additionally, the skew reduction of the Route 19 alignment over I-70 allows the ramp terminals for WB I-70 to intersect Route 19 near 90 degrees.

The elliptical roundabout eliminates the EB I-70 ramp terminal intersection and reduces the speed of traffic, decreasing the probability and severity of crashes.

Disadvantages

This alternative would alter the existing alignment of Route 19 the most and create a “jog” in the North/South traffic movements along Route 19. Furthermore, the proximity of the roundabout to the proposed bridge would necessitate a retaining wall at the south abutment of the bridge along EB I-70.

The existing ground elevations at the proposed roundabout would require approximately 25' of fill resulting in a large amount of earthwork and grading. This large amount of earthwork would likely require an extended closure of the EB I-70 off-ramp and Tree Farm Road/South Outer Road during construction, west of Route 19.

The roundabout and raised ramp profile south of I-70 require a significant amount of added right-of-way acquisition.

Option 7 – Route 19 Realignment to the West with Access Management Outer Road Configurations

Appendix A-Option 7 Exhibit shows the conceptual layout. Major features of Option 7 include:

- Realignment of Route 19 bridge west of existing Route 19 bridge.
- Reconstruction of the interchange ramps and outer roads per EPG Access Management guidelines.
- 48 ft roadway to provide two thru traffic lanes and a center turn lane required on the new bridge.
- Recommendation of the *Improve I-70* Second Tier Environmental Impact Statement completed in December 2005 (ROD 2006).

Benefits

This alternative realigns Route 19 over I-70 to the west of the existing bridge. New ramp terminals and outer road connections are constructed per MoDOT EPG to comply with Access Management guidelines.

Disadvantages

This alternative would require a large amount of ROW to be purchased and the complete realignment of the outer road system. Extensive removals and clearing and grubbing would be required. The new alignment of the outer roads would position them behind the existing business currently located in the Northeast and Northwest quadrants of the interchange. Furthermore, this option would have the largest construction footprint and would be more than double the cost of the other options.

Alternatives Analysis

Further analyzing the different options focused on the constructability of each option as well as providing an acceptable level of service for all traffic movements and assessing the general qualitative safety impacts to the corridor in the construction (2021) and design (2041) years. The results of the traffic operational analysis are shown in the tables within Appendix B. It is desirable to maintain traffic on the existing Route 19 alignment as long as possible while construction is on-going and limit any Route 19, ramp, or outer road closures that will be required to complete construction. Further analysis of each option is provided below:

Option 1

Constructability

The proposed alignment of Route 19 would allow the new bridge to be constructed off-line while maintaining traffic on existing Route 19. While the new bridge is being constructed, half of the proposed roundabouts could be constructed, and additional build-up of earthwork could be

completed where required. Once the bridge is completed, short term closures could be utilized to connect the bridge to the half-completed roundabouts. Traffic could then be shifted to the new bridge and half-completed roundabouts while the other half of the roundabouts are completed. To minimize the length of some construction phases, the temporary closure of various ramps and outer roads may occur.

Traffic Analysis

Both roundabouts can be expected to operate at acceptable LOS through the Design Year (2041): the south roundabout is projected to operate at LOS A/B and the north roundabout at LOS B/C in forecast years 2021/2041. The generally high levels of operation could be expected to provide some room for additional unforeseen growth.

Safety

Regarding safety, roundabouts reduce the number of conflict points at an intersection; combining two intersections into one roundabout at each end of the corridor would enhance these effects and could be expected to improve the safety of the corridor. In addition, the roundabouts would be expected to reduce overall speeds within the corridor. A period of adjustment would be anticipated for local drivers to become accustomed to navigating the roundabouts.

A conceptual safety analysis for no build, Option 1 and Option 2 was performed using the Highway Safety Manual (HSM) *Predictive Method for Rural Two-Lane, Two-Way Roads Analysis Spreadsheet*. The results shown in the table below indicate that Option 1 offers the greatest reduction in total and all types of crashes, although both Options 1 and 2 offer over 40% reduction in predicted crashes over the no build alternative.

| Scenario (2041 Design Year) | Predicted Average Crash Frequency (crashes/year) | | |
|--------------------------------|--|----------------|--------|
| | Total | Fatal & Injury | PDO |
| No Build | 18.321 | 7.607 | 10.714 |
| Option 1 | 9.377 | 3.571 | 5.806 |
| Option 2 | 10.832 | 4.379 | 6.453 |

The full HSM Evaluation Summary is located in Appendix G.

Bridge

Five bridge configurations were considered for Option 1. All five options provide a 36 ft roadway to accommodate two through lanes on Route 19. The roundabouts used with Option 1 do not require a center turn lane thus allowing a narrower structure compared to the other options. The cost estimates and bridge plan sheets are located in Appendix C and E, respectively. The bridge cost estimates include two roadway adjustments related to bridge length and structure depth. The base roadway estimate uses the structure length and depth from Option 1E. A cost adjustment is included with Options 1A, 1B, 1C and 1D to account for the change to a different bridge length or deeper superstructure.

The cost estimates assume drilled shaft foundations at the intermediate bents based upon the as-built structure plans and available soil data. During final design the subsurface investigation will determine if pile cap foundations are feasible. Additional information is needed to determine the drivability and length of H-piles. If feasible, pile foundations could offer cost savings compared to the assumed drilled shafts.

Bridge Option 1A uses MSE walls placed directly behind I-70 shoulder barriers to create the shortest bridge length. Bridge Option 1B uses MSE walls placed 30 ft clear of the nearest I-70 traffic lane to provide a clear zone and room for open channel drainage in front of the MSE Walls. Bridge Option 1C is a four-span configuration with spill slopes at the end bents to eliminate the MSE walls while providing a shallow structure depth. Bridge Options 1D (steel) and 1E (concrete) are two-span structures with spill slopes at the end bents to eliminate MSE walls while providing a two-span structure.

| Bridge Option | 1A | 1B | 1C | 1D | 1E |
|---------------------------|---|--|---|--|--|
| Bridge Width | 38'-8" | | | | |
| Roadway | 36' (2-12' Lanes, 2-6' Shoulders, 2-16" Type D Barriers) | | | | |
| Skew Angle | 34°-35'-10" | | | | |
| Span Configuration | 84.25'-84.25' | 104.25'-104.25' | 57'-80'-80'-57' | 137'-137' | 137'-137' |
| Bridge Length | 172'-9" | 212'-9" | 278'-3" | 278'-3" | 278'-3" |
| MSE Walls | At Each End Bent | At Each End Bent | None | None | None |
| Superstructure | 4-NU35 8.5" deck PS deck panels | 4-NU53 8.5" deck PS deck panels | 4-NU35 8.5" deck PS deck panels | 4-Painted Steel Plate Girders (54" web) 9.5" deck Steel SIP Forms | 5-NU70 9.5" deck PS deck panels |
| Structure Depth | 4'-3" | 5'-10" | 4'-3" | 6'-3" | 7'-6" |
| Expansion Joints | None | | | | |
| End Bents | Integral with Galvanized Steel Piles | | | | |
| Intermediate Bents | 3-column bents founded on Drilled Shafts with Rock Sockets | | | | |
| Benefits | Shallow depth. Shortest bridge. Lowest cost. | MSE Walls beyond clear zone. Open channel I-70 drainage. | Shallow depth. No MSE Walls. Improved sight lines. Open channel I-70 drainage. | No MSE Walls. Open I-70 Template. Lightweight. Improved sight lines. Open channel I-70 drainage. | No MSE Walls. Open I-70 Template. Improved sight lines. Open channel I-70 drainage. |
| Disadvantages | MSE Walls against I-70 Shoulder. I-70 Drainage thru MSE Wall. MSE Wall Maintenance. | Deeper structure. Longer bridge. MSE Wall Maintenance. | More intermediate bents. | Highest initial cost. High maintenance costs. | Deep Structure. |
| Cost with 20% Contingency | \$1,558,211 | \$1,695,879 | \$1,980,087 | \$2,222,448 | \$1,677,823 |
| % of Low Cost | 100% | 108.8% | 127.1% | 142.6% | 107.7% |

Bridge Options 1A, 1B and 1E are similar regarding the estimated construction costs. Bridge Option 1E is the preferred bridge configuration for Option 1. The primary benefit of Option 1E is the open I-70 template beneath the bridge which provides improved sight lines and allows for additional future expansion of I-70. Additionally, Option 1E has no MSE Walls to maintain and therefore no risk of wall damage from vehicle impact. Bridge Option 1A is not desirable due to increased maintenance caused by the risk of vehicle impact and the drainage included within the wall.

Environmental Considerations

A Conceptual Level Request for Environmental Services (RES) was completed on 6-11-2019 and is included with this document as Appendix F.

Potential Impacts are summarized below:

Farmland Impact

The Farmland Protection Policy Act will apply if any right of way or permanent easements are required outside of the New Florence city limits.

Floodplain/Regulatory Floodway

There are no impacts to floodplain or regulatory floodway with Option 1.

Stormwater/Water Quality

The project is outside the TW4 area.

FEMA/SEMA Buyout

According to the TMS FEMA buyout layer, there are no buyout sites in the vicinity of the project area.

Socioeconomic Impact

New right of way and easements will be subject to the Uniform Relocation Assistance and Real Property Acquisition Policies Act of 1970. Commercial and/or residential displacements will require further assessment to determine if there are any potential impacts to low-income and minority residents and business owners.

Threatened & Endangered Species

The following species listed in the Endangered Species Act Species List may be present in the project area: Running Buffalo Clover; Gray, Indiana and Northern Long-eared bats.

The potential existence of suitable bat roost trees for Option 1 may require compliance with the following conditions.

- Informal Rangewide Programmatic Agreement – Clearing of suitable bat habitat within 100-feet of an existing road (gravel or paved, including shoulders) shall be completed between November 1 to March 31. No mitigation required.
- Formal Rangewide Programmatic Agreement – Clearing of suitable bat habitat within 100-feet to 300-feet of an existing road shall be completed between November 1 to March 31. Clearing of suitable habitat between 100-feet to 300-feet is considered to have an adverse effect on bats; therefore, mitigation is required for the amount of suitable habitat cleared between 100-feet to 300-feet. The mitigation amount and ratio would be determined during the project development phase.
- Suitable habitat clearing beyond 300-foot from an existing road does not qualify under the established Programmatic Agreements. Mitigation will be required. The mitigation amount and ratio would be determined during the project development phase.

Migratory Birds

The existing bridge is a slab structure not conducive to nesting for migratory birds. No nests evident based on Google Earth street level imagery (7/2018).

Hazardous Waste Impact

The project location was reviewed utilizing the MDNR Interactive E-Start Map for the following types of sites: Superfund sites, Federal Facilities sites, Resource Conservation and Recovery Act Corrective Action sites, Brownfield/Voluntary Cleanup Program sites Brownfield Assessments, and Petroleum and Hazardous Substance Storage Tank Facilities. No such sites were found within the project area. Although the potential to encounter wastes from sites unknown to MoDOT should be a consideration, any previously unknown sites that are found during construction of the project will be handled in accordance with current laws and regulations.

Wetland Impact

There do not appear to be any impacts to streams or wetlands with Option 1 and no 404 permit would be required.

Noise Impact

Option 1 would likely be a Type III project and would not require a noise analysis.

Cultural Resources

The area around the Route 19/I-70 interchange encompassing all the options was included in several previous cultural resources surveys. There is one small and seemingly NRHP non-eligible site in the southwest quadrant southwest of the current outer road intersection with Route 19 that would require further evaluation. There are no other known archaeological concerns at this interchange.

Public Land Impact (Section 4f/6f)

There are no documented Section 4(f) or Section 6(f) resources in the vicinity of the project area. The nearest resource, the Danville Conservation Area (MDC) is about 2.5 miles southeast of the project area. However, the project should not restrict access to this resource. There are no impacts to public recreational lands with any of the options.

Existing Utilities

The following existing utilities responded to the locate tickets submitted to Missouri One Call:

- Ameren Missouri Electric
- ATT Distribution
- ATT Transmission
- Centurylink Fiber
- Charter Communications
- City of New Florence Muni Gas
- Kingdom Telephone
- MoDOT Northeast District
- MoDOT St. Louis District
- New Florence Telephone

Based on utilities marked in the field, there are potential conflicts with the following:

- MoDOT
- New Florence Telephone
- Centurylink Fiber
- Water line of unknown ownership
- Kingdom Telephone
- Centurylink Fiber
- ATT Transmission

The potential impacts to these utilities are similar between Options 1, 2 and 5.

Option 2

Constructability

The proposed alignment of Route 19 would allow the new bridge to be constructed off-line while maintaining traffic on existing Route 19. While the new bridge is being constructed, a temporary connection of Tree Farm Road/South Outer Road and Route 19 could be established to allow for construction of the majority of the roundabout. North of I-70, staging will have to be utilized at the Booneslick Road and Route 19 intersection. It is anticipated this option would require the least amount of temporary closures during construction.

Traffic Analysis

An initial traffic analysis investigated various traffic control options at the intersection with Tree Farm Road/South Outer Road. The evaluation determined that all-way stop control (AWSC) would result in LOS D for both the AM and PM including a LOS E at one approach. Similarly, a signalized intersection would operate at acceptable levels overall, but with a single approach at unacceptable levels during one peak period. It was determined that the intersection and all approaches would continue to operate at a high level of service (LOS B) in the design year with a roundabout. The intersection of Booneslick Road would remain in its existing configuration and under signalized control.

Because this alternative (relatively) mirrors the existing geometry, the traffic analysis additionally investigated alternatives for improving the future operations for the I-70 Ramp Terminal intersections as both intersections are expected to have either the ramp approach (eastbound ramps) or overall intersection (westbound ramps) at an unacceptable LOS during both peak hours by the Design Year (2041). It should be noted, however, that both ramps are expected to operate acceptably at the Construction Year (2021) and would be anticipated to deteriorate with the additional development forecasted by 2041. This investigation (included within the analysis results for Option 2) determined that a first step would be to add a dedicated (channelized) right-turn lane on the ramps. Therefore, this geometric change was incorporated into the future design plans where applicable. With additional development, however, this improvement alone may not maintain an acceptable LOS at the westbound ramp terminals. Therefore, it was determined that enhanced operational control via AWSC could achieve acceptable operations and be incorporated when necessary to achieve acceptable LOS. The tables in Appendix B note when

additional lanes and/or revised traffic control were incorporated into an alternative. For Option 2, additional lanes and AWSC at the ramp terminal intersections were necessary to achieve acceptable LOS.

Safety

Roundabouts have shown to improve intersection safety by reducing the number of conflict points at an intersection. These impacts would be less dramatic in Option 2 (vs. Option 1) but the potential to reduce the number of crashes and the speeds at the south end of the corridor exists.

A conceptual safety analysis was performed on the no build, Option 1 and Option 2. See discussion under Option 1 for details and Appendix G for the full HSM Evaluation Summary.

Bridge

Five bridge configurations were considered for Option 2. All five options provide a 56 ft roadway to accommodate two through lanes and a center turn lane on Route 19. A wider bridge is required to provide adequate sight distance for the turn movements at the I-70 ramps. This requirement results in the Option 2 structure being the widest structure compared to the other options. The cost estimates and bridge plan sheets are located in Appendix C and E, respectively. The bridge cost estimates include two roadway adjustments related to bridge length and structure depth. The base roadway estimate uses the structure length and depth from Option 2C. A cost adjustment is included with Options 2A, 2B, 2D and 2E to account for the change to a different bridge length or deeper superstructure.

The cost estimates assume drilled shaft foundations at the intermediate bents based upon the as-built structure plans and available soil data. During final design the subsurface investigation will determine if pile cap foundations are feasible. Additional information is needed to determine the drivability and length of H-piles. If feasible, pile foundations could offer cost savings compared to the assumed drilled shafts.

Bridge Option 2A uses MSE walls placed directly behind I-70 shoulder barriers to create the shortest bridge length. Bridge Option 2B uses MSE walls placed 30 ft clear of the nearest I-70 traffic lane to provide a clear zone and room for open channel drainage in front of the MSE Walls. Bridge Option 2C is a four-span configuration with spill slopes at the end bents to eliminate the MSE walls while providing a shallow structure depth. Bridge Options 2D (steel) and 2E (concrete) are two-span structures with spill slopes at the end bents to eliminate MSE walls while providing a two-span structure.

| Bridge Option | 2A | 2B | 2C | 2D | 2E |
|---------------------------|---|---|---|--|--|
| Bridge Width | 58'-8" | | | | |
| Roadway | 56' (2-12' Lanes, 1-12' Turn Lane, 2-10' Shoulders, 2-16" Type D Barriers) | | | | |
| Skew Angle | 33°-31'-03" | | | | |
| Span Configuration | 83'-83' | 103'-103' | 57'-80'-80'-57' | 137'-137' | 137'-137' |
| Bridge Length | 170'-2.5" | 210'-2.5" | 278'-2.5" | 278'-2.5" | 278'-2.5" |
| MSE Walls | At Each End Bent | At Each End Bent | None | None | None |
| Superstructure | 6-NU35 8.5" deck PS deck panels | 6-NU53 8.5" deck PS deck panels | 6-NU35 8.5" deck PS deck panels | 6-Painted Steel Plate Girders (54" web) 9.5" deck Steel SIP Forms | 7-NU70 9.5" deck PS deck panels |
| Structure Depth | 4'-5" | 6'-0" | 4'-5" | 6'-7" | 7'-8" |
| Expansion Joints | None | | | | |
| End Bents | Integral with Galvanized Steel Piles | | | | |
| Intermediate Bents | 4-column bents founded on Drilled Shafts with Rock Sockets | | | | |
| Benefits | Shallow depth. Shortest bridge. Lowest cost. | MSE Walls beyond clear zone. Open channel I-70 drainage. | Shallow depth. No MSE Walls. Improved sight lines. Open channel I-70 drainage. | No MSE Walls. Open I-70 Template. Lightweight. Improved sight lines. Open channel I-70 drainage. | No MSE Walls. Open I-70 Template. Improved sight lines. Open channel I-70 drainage. |
| Disadvantages | MSE Walls against I-70 Shoulder. I-70 Drainage thru MSE Wall. MSE Wall Maintenance. | Deeper structure. MSE Wall Maintenance. | More intermediate bents. | Highest initial cost. High maintenance costs. | Deep Structure. |
| Cost with 20% Contingency | \$2,095,021 | \$2,416,477 | \$2,701,928 | \$3,443,803 | \$2,702,602 |
| % of Low Cost | 100% | 115.3% | 129.0% | 164.4% | 129.0% |

Bridge Option 2A is the lowest estimated cost but is not the preferred option due to increased maintenance caused by the risk of vehicle impact and the drainage included within the MSE wall. Options 2C and 2E are nearly the same costs. Option 2C is preferable to Option 2E due to the profile raise which will reach into the existing intersections and complicate construction. Additionally, if pile foundations prove feasible, the cost of Option 2C will drop more than that of

Option 2E due to the number of intermediate bent foundations. Option 2B is less expensive than Option 2C based upon the estimated roadway cost differences in the bridge estimates. The bridge estimated roadway costs are slightly different than the detailed roadway estimates due to the items computed using percentages. This report includes itemized total project costs for Options 2B and 2C. Looking at those estimates, the total project costs for Options 2B and 2C are very close. Option 2C provides a more open template on I-70 which improves sight lines. Additionally, Option 2C eliminates maintenance risks associated with the MSE wall and potential vehicular impact. Therefore, Option 2C is considered the preferred structure for Option 2.

Environmental Considerations

The Conceptual Level Request for Environmental Services (RES) completed on 6-11-2019 revealed the Option 2 environmental considerations are the same as Option 1. See category descriptions listed under Option 1 and the full RES document in Appendix F.

Existing Utilities

The utility impacts for Option 2 are similar to Option 1. See discussion under Option 1 for utility information.

Option 5

Constructability

The proposed alignment of Route 19 would allow the new bridge to be constructed off-line while maintaining traffic on existing Route 19. However, this option would require an extended closure of the EB I-70 off ramp and Tree Farm Road/South Outer Road, west of Route 19, while the new elliptical roundabout is constructed. Staging would be utilized North of I-70 to reconstruct the WB I-70 ramp terminals and the Booneslick Road and Route 19 intersection.

Traffic Analysis

This option would revise the existing study corridor, most notably with the interruption of Tree Farm Road/South Outer Road between the roundabout and a new intersection. The new intersection would be created east of the proposed roundabout on Route 19 at Tree Farm Road/South Outer Road (Route 19 would connect those two nodes). The intersection with Booneslick Road would be reconstructed with the same geometry and signalized control. Tables 1 and 2 within Appendix B reflect the additional intersection for this Option. The five-legged roundabout operates at LOS C or better through Design Year (2041) and the new (TWSC) intersection at Tree Farm Road/South Outer Road (East) operates at LOS A through 2041.

Per the analysis of the future ramp terminal intersections discussed under Option 2, the geometry for this Option included at the Westbound I-70 Ramp terminal intersection a left-turn lane for the northbound approach, a right-turn lane for the westbound approach, and AWSC.

Safety

This option would also be expected to reduce speeds and the potential for intersection crashes with the incorporation of a roundabout. However, the atypical roundabout shape and realignment of Route 19 and Tree Farm Road/South Outer Road may incur additional adjustment time for drivers. Although the roundabout merges the Eastbound I-70 Ramp terminal intersection and Tree Farm Road/South Outer Road (west of Route 19), it introduces a new intersection at Tree Farm Road/South Outer Road (east of Route 19) and Route 19, so the number of intersections is not reduced overall as with Option 1.

Bridge

Three bridge configurations were considered for Option 5. All three options provide a 48 ft roadway to accommodate two through lanes and a center turn lane on Route 19. The cost estimates and bridge plan sheets are located in Appendix C and E, respectively. The bridge cost estimates include two roadway adjustments related to bridge length and structure depth. The base roadway estimate uses the structure length and depth from Option 5A. A cost adjustment is included with Options 5B and 5C to account for the change to a different bridge length or deeper superstructure.

The cost estimates assume drilled shaft foundations at the intermediate bents based upon the as-built structure plans and available soil data. During final design the subsurface investigation will determine if pile cap foundations are feasible. Additional information is needed to determine the drivability and length of H-piles. If feasible, pile foundations could offer cost savings compared to the assumed drilled shafts.

Bridge Option 5A uses MSE walls placed directly behind I-70 shoulder barriers to create the shortest bridge length. Bridge Option 5B uses MSE walls placed 30 ft clear of the nearest I-70 traffic lane to provide a clear zone and room for open channel drainage in front of the MSE Walls. Bridge Option 5C is a three-span configuration with spill slopes at the north end bent and an MSE wall at the south end bent. All Option 5 bridge configurations use an MSE wall at the south end bent because the ramp profile will be raised significantly. The wall is required due to insufficient space to use spill slopes along the raised ramp.

| Bridge Option | 5A | 5B | 5C |
|--------------------|---|---------------------------------------|---------------------------------------|
| Bridge Width | 50'-8" | | |
| Roadway | 48' (2-12' Lanes, 1-12' Turn Lane, 2-6' Shoulders, 2-16" Type D Barriers) | | |
| Skew Angle | 4°-03'-03" | | |
| Span Configuration | 70'-70' | 86'-86' | 64'-70'-70' |
| Bridge Length | 143'-6" | 175'-6" | 207'-6" |
| MSE Walls | At Each End Bent | At Each End Bent | At South End Bent |
| Superstructure | 5-NU35 8.5" deck PS deck panels | 5-NU43 8.5" deck PS deck panels | 5-NU35 8.5" deck PS deck panels |
| Structure Depth | 4'-4" | 5'-0" | 4'-4" |
| Expansion Joints | None | | |
| End Bents | Integral with Galvanized Steel Piles | | |

| Bridge Option | 5A | 5B | 5C |
|---------------------------|--|---|--|
| Intermediate Bents | 3-column bents founded on Drilled Shafts with Rock Sockets | | |
| Benefits | Shallow depth. Shortest bridge. Lowest cost. | MSE Walls beyond clear zone. Open channel I-70 drainage. | Shallow depth. No MSE Wall at north end. Open channel I-70 drainage. |
| Disadvantages | MSE Walls against I-70 Shoulder. I-70 Drainage thru MSE Wall. | Deeper structure. | Longest bridge. More intermediate bents. |
| Cost with 20% Contingency | \$1,460,211 | \$1,554,695 | \$1,685,686 |
| % of Low Cost | 100% | 106.3% | 116.7% |

Bridge Option 5B is the recommended bridge configuration for Option 5. The primary benefits of Option 5B are the wider I-70 template, the reduced risk of MSE Wall maintenance due to vehicular impact and the open channel drainage in front of the walls. Bridge Option 5A is the lowest estimated cost but is not the preferred option due to increased maintenance caused by the risk of vehicle impact and the drainage included within the wall.

Environmental Considerations

The Conceptual Level Request for Environmental Services (RES) completed on 6-11-2019 revealed the Option 5 environmental considerations are the same as Option 1. See category descriptions listed under Option 1 and the full RES document in Appendix F.

Existing Utilities

The utility impacts for Option 5 are similar to Option 1. See discussion under Option 1 for utility information.

Option 7

Constructability

The proposed alignment of Route 19 would allow the new bridge to be constructed off-line while maintaining traffic on existing Route 19. Furthermore, all ramps and outer roads are relocated which allows the existing system to remain open while most of the construction is completed. However, this option has a much larger footprint than any other option and would likely take much longer to construct.

Traffic Analysis

An interesting outcome of this proposed geometry is that, with additional separation, the intersections operate at somewhat higher LOS than in the No-Build scenario. Most notably, the intersection of Booneslick Road/North Outer Road could be expected to function at an acceptable

LOS through the Design Year (2041) under AWSC – eliminating a signal from the corridor (assuming the inclusion of northbound and southbound auxiliary turn lanes).

Safety

Option 7 would be expected to have the least impacts to corridor safety. The reduction in lanes, conversion to stop control, and increased approach distances could be expected to improve safety slightly at the Booneslick Road/North Outer Road intersection. Similarly approach distances would increase for the Tree Farm Road/South Outer Road intersection. Little else would change geometrically versus the existing corridor.

Bridge

Five bridge configurations were considered for Option 7. All five options provide a 48 ft roadway to accommodate two through lanes and a center turn lane on Route 19. The cost estimates and bridge plan sheets are located in Appendix C and E, respectively. The bridge cost estimates include two roadway adjustments related to bridge length and structure depth. The base roadway estimate uses the structure length and depth from Option 7C. A cost adjustment is included with Options 7A, 7B, 7D and 7E to account for the change to a different bridge length or deeper superstructure.

The cost estimates assume drilled shaft foundations at the intermediate bents based upon the as-built structure plans and available soil data. During final design the subsurface investigation will determine if pile cap foundations are feasible. Additional information is needed to determine the drivability and length of H-piles. If feasible, pile foundations could offer cost savings compared to the assumed drilled shafts.

Bridge Option 7A uses MSE walls placed directly behind I-70 shoulder barriers to create the shortest bridge length. Bridge Option 7B uses MSE walls placed 30 ft clear of the nearest I-70 traffic lane to provide a clear zone and room for open channel drainage in front of the MSE Walls. Bridge Option 7C is a four-span configuration with spill slopes at the end bents to eliminate the MSE walls while providing a shallow structure depth. Bridge Options 7D (steel) and 7E (concrete) are two-span structures with spill slopes at the end bents to eliminate MSE walls while providing a two-span structure.

| Bridge Option | 7A | 7B | 7C | 7D | 7E |
|--------------------|---|------------------|-----------------|-------------|-------------|
| Bridge Width | 50'-8" | | | | |
| Roadway | 48' (2-12' Lanes, 1-12' Turn Lane, 2-6' Shoulders, 2-16" Type D Barriers) | | | | |
| Skew Angle | 28°-17'-53" | | | | |
| Span Configuration | 78.75'-78.75' | 97.5'-97.5' | 57'-80'-80'-57' | 137'-137' | 137'-137' |
| Bridge Length | 161'-5.75" | 198'-11.75" | 277'-11.75" | 277'-11.75" | 277'-11.75" |
| MSE Walls | At Each End Bent | At Each End Bent | None | None | None |

| Bridge Option | 7A | 7B | 7C | 7D | 7E |
|---------------------------|---|---|---|--|--|
| Superstructure | 5-NU35 8.5" deck PS deck panels | 5-NU43 8.5" deck PS deck panels | 5-NU35 8.5" deck PS deck panels | 5-Painted Steel Plate Girders (60" web) 9.5" deck Steel SIP Forms | 6-NU70 9.5" deck PS deck panels |
| Structure Depth | 4'-4" | 5'-0" | 4'-4" | 7'-0" | 7'-7" |
| Expansion Joints | None | | | | |
| End Bents | Integral with Galvanized Steel Piles | | | | |
| Intermediate Bents | 3-column bents founded on Drilled Shafts with Rock Sockets | | | | |
| Benefits | Shallow depth. Shortest bridge. Lowest cost. | MSE Walls beyond clear zone. Open channel I-70 drainage. | Shallow depth. No MSE Walls. Improved sight lines. Open channel I-70 drainage. | No MSE Walls. Open I-70 Template. Lightweight. Improved sight lines. Open channel I-70 drainage. | No MSE Walls. Open I-70 Template. Improved sight lines. Open channel I-70 drainage. |
| Disadvantages | MSE Walls against I-70 Shoulder. I-70 Drainage thru MSE Wall. MSE Wall Maintenance. | Deeper structure. MSE Wall Maintenance. | More intermediate bents. | Highest initial cost. High maintenance costs. | Deep Structure. |
| Cost with 20% Contingency | \$1,788,323 | \$1,898,930 | \$2,261,067 | \$2,958,620 | \$2,282,657 |
| % of Low Cost | 100% | 106.2% | 126.4% | 165.4% | 127.6% |

Bridge Option 7B is the recommended bridge configuration for Option 7. The primary benefits of Option 7B are the low cost combined with a wider I-70 template, the reduced risk of MSE Wall maintenance due to vehicular impact and the open channel drainage in front of the walls. Bridge Option 7A is the lowest estimated cost but is not the preferred option due to increased maintenance caused by the risk of vehicle impact and the drainage included within the wall.

Environmental Considerations

A Conceptual Level Request for Environmental Services (RES) was completed on 6-11-2019 and is included with this document as Appendix F.

Potential Impacts are summarized below:

Farmland Impact

The Farmland Protection Policy Act will apply if any right of way or permanent easements are required outside of the New Florence city limits.

Floodplain/Regulatory Floodway

Option 7 could encroach upon the Zone A 100-year floodplain of Smith Branch, located east of Route 19, at Coop Road and I-70. Based on the type of work and right of way impacts, a floodplain development permit from SEMA may be required. There are no areas of regulatory floodway within any of the options.

Stormwater/Water Quality

The project is outside the TW4 area.

FEMA/SEMA Buyout

According to the TMS FEMA buyout layer, there are no buyout sites in the vicinity of the project area.

Socioeconomic Impact

New right of way and easements will be subject to the Uniform Relocation Assistance and Real Property Acquisition Policies Act of 1970. Commercial and/or residential displacements will require further assessment to determine if there are any potential impacts to low-income and minority residents and business owners.

Threatened & Endangered Species

The following species listed in the Endangered Species Act Species List may be present in the project area: Running Buffalo Clover; Gray, Indiana and Northern Long-eared bats.

The potential presence of Running Buffalo Clover along Smith Branch is possible for Option 7. No records in the project area indicate its presence; however, a field check along Smith Branch will be necessary for Option 7.

Due to the significantly higher amounts of tree clearing required for Option 7, mitigation for tree clearing is anticipated. The potential existence of suitable bat roost trees for Option 7 will require compliance with the following conditions.

- Informal Rangelwide Programmatic Agreement – Clearing of suitable bat habitat within 100-feet of an existing road (gravel or paved, including shoulders) shall be completed between November 1 to March 31. No mitigation required.
- Formal Rangelwide Programmatic Agreement – Clearing of suitable bat habitat within 100-feet to 300-feet of an existing road shall be completed between November 1 to March 31. Clearing of suitable habitat between 100-feet to 300-feet is considered to have an adverse effect on bats; therefore, mitigation is required for the amount of suitable habitat cleared between 100-feet to 300-feet. The mitigation amount and ratio would be determined during the project development phase.

- Suitable habitat clearing beyond 300-foot from an existing road does not qualify under the established Programmatic Agreements. Mitigation will be required. The mitigation amount and ratio would be determined during the project development phase.

Wetland Impacts

Option 7 will impact Smith Branch and a mapped emergent wetland in the northwest quadrant of the option. A field check will be required to determine if the wetland is jurisdictional. A Section 404 permit will be necessary to address stream and wetland impacts.

Noise Impact

Depending on the improvements, this option may meet the criteria of a Type I project, which requires a noise study. It is unlikely there will be impacts since the study area doesn't appear to have noise sensitive receptors.

Cultural Resources

The area around the Route 19/I-70 interchange encompassing all the options was included in several previous cultural resources surveys. There is one small and seemingly NRHP non-eligible site in the southwest quadrant southwest of the current outer road intersection with Route 19 that would require further evaluation. There are no other known archaeological concerns at this interchange.

Existing Utilities

See Option 1 for discussion regarding utility impacts. Option 7 extends beyond the utility locates conducted for the project analysis. Additional utility impacts are anticipated for Option 7, but the extent of the impacts are unknown outside the immediate interchange area.

Estimated Cost

The estimated costs for the four alternatives are tabulated in Appendix C. Right-of-way cost estimates were provided for Option 1 and Option 2. These estimates were used to approximate a cost for Option 5 and Option 7 to provide a similar comparison in the table below. Table 1 is a summary of the estimated total project cost in 2019 dollars.

Table 1. Total Estimated Project Costs

| Alternate | Option 1 with Bridge 1E | Option 2 with Bridge 2C | Option 5 with Bridge 5B | Option 7 with Bridge 7B |
|--|-------------------------|-------------------------|-------------------------|-------------------------|
| Total Estimated Project Cost (2019 USD) | \$9,715,800 | \$9,779,300 | \$9,448,300 | \$25,670,900 |
| % of Low Cost | 102.8% | 103.5% | 100.0% | 271.7% |
| LOS AM/PM 2021 (2041) Intersection with Route 19 | | | | |
| Tree Farm Road | A/A (B/B) Roundabout | A/A (B/B) Roundabout | B/A (C/C) Roundabout | B/B (C/B) AWSC |
| Eastbound Ramps | | A/A (C/B) Ramp SC/AWSC | | A/A (C/B) TWSC |
| Westbound Ramps | B/B (C/C) Roundabout | A/A (B/C) Ramp SC/AWSC | A/A (B/C) AWSC | A/A (B/C) TWSC |
| Booneslick Road | | A/B (B/B) Signalized | A/B (B/B) Signalized | B/C (B/C) TWSC (AWSC) |

Recommendation

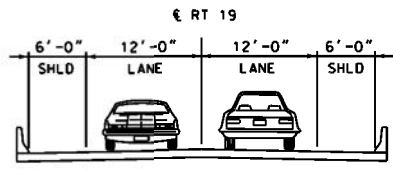
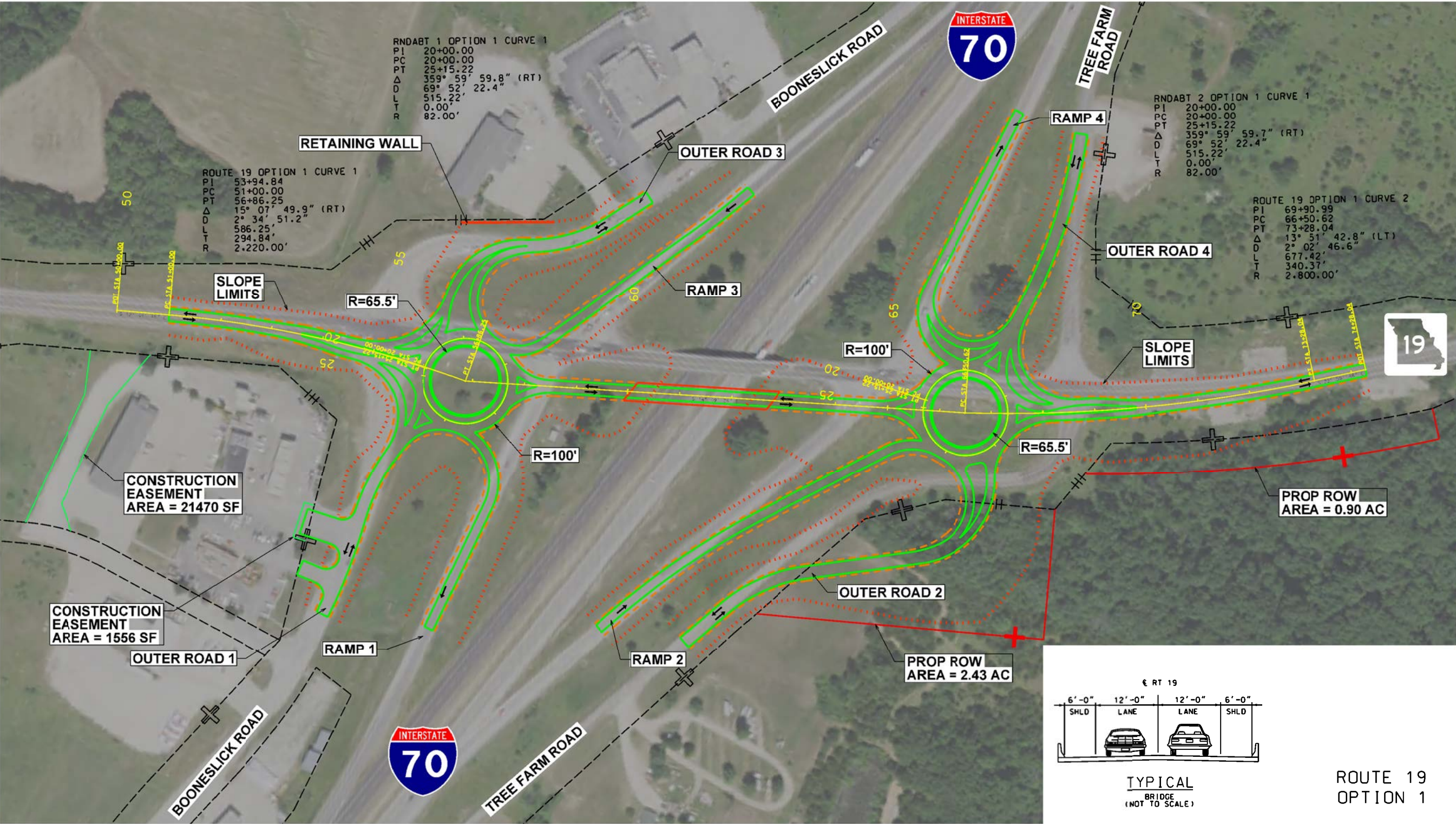
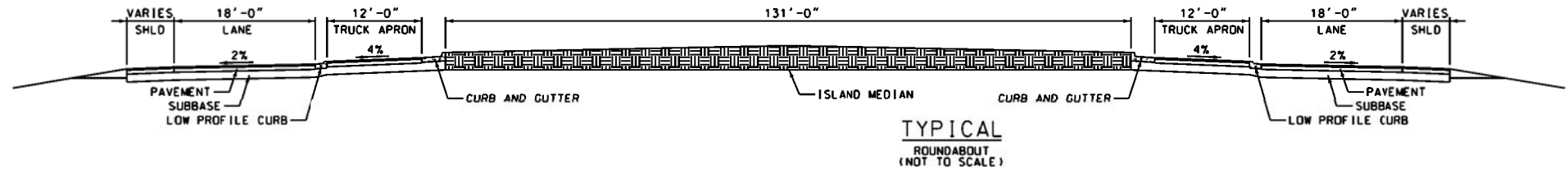
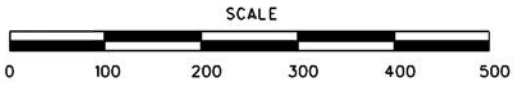
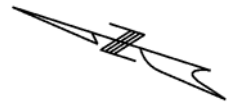
Based on the evaluation of the options discussed in this report, the Core Team selected Option 1 with Bridge 1E as the recommended option for this location.

Option 1 was selected due to the safety improvements it provides, the projected long-term operational performance, and reduced maintenance due to the removal of the existing signal and narrower bridge width.

Bridge Option 1E is the selected bridge configuration. The primary benefit is the open I-70 template beneath the bridge which provides improved sight lines, open channel drainage, and allows for future expansion of I-70. Additionally, Option 1E has no MSE Walls to maintain and therefore no risk of wall damage from vehicle impact.

Appendix A

Alternatives Exhibits



ROUTE 19 OPTION 1

"THIS MEDIA SHOULD NOT BE CONSIDERED A CERTIFIED DOCUMENT."

DATE PREPARED
09-JAN-2020

ROUTE **19** STATE **MO**

DISTRICT **NE** SHEET NO.

COUNTY **MONTCOMERY**

JOB NO. **J2P3090**

CONTRACT ID.

PROJECT NO.

BRIDGE NO.

DESCRIPTION

DATE

MISSOURI HIGHWAYS AND TRANSPORTATION COMMISSION

MoDOT

105 WEST CAPITOL JEFFERSON CITY, MO 65102

1-888-ASK-MODOT (1-888-275-6636)

JACOBS

JACOBS ENGINEERING GROUP

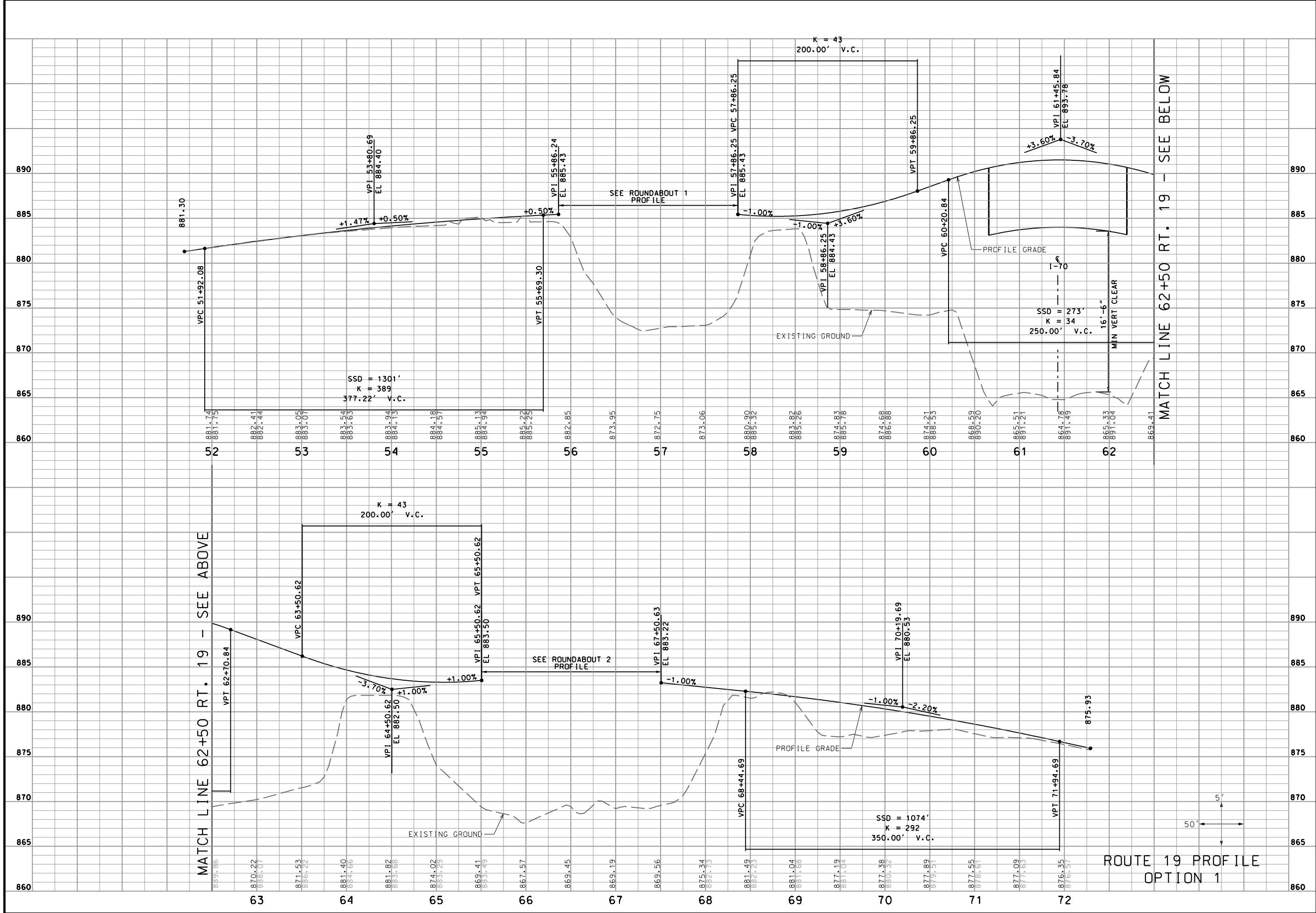
501 NORTH BROADWAY

ST. LOUIS, MISSOURI 63102-2121

PHONE: (314) 335-4000

CERTIFICATE OF AUTHORITY #00704

IF A SEAL IS PRESENT ON THIS SHEET IT HAS BEEN ELECTRONICALLY SEALED AND DATED.



JACOBS
 JACOBS ENGINEERING GROUP
 501 NORTH BROADWAY
 ST. LOUIS, MISSOURI 63102-2121
 PHONE: (314) 335-4000
 CERTIFICATE OF AUTHORITY #00704

MISSOURI HIGHWAYS AND TRANSPORTATION COMMISSION
 105 WEST CAPITOL
 JEFFERSON CITY, MO 65102
 1-888-ASK-MODOT (1-888-275-6636)

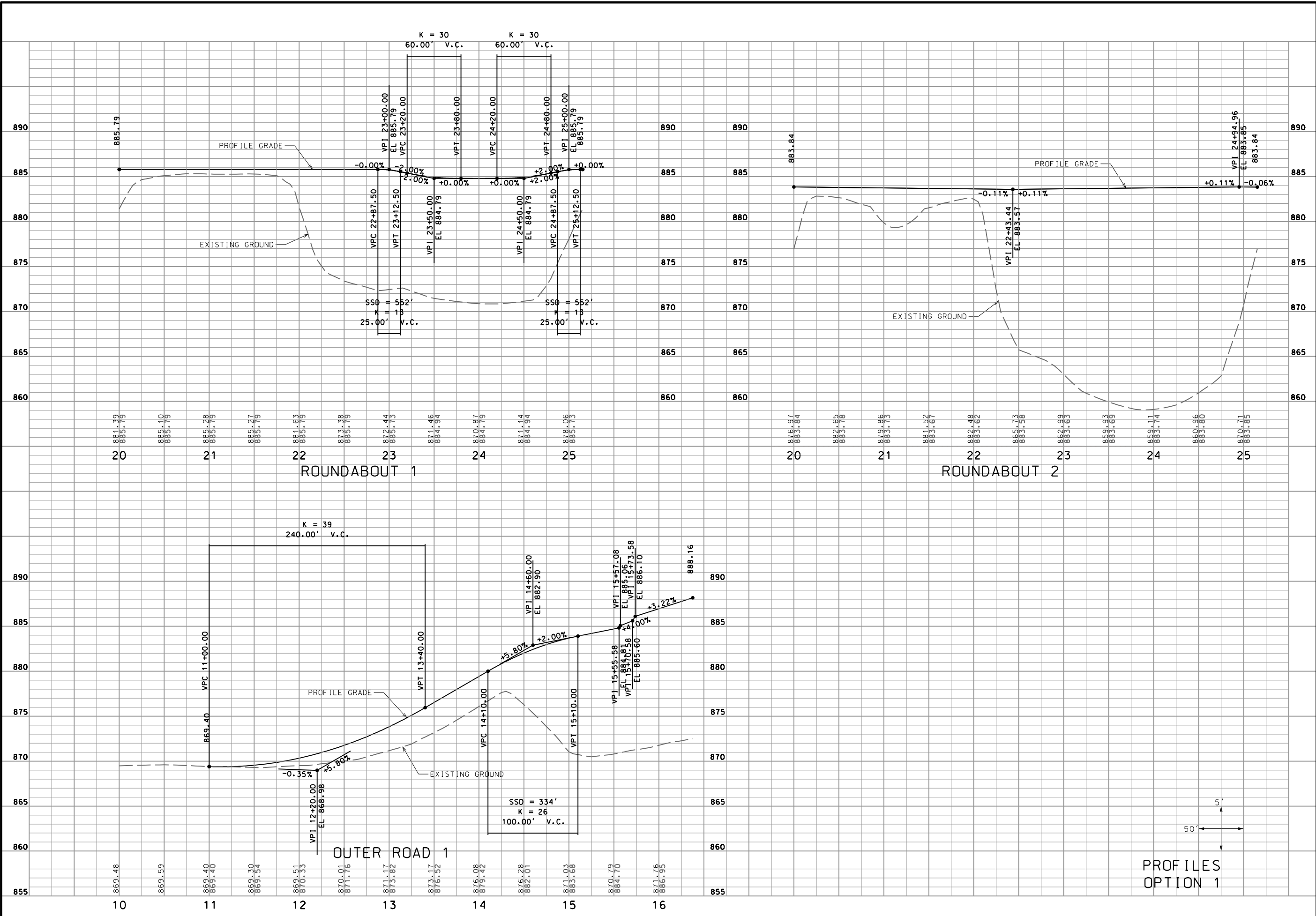
DATE
DESCRIPTION

PROJECT INFORMATION:
 COUNTY: **MONTCOMERY**
 JOB NO.: **J2P3090**
 CONTRACT ID:
 PROJECT NO.:
 BRIDGE NO.:

DATE PREPARED: 12-SEP-2019
ROUTE: 19 **STATE:** MO
DISTRICT: NE **SHEET NO.:**

"THIS MEDIA SHOULD NOT BE CONSIDERED A CERTIFIED DOCUMENT."

IF A SEAL IS PRESENT ON THIS SHEET IT HAS BEEN ELECTRONICALLY SEALED AND DATED.



"THIS MEDIA SHOULD NOT BE CONSIDERED A CERTIFIED DOCUMENT."

| | |
|-------------------------------------|--------------------|
| DATE PREPARED 12-SEP-2019 | |
| ROUTE 19 | STATE MO |
| DISTRICT NE | SHEET NO. |
| COUNTY MONTCOMERY | |
| JOB NO. J2P3090 | |
| CONTRACT ID. | |
| PROJECT NO. | |
| BRIDGE NO. | |

| DATE | DESCRIPTION |
|------|-------------|
| | |
| | |
| | |
| | |
| | |

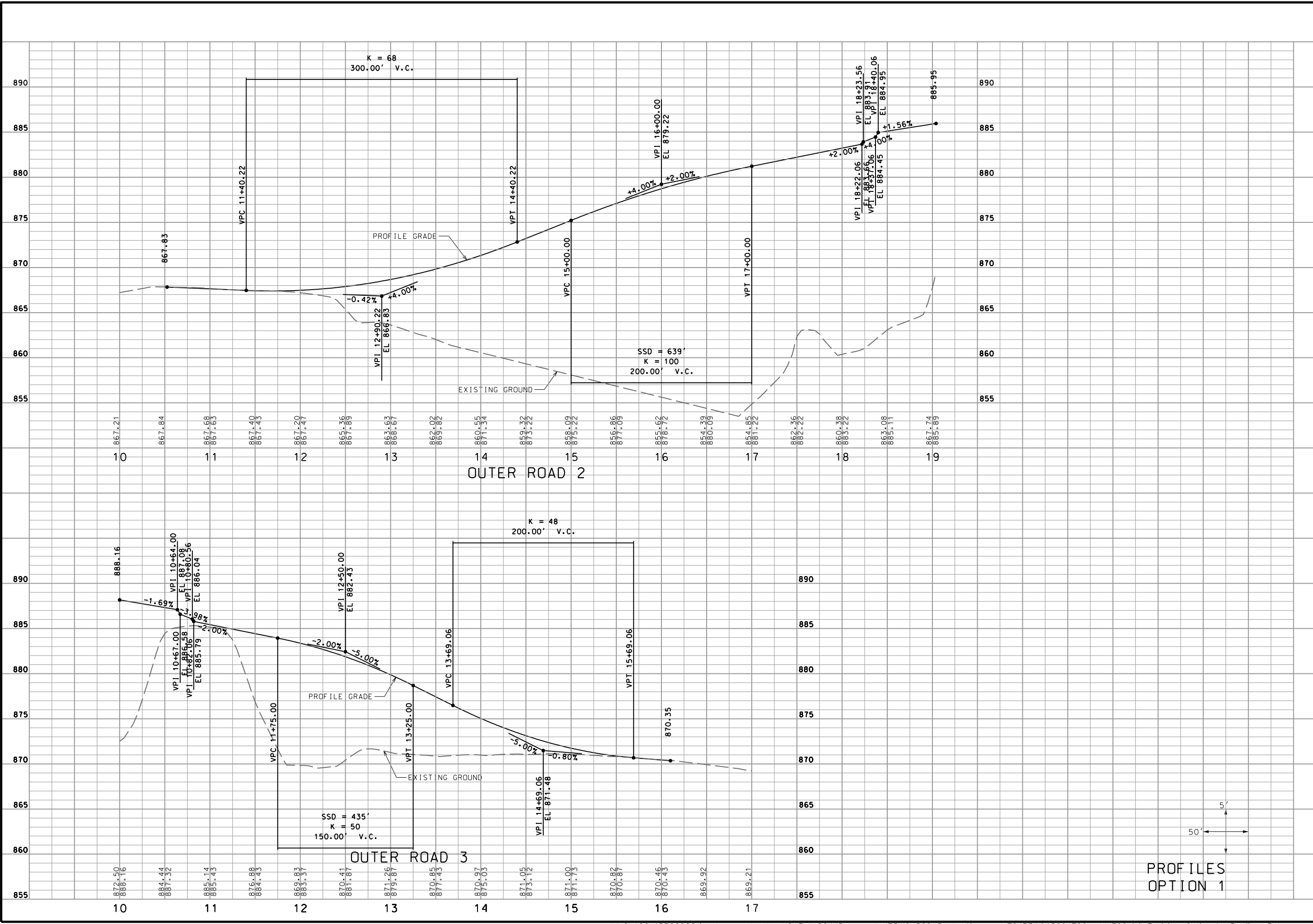
MISSOURI HIGHWAYS AND TRANSPORTATION COMMISSION

105 WEST CAPITOL
JEFFERSON CITY, MO 65102
1-888-ASK-MODOT (1-888-275-6636)

JACOBS ENGINEERING GROUP
501 NORTH BROADWAY
ST. LOUIS, MISSOURI 63102-2121
PHONE: (314) 335-4000
CERTIFICATE OF AUTHORITY #00704

PROFILES
OPTION 1

IF A SEAL IS PRESENT ON THIS SHEET IT HAS BEEN ELECTRONICALLY SEALED AND DATED.



"THIS MEDIA SHOULD NOT BE CONSIDERED A CERTIFIED DOCUMENT."

| | |
|------------------------------|-------------|
| DATE PREPARED 12-SEP-2019 | |
| ROUTE 19 | STATE MO |
| DISTRICT NE | SHEET NO. |
| COUNTY MONTGOMERY | |
| JOB NO. J2P3090 | |
| CONTRACT ID. | |
| PROJECT NO. | |
| BRIDGE NO. | |

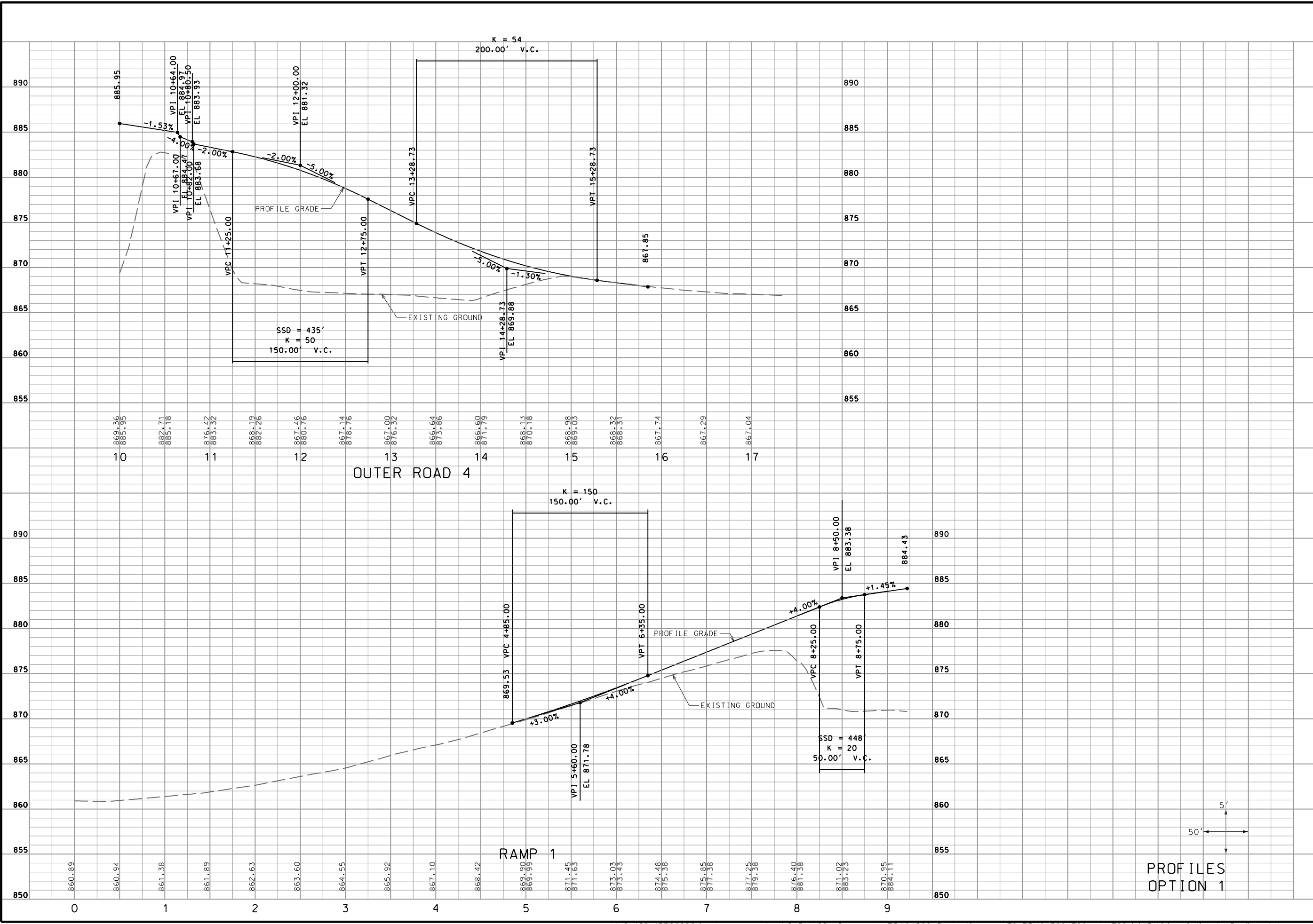
| DATE | DESCRIPTION |
|------|-------------|
| | |
| | |
| | |
| | |
| | |

MISSOURI HIGHWAYS AND TRANSPORTATION COMMISSION

105 WEST CAPITOL
JEFFERSON CITY, MO 65102
1-888-ASK-MODOT (1-888-275-6636)

JACOBS ENGINEERING GROUP
501 NORTH BROADWAY
ST. LOUIS, MISSOURI 63102-2121
PHONE: (314) 335-4000
CERTIFICATE OF AUTHORITY #00704

IF A SEAL IS PRESENT ON THIS SHEET IT HAS BEEN ELECTRONICALLY SEALED AND DATED.



"THIS MEDIA SHOULD NOT BE CONSIDERED A CERTIFIED DOCUMENT."

| | |
|-------------------------------------|--------------------|
| DATE PREPARED 12-SEP-2019 | |
| ROUTE 1-9 | STATE MO |
| DISTRICT NE | SHEET NO. |
| COUNTY MONTEGOMERY | |
| JOB NO. J2P3090 | |
| CONTRACT ID. | |
| PROJECT NO. | |
| BRIDGE NO. | |

| DATE | DESCRIPTION |
|------|-------------|
| | |
| | |
| | |
| | |
| | |

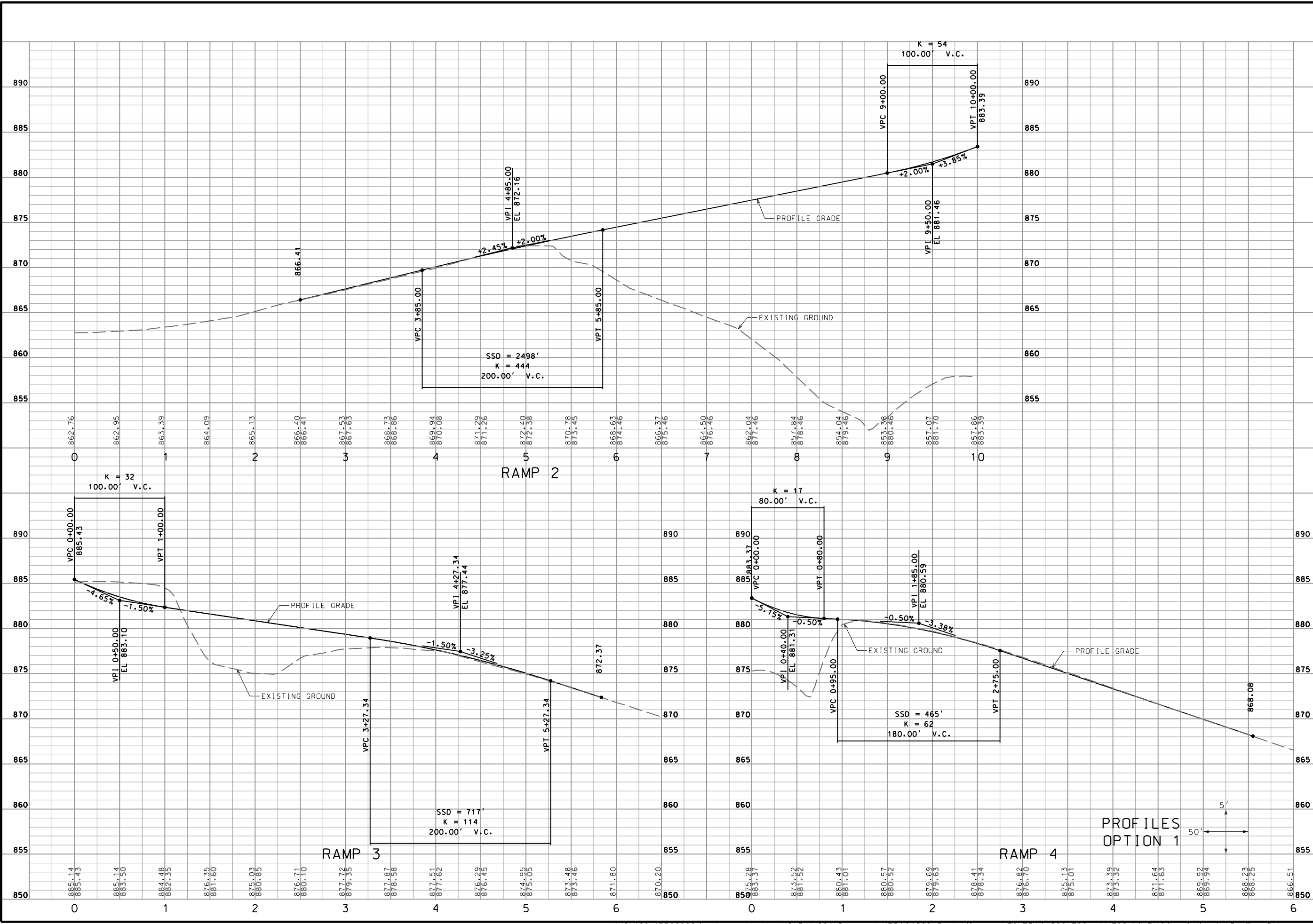
MISSOURI HIGHWAYS AND TRANSPORTATION COMMISSION

105 WEST CAPITOL
JEFFERSON CITY, MO 65102
1-888-ASK-MODOT (1-888-275-6636)

JACOBS

JACOBS ENGINEERING GROUP
501 NORTH BROADWAY
ST. LOUIS, MISSOURI 63102-2121
PHONE: (314) 335-4000
CERTIFICATE OF AUTHORITY #00704

IF A SEAL IS PRESENT ON THIS SHEET IT HAS BEEN ELECTRONICALLY SEALED AND DATED.



"THIS MEDIA SHOULD NOT BE CONSIDERED A CERTIFIED DOCUMENT."

| | |
|------------------------------|-------------|
| DATE PREPARED 12-SEP-2019 | |
| ROUTE 1-9 | STATE MO |
| DISTRICT NE | SHEET NO. |
| COUNTY MONTGOMERY | |
| JOB NO. J2P3090 | |
| CONTRACT ID. | |
| PROJECT NO. | |
| BRIDGE NO. | |

| DATE | DESCRIPTION |
|------|-------------|
| | |
| | |
| | |
| | |
| | |

MISSOURI HIGHWAYS AND TRANSPORTATION COMMISSION

105 WEST CAPITOL
JEFFERSON CITY, MO 65102
1-888-ASK-MODOT (1-888-275-6636)

JACOBS ENGINEERING GROUP
501 NORTH BROADWAY
ST. LOUIS, MISSOURI 63102-2121
PHONE: (314) 335-4000
CERTIFICATE OF AUTHORITY #00704

IF A SEAL IS PRESENT ON THIS SHEET IT HAS BEEN ELECTRONICALLY SEALED AND DATED.

"THIS MEDIA SHOULD NOT BE CONSIDERED A CERTIFIED DOCUMENT."

DATE PREPARED
09-JAN-2020

ROUTE 19 STATE MO

DISTRICT NE SHEET NO.

COUNTY
MONTGOMERY

JOB NO.
J2P3090

CONTRACT ID.

PROJECT NO.

BRIDGE NO.

| DATE | DESCRIPTION |
|------|-------------|
| | |
| | |
| | |
| | |
| | |
| | |
| | |
| | |
| | |

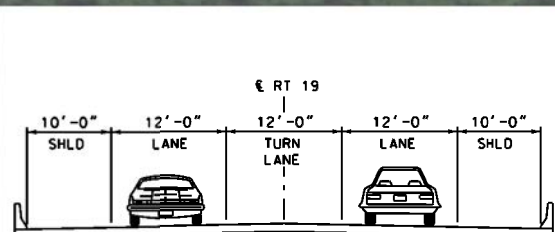
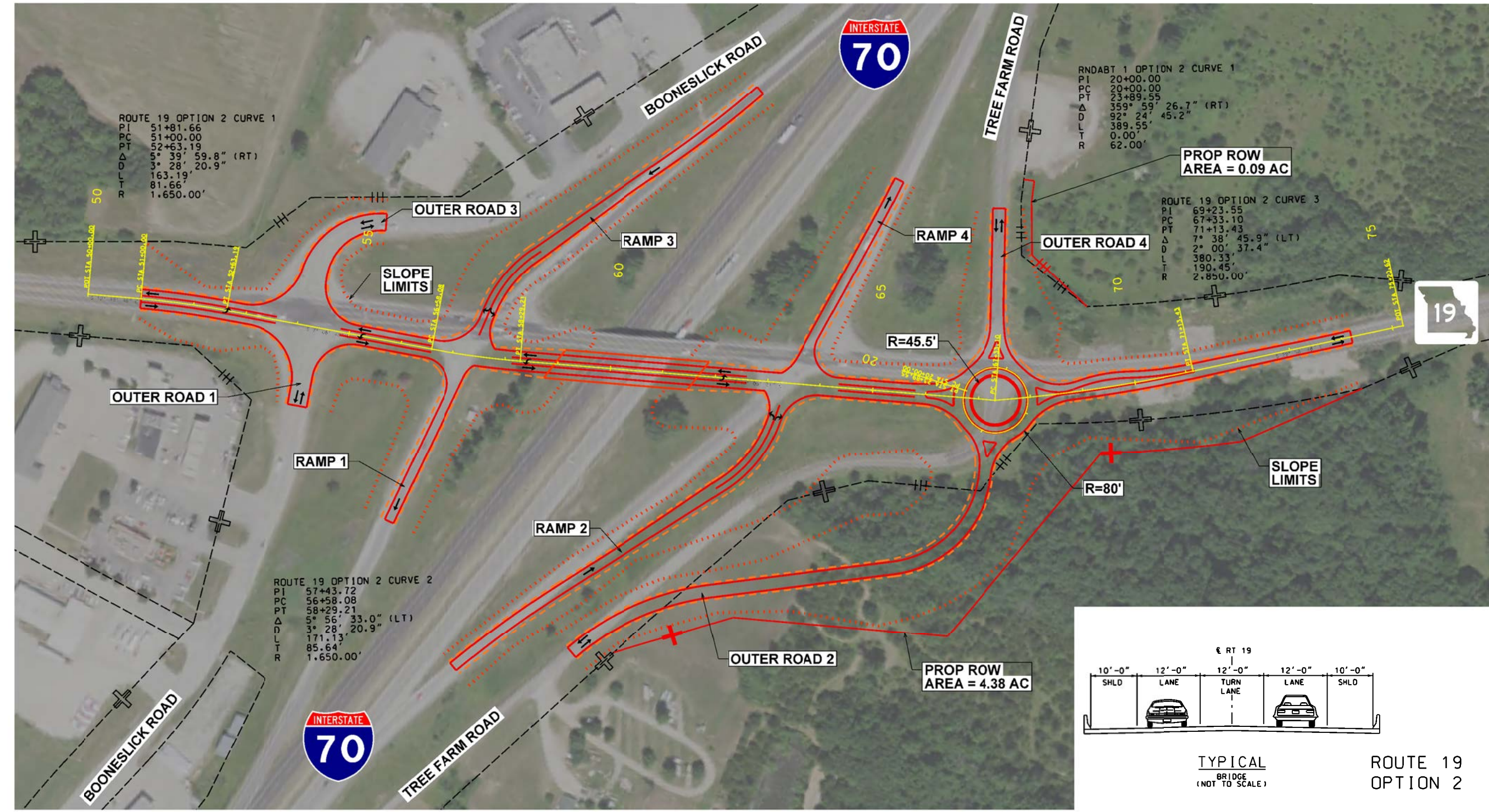
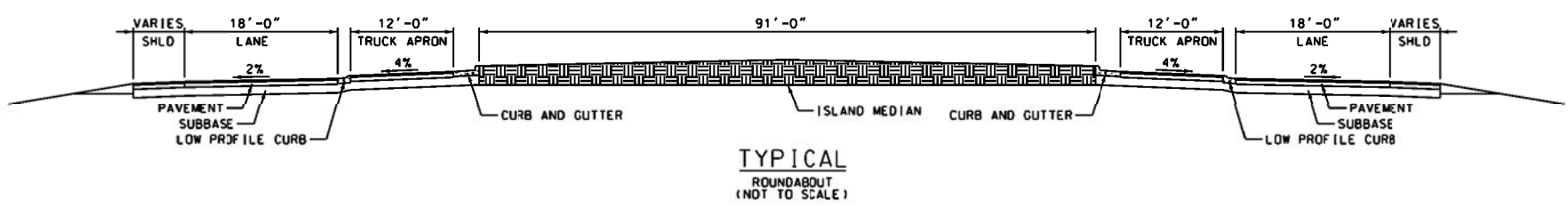
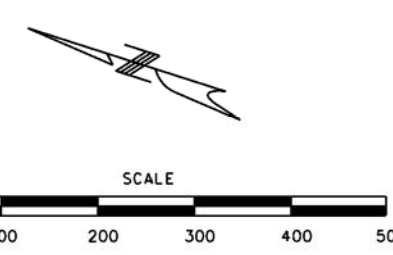
MISSOURI HIGHWAYS AND TRANSPORTATION COMMISSION

MoDOT

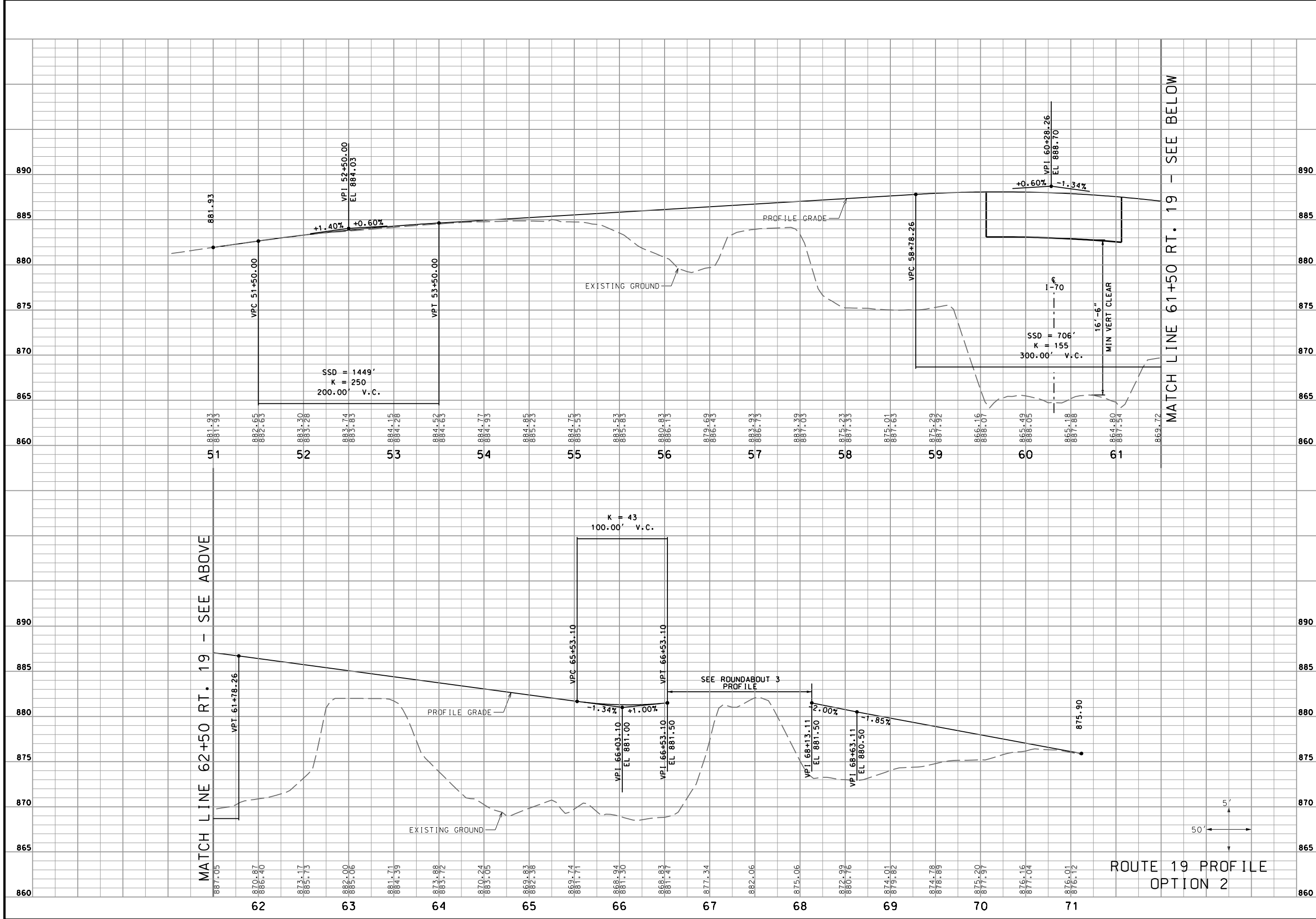
105 WEST CAPITOL
JEFFERSON CITY, MO 65102
1-888-ASK-MODOT (1-888-275-6636)

JACOBS

JACOBS ENGINEERING GROUP
501 NORTH BROADWAY
ST. LOUIS, MISSOURI 63102-2121
PHONE: (314) 335-4000
CERTIFICATE OF AUTHORITY #00704



TYPICAL BRIDGE (NOT TO SCALE) ROUTE 19 OPTION 2



"THIS MEDIA SHOULD NOT BE CONSIDERED A CERTIFIED DOCUMENT."

| | |
|-------------------------------------|--------------------|
| DATE PREPARED 13-SEP-2019 | |
| ROUTE 19 | STATE MO |
| DISTRICT NE | SHEET NO. |
| COUNTY MONTCOMERY | |
| JOB NO. J2P3090 | |
| CONTRACT ID. | |
| PROJECT NO. | |
| BRIDGE NO. | |

| DATE | DESCRIPTION |
|------|-------------|
| | |
| | |
| | |
| | |
| | |
| | |

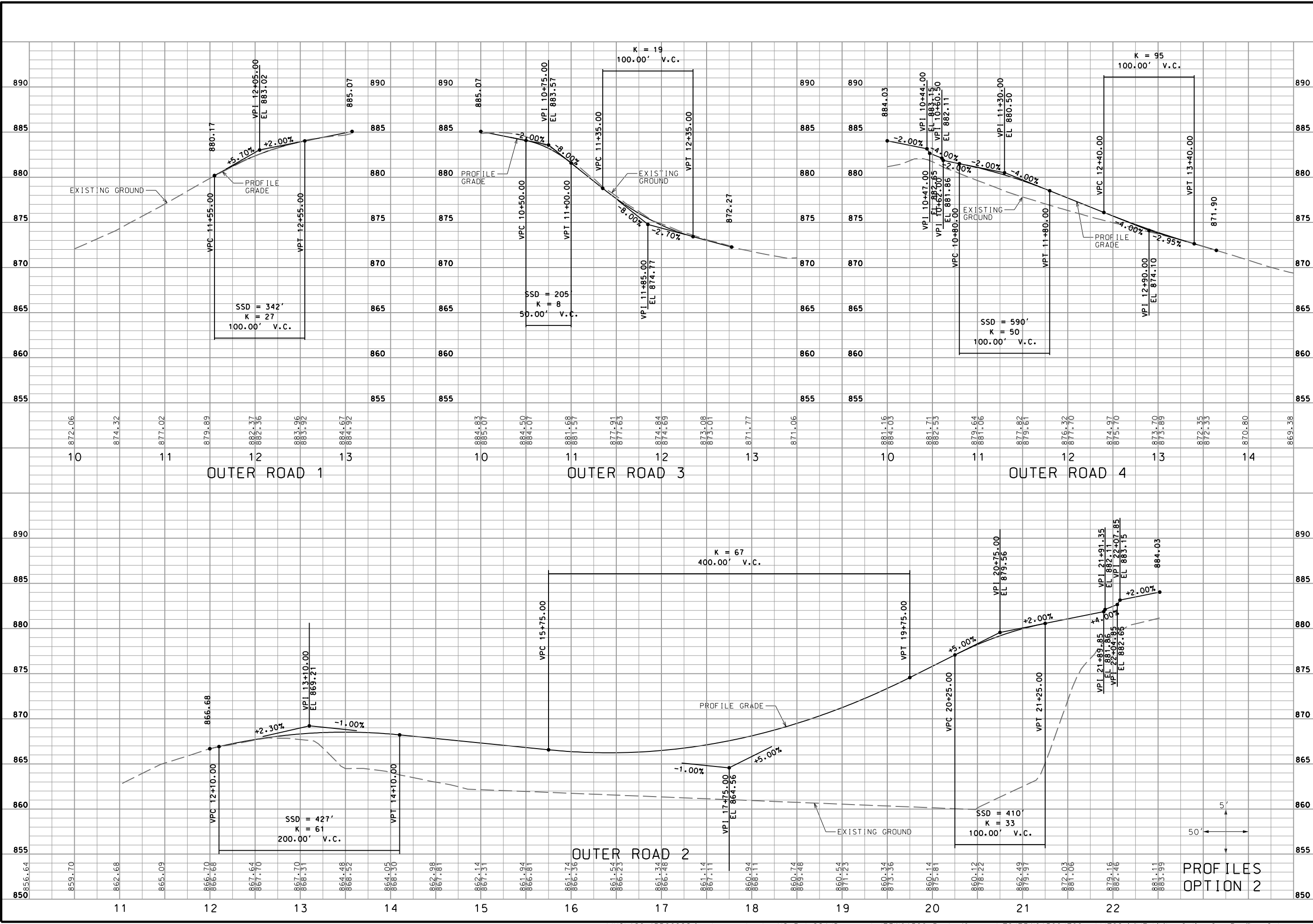
MISSOURI HIGHWAYS AND TRANSPORTATION COMMISSION

105 WEST CAPITOL
JEFFERSON CITY, MO 65102
1-888-ASK-MODOT (1-888-275-6636)

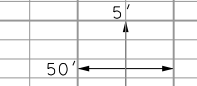
JACOBS

JACOBS ENGINEERING GROUP
501 NORTH BROADWAY
ST. LOUIS, MISSOURI 63102-2121
PHONE: (314) 335-4000
CERTIFICATE OF AUTHORITY #00704

IF A SEAL IS PRESENT ON THIS SHEET IT HAS BEEN ELECTRONICALLY SEALED AND DATED.



PROFILES
OPTION 2



"THIS MEDIA SHOULD NOT BE CONSIDERED A CERTIFIED DOCUMENT."

| | |
|-------------------------------------|--------------------|
| DATE PREPARED 13-SEP-2019 | |
| ROUTE 19 | STATE MO |
| DISTRICT NE | SHEET NO. |
| COUNTY MONTCOMERY | |
| JOB NO. J2P3090 | |
| CONTRACT ID. | |
| PROJECT NO. | |
| BRIDGE NO. | |

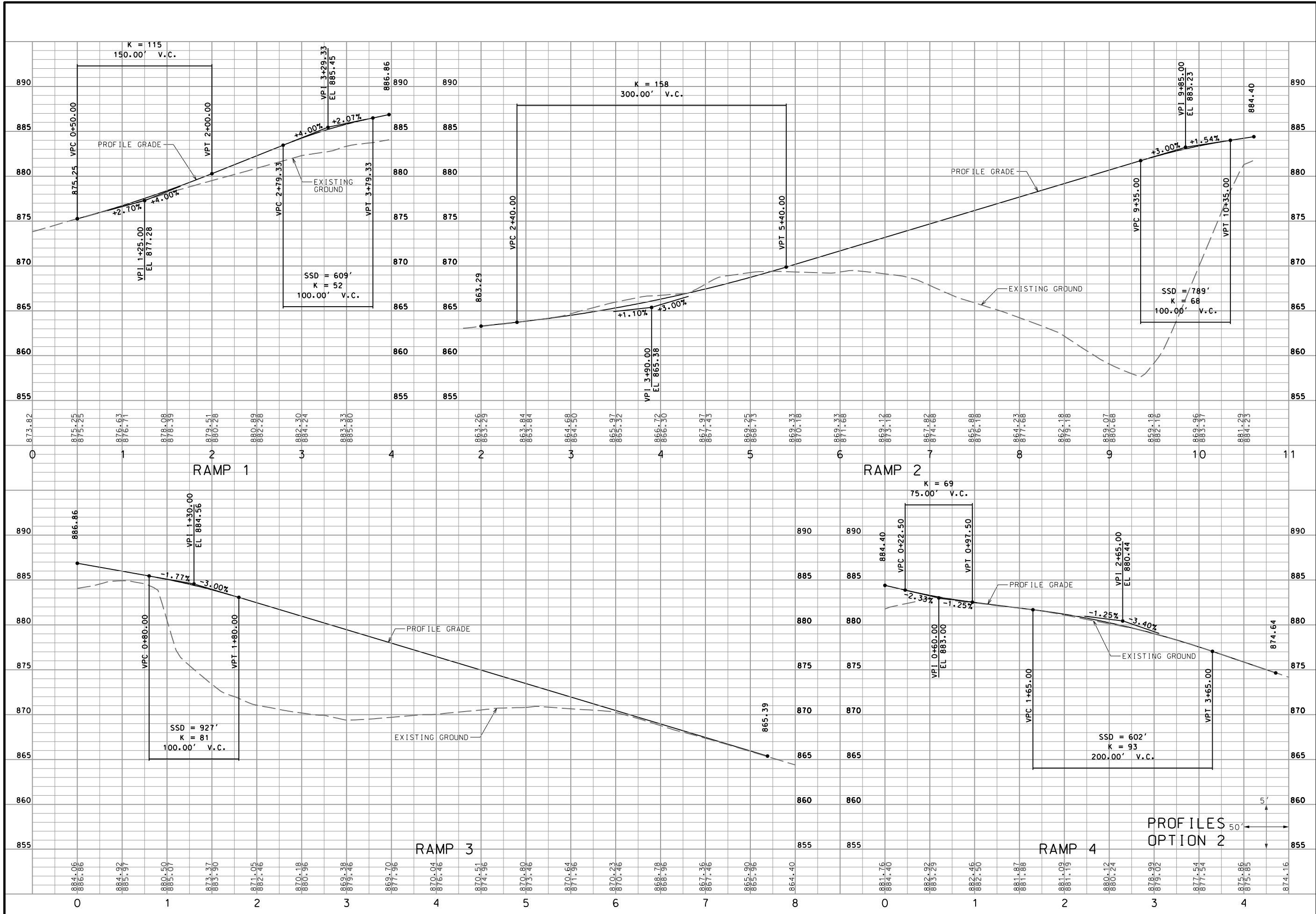
| DATE | DESCRIPTION |
|------|-------------|
| | |
| | |
| | |
| | |
| | |

MISSOURI HIGHWAYS AND TRANSPORTATION COMMISSION

105 WEST CAPITOL
JEFFERSON CITY, MO 65102
1-888-ASK-MODOT (1-888-275-6636)

JACOBS ENGINEERING GROUP
501 NORTH BROADWAY
ST. LOUIS, MISSOURI 63102-2121
PHONE: (314) 335-4000
CERTIFICATE OF AUTHORITY #00704

IF A SEAL IS PRESENT ON THIS SHEET IT HAS BEEN ELECTRONICALLY SEALED AND DATED.



"THIS MEDIA SHOULD NOT BE CONSIDERED A CERTIFIED DOCUMENT."

| | |
|-------------------------------------|--------------------|
| DATE PREPARED 13-SEP-2019 | |
| ROUTE 1-9 | STATE MO |
| DISTRICT NE | SHEET NO. |
| COUNTY MONTCOMERY | |
| JOB NO. J2P3090 | |
| CONTRACT ID. | |
| PROJECT NO. | |
| BRIDGE NO. | |

| DATE | DESCRIPTION |
|------|-------------|
| | |
| | |
| | |
| | |
| | |
| | |
| | |
| | |
| | |
| | |
| | |

MISSOURI HIGHWAYS AND TRANSPORTATION COMMISSION

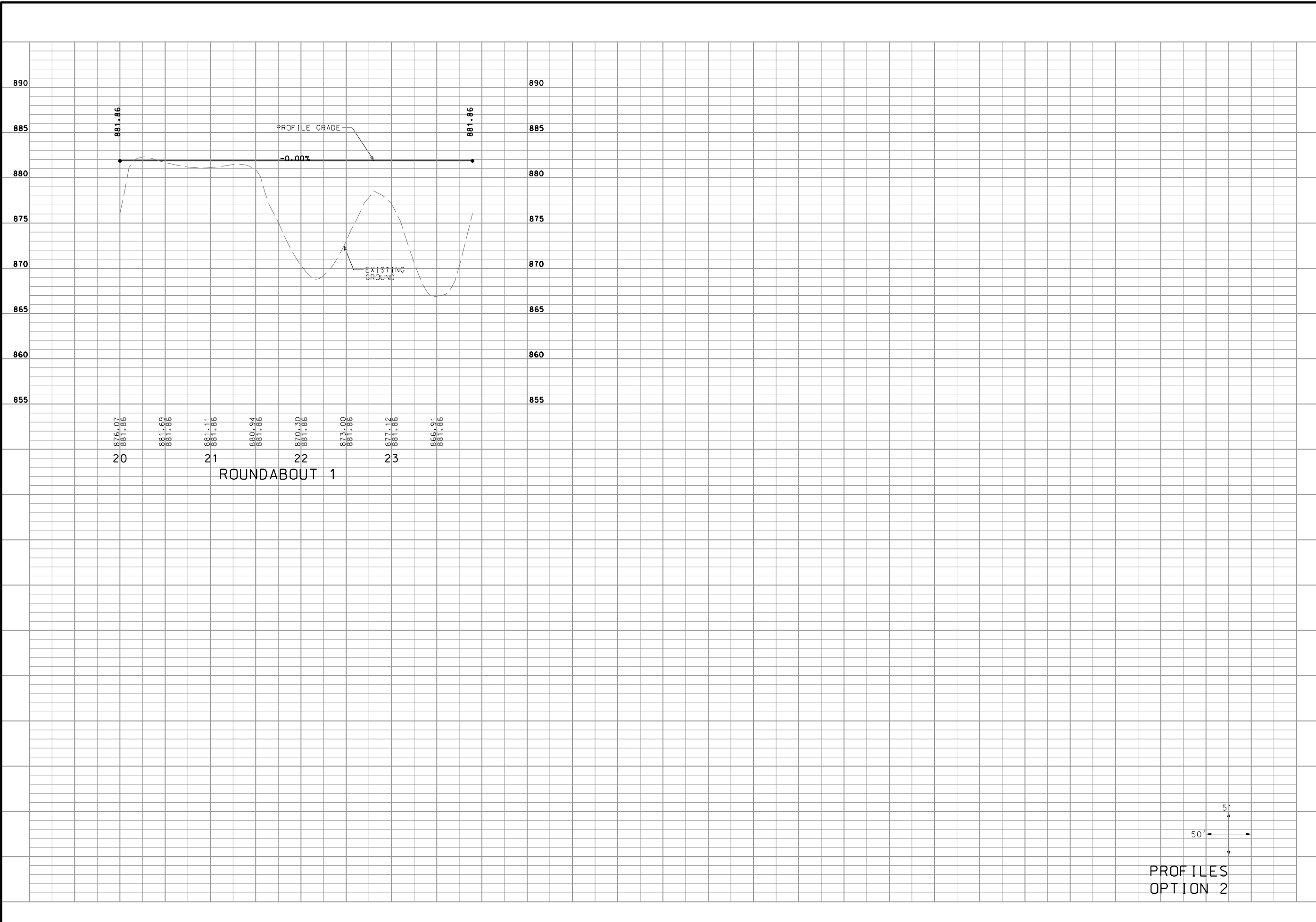
105 WEST CAPITOL
JEFFERSON CITY, MO 65102
1-888-ASK-MODOT (1-888-275-6636)

JACOBS ENGINEERING GROUP
501 NORTH BROADWAY
ST. LOUIS, MISSOURI 63102-2121
PHONE: (314) 335-4000
CERTIFICATE OF AUTHORITY #00704

PROFILES OPTION 2

5' 50'

IF A SEAL IS PRESENT ON THIS SHEET IT HAS BEEN ELECTRONICALLY SEALED AND DATED.



881.86
20
881.87
881.86
881.88
21
881.86
881.89
881.86
881.90
22
881.86
881.91
881.86
881.92
23
881.86
881.93
881.86

"THIS MEDIA SHOULD NOT BE CONSIDERED A CERTIFIED DOCUMENT."

DATE PREPARED
13-SEP-2019

| | |
|-----------------------|--------------------|
| ROUTE 1-9 | STATE MO |
| DISTRICT NE | SHEET NO. |

COUNTY
MONTGOMERY

JOB NO.
J2P3090

CONTRACT ID.

PROJECT NO.

BRIDGE NO.

| DATE | DESCRIPTION |
|------|-------------|
| | |
| | |
| | |
| | |
| | |
| | |
| | |
| | |
| | |
| | |

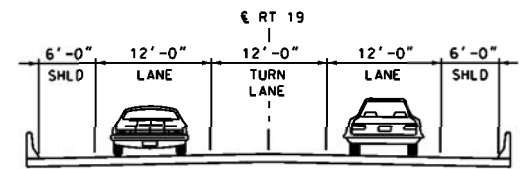
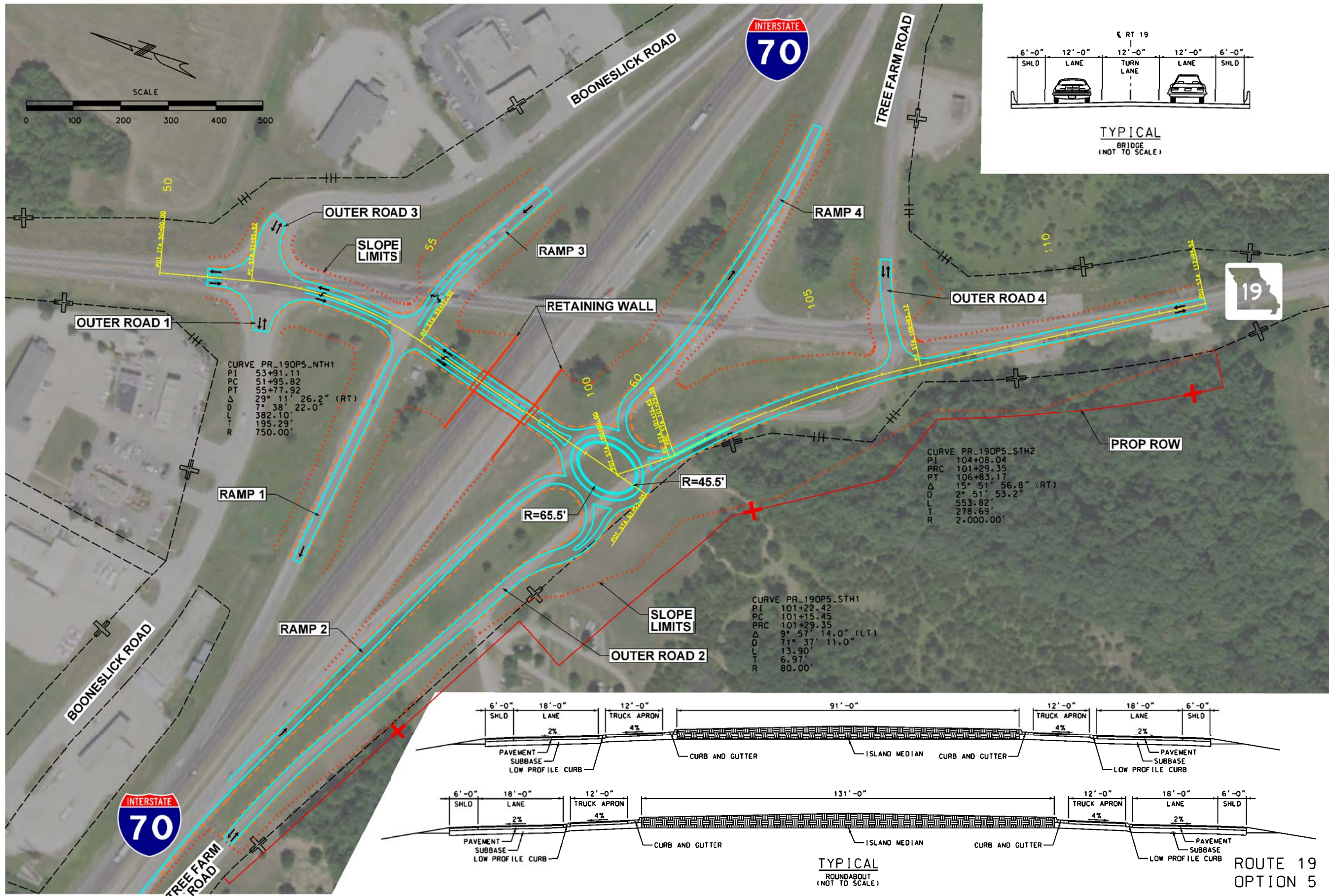
MISSOURI HIGHWAYS AND TRANSPORTATION COMMISSION

105 WEST CAPITOL
JEFFERSON CITY, MO 65102
1-888-ASK-MODOT (1-888-275-6636)

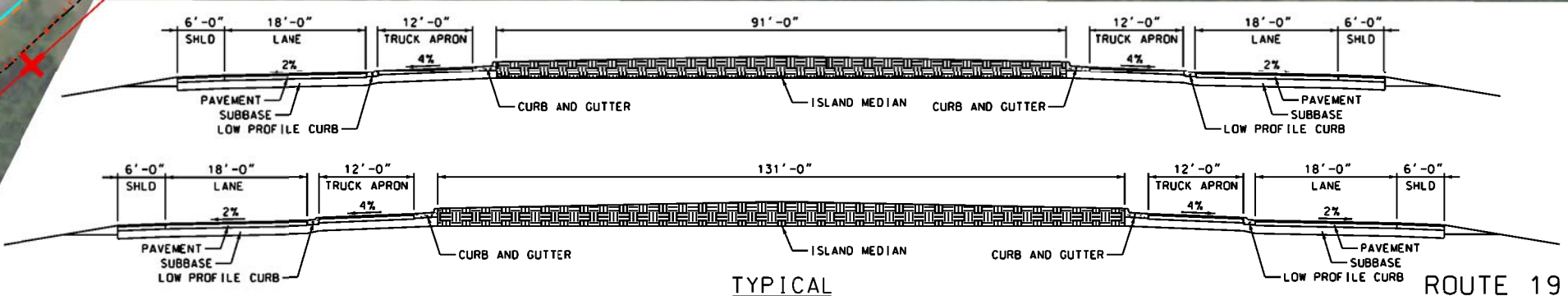
JACOBS

JACOBS ENGINEERING GROUP
501 NORTH BROADWAY
ST. LOUIS, MISSOURI 63102-2121
PHONE: (314) 335-4000
CERTIFICATE OF AUTHORITY #00704

IF A SEAL IS PRESENT ON THIS SHEET IT HAS BEEN ELECTRONICALLY SEALED AND DATED.



TYPICAL
 BRIDGE
 (NOT TO SCALE)



TYPICAL
 ROUNDABOUT
 (NOT TO SCALE)

ROUTE 19
 OPTION 5

"THIS MEDIA SHOULD NOT BE CONSIDERED A CERTIFIED DOCUMENT."

| | |
|---------------|-----------|
| DATE PREPARED | |
| 09-JAN-2020 | |
| ROUTE | STATE |
| 1-9 | MO |
| DISTRICT | SHEET NO. |
| NE | |
| COUNTY | |
| MONTGOMERY | |
| JOB NO. | |
| J2P3090 | |
| CONTRACT ID. | |
| PROJECT NO. | |
| BRIDGE NO. | |

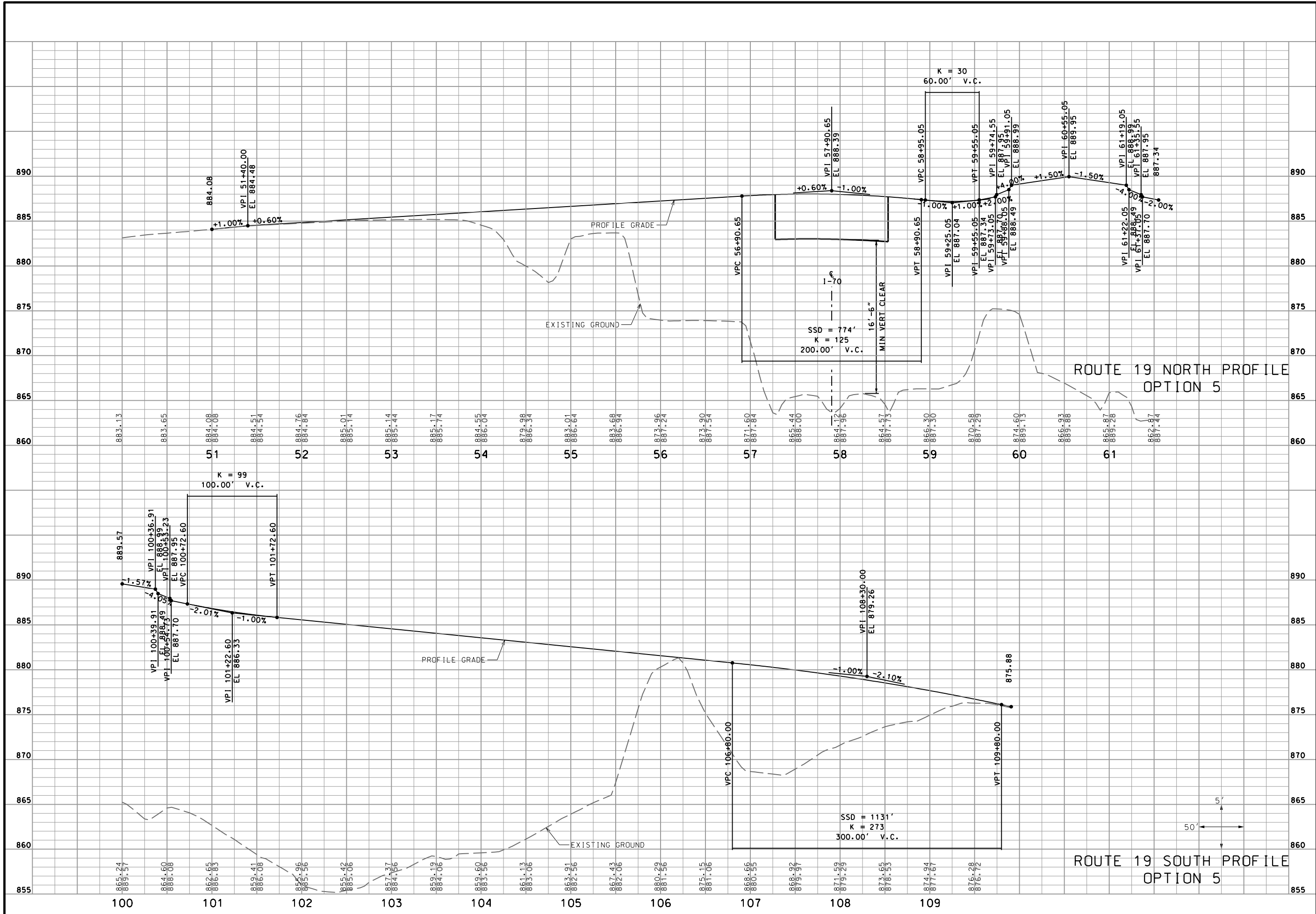
| DESCRIPTION | DATE |
|-------------|------|
| | |
| | |
| | |
| | |
| | |
| | |
| | |
| | |
| | |
| | |

MISSOURI HIGHWAYS AND TRANSPORTATION COMMISSION

105 WEST CAPITOL
 JEFFERSON CITY, MO 65102
 1-888-ASK-MODOT (1-888-278-6636)

JACOBS

JACOBS ENGINEERING GROUP
 501 NORTH BROADWAY
 ST. LOUIS, MISSOURI 63102-2121
 PHONE: (314) 335-4000
 CERTIFICATE OF AUTHORITY #00704



"THIS MEDIA SHOULD NOT BE CONSIDERED A CERTIFIED DOCUMENT."

DATE PREPARED: 13-SEP-2019

ROUTE: 19 STATE: MO DISTRICT: NE SHEET NO. COUNTY: MONTGOMERY JOB NO.: J2P3090 CONTRACT ID. PROJECT NO. BRIDGE NO.

| DATE | DESCRIPTION |
|------|-------------|
| | |
| | |
| | |
| | |

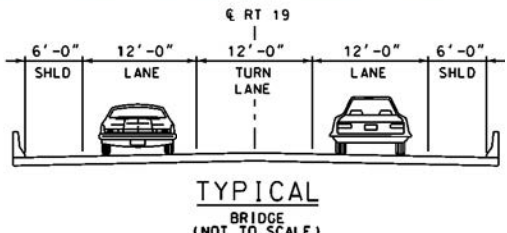
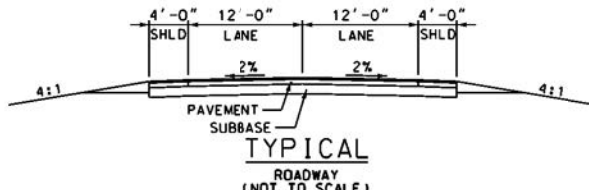
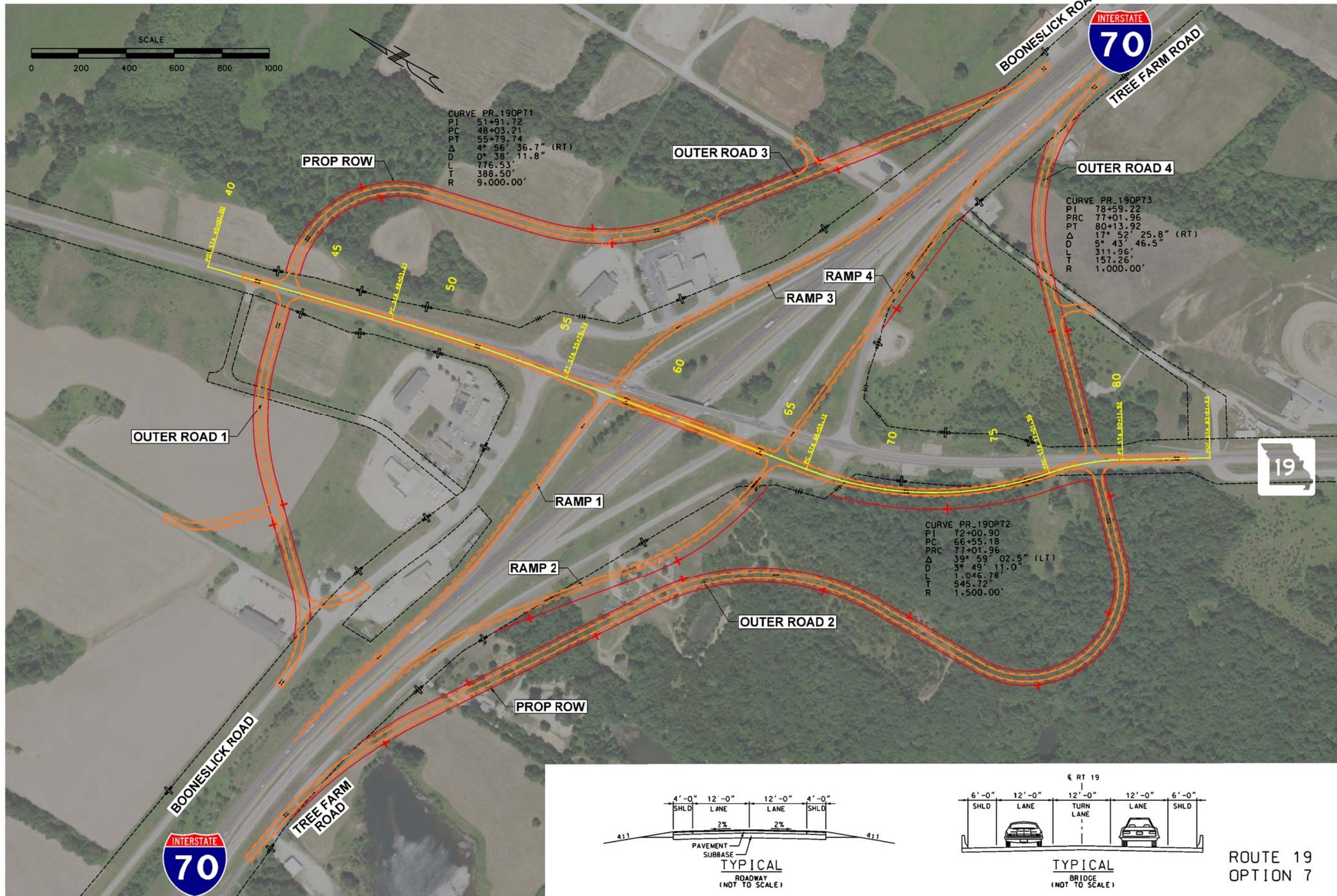
MISSOURI HIGHWAYS AND TRANSPORTATION COMMISSION

JACOBS
 JACOBS ENGINEERING GROUP
 501 NORTH BROADWAY
 ST. LOUIS, MISSOURI 63102-2121
 PHONE: (314) 335-4000
 CERTIFICATE OF AUTHORITY #00704

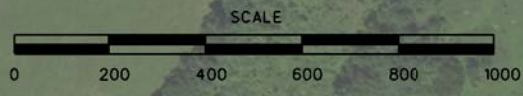
1-888-ASK-MODOT (1-888-275-6636)

105 WEST CAPITOL JEFFERSON CITY, MO 65102

IF A SEAL IS PRESENT ON THIS SHEET IT HAS BEEN ELECTRONICALLY SEALED AND DATED.



ROUTE 19 OPTION 7



"THIS MEDIA SHOULD NOT BE CONSIDERED A CERTIFIED DOCUMENT."

| | |
|---------------|-----------|
| DATE PREPARED | |
| 09-JAN-2020 | |
| ROUTE | STATE |
| 1-9 | MO |
| DISTRICT | SHEET NO. |
| NE | |
| COUNTY | |
| MONTGOMERY | |
| JOB NO. | |
| J2P3090 | |
| CONTRACT ID. | |
| PROJECT NO. | |
| BRIDGE NO. | |

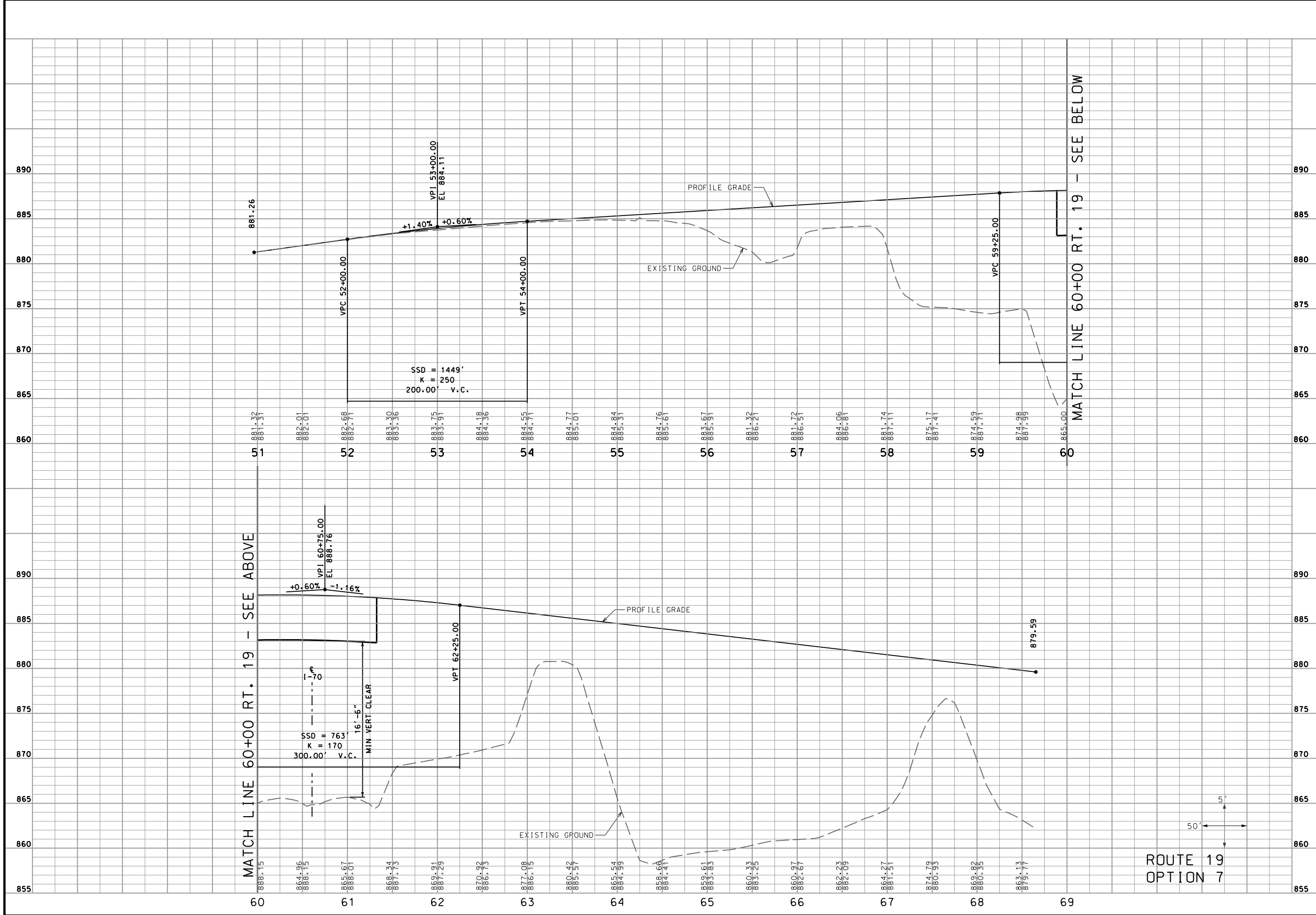
| DATE | DESCRIPTION |
|------|-------------|
| | |
| | |
| | |
| | |
| | |

MISSOURI HIGHWAYS AND TRANSPORTATION COMMISSION

105 WEST CAPITOL
 JEFFERSON CITY, MO 65102
 1-888-ASK-MODOT (1-888-275-6636)

JACOBS ENGINEERING GROUP
 501 NORTH BROADWAY
 ST. LOUIS, MISSOURI 63102-2121
 PHONE: (314) 335-4000
 CERTIFICATE OF AUTHORITY #00704

IF A SEAL IS PRESENT ON THIS SHEET IT HAS BEEN ELECTRONICALLY SEALED AND DATED.



"THIS MEDIA SHOULD NOT BE CONSIDERED A CERTIFIED DOCUMENT."

| | |
|-------------------------------------|--------------------|
| DATE PREPARED 13-SEP-2019 | |
| ROUTE 19 | STATE MO |
| DISTRICT NE | SHEET NO. |
| COUNTY MONTGOMERY | |
| JOB NO. J2P3090 | |
| CONTRACT ID. | |
| PROJECT NO. | |
| BRIDGE NO. | |

| DATE | DESCRIPTION |
|------|-------------|
| | |
| | |
| | |
| | |
| | |

MISSOURI HIGHWAYS AND TRANSPORTATION COMMISSION

105 WEST CAPITOL
JEFFERSON CITY, MO 65102
1-888-ASK-HDDOT (1-888-275-6636)

JACOBS

JACOBS ENGINEERING GROUP
501 NORTH BROADWAY
ST. LOUIS, MISSOURI 63102-2121
PHONE: (314) 335-4000
CERTIFICATE OF AUTHORITY #00704

IF A SEAL IS PRESENT ON THIS SHEET IT HAS BEEN ELECTRONICALLY SEALED AND DATED.

Appendix B

Operational Traffic Analysis

Appendix B: Table 1 – Conceptual Options Comparison: Anticipated Design Year (2021) Operating Conditions

| <i>Intersection/Movement</i> | <i>No-Build</i> | | <i>Option 1 – Two Roundabouts: North & South</i> | | <i>Option 2 – Tree Farm Rd. Roundabout (only)</i> | | <i>Option 5 – South Elliptical Roundabout + 2-lane & AWSC WB Ramp</i> | | <i>Option 7 – EIS: SOR & NOR AWSC</i> | |
|--|--|--|--|---------------------|---|---------------------|---|---------------------|---|---------------------|
| | <i>AM Peak Hour (with new SBL @ SOR)</i> | <i>PM Peak Hour (with new SBL @ SOR)</i> | <i>AM Peak Hour</i> | <i>PM Peak Hour</i> | <i>AM Peak Hour</i> | <i>PM Peak Hour</i> | <i>AM Peak Hour</i> | <i>PM Peak Hour</i> | <i>AM Peak Hour</i> | <i>PM Peak Hour</i> |
| Tree Farm Rd/SOR at (relocated) Route 19 (twsc) – <i>this intersection added in Option 5 only</i> | | | | | | | | | | |
| Westbound Tree Farm Rd. Approach | | | | | | | C (15.1) 65' | C (18.9) 95' | | |
| Northbound Route 19 Approach | | | | | | | Free Flow | Free Flow | | |
| Southbound Route 19 Approach | | | | | | | A (6.3) 15' | A (5.2) 15' | | |
| Overall Intersection | | | | | | | A (8.7) | A (9.8) | | |
| MO Route 19 at Tree Farm Road (twsc: No-Build; awsc: Option 7 – noted that twsc achieves acceptable LOS for all movements) | | | | | | | | | | |
| Eastbound Tree Farm Road Approach | D (25.9) 10' | D (31.2) 10' | A (5.5) 5' | A (6.1) 5' | A (5.3) 5' | A (5.6) 0' | A (6.4) 5' | A (7.0) 5' | A (9.2) | A (9.5) |
| Westbound Tree Farm Road Approach | C (15.7) 70' | C (19.9) 105' | A (10.0) 35' | A (9.8) 30' | A (9.5) 30' | A (8.8) 25' | - | - | B (13.9) | C (16.6) |
| Northbound MO Route 19 Approach | A (0.1) 0' | A (0.2) 0' | A (7.4) 20' | A (7.6) 25' | A (7.2) 20' | A (7.5) 20' | B (12.2) 50' | B (11.4) 45' | B (10.8) | B (11.2) |
| Southbound MO Route 19 Approach | A (5.7) 15' SBL | A (4.4) 15' SBL | - | - | A (8.5) 35' | A (9.1) 40' | A (8.5) 40' | A (8.8) 60' | B (11.3) | B (12.0) |
| Overall Intersection | A (9.2) | B (10.3) | - | - | A (8.5) | A (8.5) | B (10.1) | A (9.8) | B (12.2) | B (13.6) |
| MO Route 19 at I-70 Eastbound Ramp Terminals (twsc) | | | | | | | | | | |
| Eastbound I-70 Exit Ramp Approach | C (17.4) 35' | C (20.3) 40' | A (7.8) 20' | A (8.3) 20' | C (17.4) 35' | C (20.3) 40' | A (9.4) 20' | A (10.0) 20' | C (17.4) 35' | C (20.3) 40' |
| Northbound MO Route 19 Approach | Free Flow | Free Flow | - | - | Free Flow | Free Flow | - | - | Free Flow | Free Flow |
| Southbound MO Route 19 Approach | A (4.5) 10' | A (5.0) 15' | A (6.8) 40' | A (6.9) 55' | A (3.8) 10'L | A (4.2) 15'L | - | - | A (3.8) 10' | A (4.2) 15'L |
| Overall Intersection | A (4.7) | A (5.7) | A (7.9) | A (7.8) | A (4.4) | A (5.3) | - | - | A (4.4) | A (5.3) |
| MO Route 19 at I-70 Westbound Ramp Terminals (twsc) | | | | | | | | | | |
| Westbound I-70 Exit Ramp Approach | C (18.7) 80' | C (24.6) 115' | B (13.9) 75' | B (12.3) 70' | C (18.7) 80' | C (24.6) 115' | C (18.7) 80' | C (24.6) 115' | C (18.8) 80' | D (25.4) 120' |
| Northbound MO Route 19 Approach | A (3.1) 5' | A (3.2) 5' | A (8.5) 30' | A (7.5) 30' | A (2.7) 5'L | A (2.6) 5'L | A (3.1) 5' | A (3.2) 5' | A (2.7) 5'L | A (2.7) 5'L |
| Southbound MO Route 19 Approach | Free Flow | Free Flow | - | - | Free Flow | Free Flow | Free Flow | Free Flow | Free Flow | Free Flow |
| Overall Intersection | A (7.5) | A (8.1) | - | - | A (7.4) | A (8.0) | A (7.5) | A (8.1) | A (7.4) | A (8.2) |
| MO Route 19 at Booneslick Road (signalized: No-Build, Option 2, Option 5; awsc: Option 7 – noted that twsc achieves acceptable LOS for all movements) | | | | | | | | | | |
| Eastbound Booneslick Rd. Approach | A (9.7) 40' | B (11.7) 40' | B (10.1) 25' | A (9.5) 25' | A (9.7) 40' | B (11.7) 40' | A (9.7) 40' | B (11.7) 40' | B (10.7) | B (12.2) |
| Westbound Booneslick Rd. Approach | B (13.6) 50' | C (21.0) 65' | A (9.6) 15' | A (8.7) 15' | B (13.6) 50' | C (21.0) 65' | B (13.6) 50' | C (21.0) 65' | B (10.4) | B (11.6) |
| Northbound MO Route 19 Approach | A (6.5) 115' | A (7.0) 95' | - | - | A (6.5) 115' | A (7.0) 95' | A (6.5) 115' | A (7.0) 95' | C (15.7) | C (20.0) |
| Southbound MO Route 19 Approach | B (11.7) 90' | B (15.0) 130' | B (10.8) 25' | B (13.2) 75' | B (11.7) 90' | B (15.0) 130' | B (11.7) 90' | B (15.0) 130' | B (11.4) | C (20.6) |
| Overall Intersection | A (9.2) | B (12.1) | B (10.9) | B (10.8) | A (9.2) | B (12.1) | A (9.2) | B (12.1) | B (13.1) | C (18.3) |

X (XX.X) XXX': Level of Service (avg. veh delay in sec/veh) 95th Percentile Queue Length in feet

Appendix B: Table 2 – Conceptual Options Comparison: Anticipated Design Year (2041) Operating Conditions

| Intersection/Movement | No-Build | | Option 1 – Two Roundabouts: North & South | | Option 2 – Tree Farm Rd. Roundabout (only) + 2-lane & AWSC Ramps | | Option 5 – South Elliptical Roundabout + 2-lane & AWSC WB Ramp | | Option 7 – EIS: SOR & NOR AWSC + 2-lane & AWSC Ramps | |
|--|--|--|--|-----------------|--|-----------------|--|-----------------|--|-----------------|
| | AM Peak Hour (with SBL & AWSC @ SOR) | PM Peak Hour (with SBL & AWSC @ SOR) | AM Peak Hour | PM Peak Hour | AM Peak Hour | PM Peak Hour | AM Peak Hour | PM Peak Hour | AM Peak Hour | PM Peak Hour |
| Tree Farm Rd/SOR at (relocated) Route 19 (twsc) – this intersection added in Option 5 only | | | | | | | | | | |
| Westbound Tree Farm Rd. Approach | | | | | | | C (18.0) 90' | C (17.1) 65' | | |
| Northbound Route 19 Approach | | | | | | | Free Flow | Free Flow | | |
| Southbound Route 19 Approach | | | | | | | A (6.2) 15' | A (5.3) 15' | | |
| Overall Intersection | | | | | | | A (9.6) | A (7.5) | | |
| MO Route 19 at Tree Farm Road (awsc: No-Build, Option 7); EBR and WBR auxiliary lanes added for Option 7 | | | | | | | | | | |
| Eastbound Tree Farm Road Approach | D (33.4) | C (19.6) | B (14.8) 55' | C (15.8) 45' | B (13.3) 40' | B (12.3) 30' | C (17.8) 60' | C (21.2) 55' | D (28.3) | B (12.4) |
| Westbound Tree Farm Road Approach | D (31.9) | E (37.0) | C (17.4) 75' | C (15.4) 50' | C (15.6) 65' | B (12.5) 35' | - | - | C (22.9) | A (8.1) |
| Northbound MO Route 19 Approach | C (19.3) | C (18.0) | B (12.0) 35' | B (12.6) 45' | B (11.2) 30' | B (10.6) 30' | C (24.8) 165' | C (23.4) 140' | C (18.9) | B (11.9) |
| Southbound MO Route 19 Approach | C (19.8) | D (26.0) | - | - | B (14.9) 75' | B (13.9) 80' | B (13.6) 75' | C (16.9) 110' | C (18.8) | B (14.4) |
| Overall Intersection | D (26.4) | D (27.1) | - | - | B (14.1) | B (12.7) | C (18.2) | C (19.9) | C (22.3) | B (11.9) |
| MO Route 19 at I-70 Eastbound Ramp Terminals (twsc: No-Build; awsc: Option 2, Option 7); SBL added for Options 2 & 7 | | | | | | | | | | |
| Eastbound I-70 Exit Ramp Approach | E (35.1) 115' | E (38.8) 105' | B (13.6) 40' | B (14.6) 50' | A (7.8) | A (7.8) | C (18.0) 50' | C (22.0) 70' | A (7.8) | A (7.8) |
| Northbound MO Route 19 Approach | Free Flow | Free Flow | - | - | D (30.5) | C (16.1) | - | - | D (30.5) | C (16.1) |
| Southbound MO Route 19 Approach | A (4.4) 15' | A (5.0) 20' | A (9.8) 70' | B (10.2) 90' | B (12.6) | B (12.6) | - | - | B (12.6) | B (12.6) |
| Overall Intersection | A (7.8) | A (8.4) | B (12.9) | B (12.7) | C (19.8) | B (13.1) | - | - | C (19.8) | B (13.1) |
| MO Route 19 at I-70 Westbound Ramp Terminals (twsc: No-Build; awsc: Option 2, Option 5, Option 7); NBL added for Options 2, 5 & 7 | | | | | | | | | | |
| Westbound I-70 Exit Ramp Approach | F (123.2) 390' | F (259.7) 570' | D (34.5) 230' | D (32.6) 220' | A (9.6) | A (9.7) | A (9.6) | A (9.8) | A (9.6) | A (9.7) |
| Northbound MO Route 19 Approach | A (4.5) 15' | A (4.9) 15' | B (12.0) 55' | B (11.7) 65' | B (11.8) | B (11.9) | B (11.8) | B (12.3) | B (11.8) | B (11.9) |
| Southbound MO Route 19 Approach | Free Flow | Free Flow | - | - | C (15.7) | D (32.1) | C (15.7) | C (23.1) | C (15.7) | D (32.1) |
| Overall Intersection | E (44.5) | F (79.0) | - | - | B (12.3) | C (19.8) | B (12.3) | C (15.5) | B (12.3) | C (19.8) |
| MO Route 19 at Booneslick Road (signalized: No-Build, Option 2, Option 5; awsc: Option 7); NBR AND SBR auxiliary lanes added for Option 7 | | | | | | | | | | |
| Eastbound Booneslick Rd. Approach | B (11.5) 45' | B (12.3) 45' | C (16.1) 40' | B (14.6) 40' | B (11.5) 45' | B (12.3) 45' | B (11.5) 45' | B (12.3) 45' | B (11.6) | B (13.3) |
| Westbound Booneslick Rd. Approach | B (15.7) 55' | C (23.5) 70' | B (14.6) 25' | B (13.7) 25' | B (15.7) 55' | C (23.5) 70' | B (15.7) 55' | C (23.5) 70' | B (11.1) | B (12.3) |
| Northbound MO Route 19 Approach | A (7.9) 145' | A (7.4) 120' | - | - | A (7.9) 145' | A (7.5) 130' | A (7.9) 145' | A (7.4) 120' | C (17.7) | C (24.5) |
| Southbound MO Route 19 Approach | B (13.4) 115' | B (18.0) 175' | C (20.3) 90' | D (30.3) 190' | B (13.4) 115' | B (18.0) 175' | B (13.4) 115' | B (18.0) 175' | B (12.5) | C (21.0) |
| Overall Intersection | B (10.8) | B (13.7) | C (21.2) | C (22.7) | B (10.8) | B (13.7) | B (10.8) | B (13.7) | B (14.6) | C (20.4) |

X (XX.X) XXX': Level of Service (avg. veh delay in sec/veh) 95th Percentile Queue Length in feet

Appendix B: Table 3 – Option 2 Conceptual Alternatives Comparison: Anticipated Design Year (2021) Operating Conditions

| <i>Intersection/Movement</i> | <i>No-Build</i> | | <i>BUILD 1 – SOR Signal</i> | | <i>BUILD 2 – SOR Roundabout</i> | |
|--|-----------------------------------|-----------------------------------|-----------------------------|--------------------|---------------------------------|--------------------|
| | <i>AM Peak Hr. with SBL @ SOR</i> | <i>PM Peak Hr. with SBL @ SOR</i> | <i>AM Peak Hr.</i> | <i>PM Peak Hr.</i> | <i>AM Peak Hr.</i> | <i>PM Peak Hr.</i> |
| MO Route 19 at Tree Farm Road (<i>Build signal = semi-actuated, uncoordinated to be conservative</i>) | | | | | | |
| Eastbound Tree Farm Road Approach | D (25.9) 10' | D (31.2) 10' | A (9.1) 5' | A (8.3) 10' | A (5.3) 5' | A (5.6) 0' |
| Westbound Tree Farm Road Approach | C (15.7) 70' | C (19.9) 105' | B (11.0) 15' | B (12.1) 0' | A (9.5) 30' | A (8.8) 25' |
| Northbound MO Route 19 Approach | A (0.1) 0' | A (0.2) 0' | A (6.2) 40' | A (6.5) 50' | A (7.2) 20' | A (7.5) 20' |
| Southbound MO Route 19 Approach | A (5.7) 15' SBL | A (4.4) 15' SBL | A (9.7) 70'L | B (10.2) 65'L | A (8.5) 35' | A (9.1) 40' |
| Overall Intersection | A (9.2) | B (10.3) | A (9.5) | B (10.3) | A (8.5) | A (8.5) |
| MO Route 19 at I-70 Eastbound Ramp Terminals (twsc); SBL added for Build 3 & 4 | | | | | | |
| Eastbound I-70 Exit Ramp Approach | C (17.4) 35' | C (20.3) 40' | C (17.4) 35' | C (20.3) 40' | C (17.4) 35' | C (20.3) 40' |
| Northbound MO Route 19 Approach | Free Flow | Free Flow | Free Flow | Free Flow | Free Flow | Free Flow |
| Southbound MO Route 19 Approach | A (4.5) 10' | A (5.0) 15' | A (3.8) 10'L | A (4.2) 15'L | A (3.8) 10'L | A (4.2) 15'L |
| Overall Intersection | A (4.7) | A (5.7) | A (4.4) | A (5.3) | A (4.4) | A (5.3) |
| MO Route 19 at I-70 Westbound Ramp Terminals (twsc); NBL added for Build 3 & 4 | | | | | | |
| Westbound I-70 Exit Ramp Approach | C (18.7) 80' | C (24.6) 115' | C (18.7) 80' | C (24.6) 115' | C (18.7) 80' | C (24.6) 115' |
| Northbound MO Route 19 Approach | A (3.1) 5' | A (3.2) 7' | A (2.7) 5'L | A (2.6) 5'L | A (2.7) 5'L | A (2.6) 5'L |
| Southbound MO Route 19 Approach | Free Flow | Free Flow | Free Flow | Free Flow | Free Flow | Free Flow |
| Overall Intersection | A (7.5) | A (8.1) | A (7.4) | A (8.0) | A (7.4) | A (8.0) |
| MO Route 19 at Booneslick Road (signalized) | | | | | | |
| Eastbound Booneslick Rd. Approach | A (9.7) 40' | B (11.7) 40' | A (9.7) 40' | B (11.7) 40' | A (9.7) 40' | B (11.7) 40' |
| Westbound Booneslick Rd. Approach | B (13.6) 50' | C (21.0) 65' | B (13.6) 50' | C (21.0) 65' | B (13.6) 50' | C (21.0) 65' |
| Northbound MO Route 19 Approach | A (6.5) 115' | A (7.0) 95' | A (6.5) 115' | A (7.0) 95' | A (6.5) 115' | A (7.0) 95' |
| Southbound MO Route 19 Approach | B (11.7) 90' | B (15.0) 130' | B (11.7) 90' | B (15.0) 130' | B (11.7) 90' | B (15.0) 130' |
| Overall Intersection | A (9.2) | B (12.1) | A (9.2) | B (12.1) | A (9.2) | B (12.1) |

X (XX.X) XXX': Level of Service (avg. veh delay in sec/veh) 95th Percentile Queue Length in feet; #: volume exceeds capacity

Appendix B: Table 4 - Option 2 Conceptual Alternatives Comparison: Anticipated Design Year (2041) Operating Conditions

| <i>Intersection/Movement</i> | <i>No-Build</i> | | <i>BUILD 1 – SOR Signal</i> | | <i>BUILD 2 – SOR Roundabout</i> | | <i>BUILD 3 – SOR RAB +2-lane Ramps</i> | | <i>BUILD 4 – SOR RAB +2-lane & AWSC Ramps</i> | |
|--|--|--|-----------------------------|--------------------|---------------------------------|--------------------|--|--------------------|---|--------------------|
| | <i>AM Peak Hr. with SBL & AWSC @ SOR</i> | <i>PM Peak Hr. with SBL & AWSC @ SOR</i> | <i>AM Peak Hr.</i> | <i>PM Peak Hr.</i> | <i>AM Peak Hr.</i> | <i>PM Peak Hr.</i> | <i>AM Peak Hr.</i> | <i>PM Peak Hr.</i> | <i>AM Peak Hr.</i> | <i>PM Peak Hr.</i> |
| MO Route 19 at Tree Farm Road (<i>Build signal = semi-actuated, uncoordinated to be conservative</i>) | | | | | | | | | | |
| Eastbound Tree Farm Road Approach | D (33.4) | C (19.6) | E (55.3) 90' | D (44.8) 100'# | B (13.3) 40' | B (12.3) 30' | B (13.3) 40' | B (12.3) 30' | B (13.3) 40' | B (12.3) 30' |
| Westbound Tree Farm Road Approach | D (31.9) | E (37.0) | A (5.3) 10' | A (9.2) 0' | C (15.6) 65' | B (12.5) 35' | C (15.6) 65' | B (12.5) 35' | C (15.6) 65' | B (12.5) 35' |
| Northbound MO Route 19 Approach | C (19.3) | C (18.0) | B (16.4) 80' | A (9.8) 65' | B (11.2) 30' | B (10.6) 30' | B (11.2) 30' | B (10.6) 30' | B (11.2) 30' | B (10.6) 30' |
| Southbound MO Route 19 Approach | C (19.8) | D (26.0) | B (18.5) 135'L# | B (12.5) 65' | B (14.9) 75' | B (13.9) 80' | B (14.9) 75' | B (13.9) 80' | B (14.9) 75' | B (13.9) 80' |
| Overall Intersection | D (26.4) | D (27.1) | C (23.8) | B (15.9) | B (14.1) | B (12.7) | B (14.1) | B (12.7) | B (14.1) | B (12.7) |
| MO Route 19 at I-70 Eastbound Ramp Terminals (twsc); SBL added for Build 3 & 4 | | | | | | | | | | |
| Eastbound I-70 Exit Ramp Approach | E (35.1) 115' | E (38.8) 105' | E (35.1) 115' | E (38.8) 105' | E (35.1) 115' | E (38.8) 105' | C (21.4) 50' | D (25.2) 55' | B (10.9) | A (7.8) |
| Northbound MO Route 19 Approach | Free Flow | Free Flow | Free Flow | Free Flow | Free Flow | Free Flow | Free Flow | Free Flow | D (30.5) | C (16.1) |
| Southbound MO Route 19 Approach | A (4.4) 15' | A (5.0) 20' | A (3.3) 15'L | A (3.7) 20' | A (3.3) 15' | A (3.7) 20' | A (3.3) 15'L | A (3.7) 20' | B (12.6) | B (12.6) |
| Overall Intersection | A (7.8) | A (8.4) | A (7.3) | A (7.8) | A (7.3) | A (7.8) | A (5.0) | A (5.7) | C (19.8) | B (13.1) |
| MO Route 19 at I-70 Westbound Ramp Terminals (twsc); NBL added for Build 3 & 4 | | | | | | | | | | |
| Westbound I-70 Exit Ramp Approach | F (123.2) 390' | F (259.7) 570' | F (123.2) 390' | F (259.7) 570' | F (123.2) 390' | F (259.7) 570' | E (38.6) 210' | F (150.1) 435' | B (13.2) | A (9.7) |
| Northbound MO Route 19 Approach | A (4.5) 15' | A (4.9) 15' | A (3.6) 15' | A (3.8) 15'L | A (3.6) 15' | A (3.8) 15' | A (3.6) 15'L | A (3.8) 15'L | B (11.8) | B (11.9) |
| Southbound MO Route 19 Approach | Free Flow | Free Flow | Free Flow | Free Flow | Free Flow | Free Flow | Free Flow | Free Flow | C (15.7) | D (32.1) |
| Overall Intersection | E (44.5) | F (79.0) | E (44.2) | F (78.7) | E (44.2) | F (78.7) | B (14.7) | E (45.9) | B (12.3) | C (19.8) |
| MO Route 19 at Booneslick Road (signalized) | | | | | | | | | | |
| Eastbound Booneslick Rd. Approach | B (11.5) 45' | B (12.3) 45' | B (11.5) 45' | B (12.3) 45' | B (11.5) 45' | B (12.3) 45' | B (11.5) 45' | B (12.3) 45' | B (11.5) 45' | B (12.3) 45' |
| Westbound Booneslick Rd. Approach | B (15.7) 55' | C (23.5) 70' | B (15.7) 55' | C (23.5) 70' | B (15.7) 55' | C (23.5) 70' | B (15.7) 55' | C (23.5) 70' | B (15.7) 55' | C (23.5) 70' |
| Northbound MO Route 19 Approach | A (7.9) 145' | A (7.4) 120' | A (7.9) 145' | A (7.4) 120' | A (7.9) 145' | A (7.4) 120' | A (7.9) 145' | A (7.4) 120' | A (7.9) 145' | A (7.5) 130' |
| Southbound MO Route 19 Approach | B (13.4) 115' | B (18.0) 175' | B (13.4) 115' | B (18.0) 175' | B (13.4) 115' | B (18.0) 175' | B (13.4) 115' | B (18.0) 175' | B (13.4) 115' | B (18.0) 175' |
| Overall Intersection | B (10.8) | B (13.7) | B (10.8) | B (13.7) | B (10.8) | B (13.7) | B (10.8) | B (13.7) | B (10.8) | B (13.7) |

X (XX.X) XXX': Level of Service (avg. veh delay in sec/veh) 95th Percentile Queue Length in feet; #: volume exceeds capacity

Appendix C

Cost Estimate

Facility: Rt 19 over I-70
Project: J2P3090
Date: September 13, 2019
Type of Estimate: Conceptual Design Alternatives

Rt 19
 Option 1

*Dual 6-leg
 Roundabouts with
 Bridge Option E*

| Category | | | | | |
|------------------------------|---------------------------------------|-----------|-------------|-----------------|--------------------|
| ROADWAY | Item | Unit | Cost/Unit | Number of Units | TOTAL COST |
| | Removal of Improvements | LS | \$135,000 | 1.0 | \$135,000 |
| | Excavation | C.Y. | \$6 | 8200.0 | \$49,200 |
| | Fill | | | | |
| | Compacting Embankment | C.Y. | \$2 | 31000.0 | \$62,000 |
| | Embankment in Place (Borrow) | C.Y. | \$10 | 156000.0 | \$1,560,000 |
| | Subgrade Treatment | Lane Mile | \$75,000 | 0.5 | \$37,500 |
| | Roadway Subtotal | | | | \$1,843,700 |
| DRAINAGE | Item | Unit | Cost/Unit | Number of Units | TOTAL COST |
| | Drainage System | LS | \$50,000 | 1.0 | \$50,000 |
| | Drainage Subtotal | | | | \$50,000 |
| PAVEMENT | Item | Unit | Cost/Unit | Number of Units | TOTAL COST |
| | New/Reconstruction Pavement | | | | |
| | Pavement | SY | \$75 | 21155.0 | \$1,586,700 |
| | Shoulder | SY | \$45 | 7382.8 | \$332,300 |
| | Base | SY | \$10 | 28537.8 | \$285,400 |
| | Raised Median | SY | \$54 | 2016.8 | \$109,000 |
| | Curb and Gutter | LF | \$27 | 4809.0 | \$129,900 |
| | Pavement Subtotal | | | | \$2,443,300 |
| TRAFFIC SIGNAL | Item | Unit | Cost/Unit | Number of Units | TOTAL COST |
| | Traffic Signal | Each | \$250,000 | 0.0 | \$0 |
| | Traffic Signal Subtotal | | | | \$0 |
| RETAINING WALLS (Non-Bridge) | Item | Unit | Cost/Unit | Number of Units | TOTAL COST |
| | Retaining Wall - MSE | S.F. | \$65 | 1000.0 | \$65,000 |
| | Retaining Wall Subtotal | | | | \$65,000 |
| BRIDGES | Item | Unit | Cost/Unit | Number of Units | TOTAL COST |
| | New Structures | | | | |
| | RT 19 over I-70 | Each | \$1,398,185 | 1.0 | \$1,398,200 |
| | Structure Subtotal | | | | \$1,398,200 |
| OTHER | Item | Unit | Cost/Unit | Number of Units | TOTAL COST |
| | Right-of-way | AC | | 3.3 | \$876,100 |
| | Utility Adjustments | Each | \$500,000 | 1.0 | \$500,000 |
| | Environmental Mitigation | \$/AC | \$6,200 | 3.3 | \$20,500 |
| | Other Subtotal | | | | \$1,396,600 |
| | Subtotal of Above Costs | | | | \$7,196,800 |
| | Maintenance of Traffic | 10% | | | \$719,700 |
| | Mobilization | 5% | | | \$359,900 |
| | Design Contingency | 20% | | | \$1,439,400 |
| | TOTAL CONSTRUCTION BUDGET COST | | | | \$9,715,800 |

| Rt 19 Option 2 | | |
|----------------|-----------------|--------------------|
| Cost/Unit | Number of Units | TOTAL COST |
| \$135,000 | 1.0 | \$135,000 |
| \$6 | 8600.0 | \$51,600 |
| \$2 | 25750.0 | \$51,500 |
| \$10 | 113250.0 | \$1,132,500 |
| \$75,000 | 0.5 | \$37,500 |
| | | \$1,408,100 |
| Cost/Unit | Number of Units | TOTAL COST |
| \$30,000 | 1.0 | \$30,000 |
| | | \$30,000 |
| Cost/Unit | Number of Units | TOTAL COST |
| \$75 | 20181.9 | \$1,513,700 |
| \$45 | 6747.3 | \$303,700 |
| \$10 | 26929.2 | \$269,300 |
| \$54 | 558.6 | \$30,200 |
| \$27 | 1680.0 | \$45,400 |
| | | \$2,162,300 |
| Cost/Unit | Number of Units | TOTAL COST |
| \$250,000 | 1.0 | \$250,000 |
| | | \$250,000 |
| Cost/Unit | Number of Units | TOTAL COST |
| \$65 | | \$0 |
| | | \$0 |
| Cost/Unit | Number of Units | TOTAL COST |
| | | |
| Option B | | |
| \$1,867,931 | 1.0 | \$1,868,000 |
| | | \$1,868,000 |
| Cost/Unit | Number of Units | TOTAL COST |
| | 4.5 | \$960,800 |
| \$500,000 | 1.0 | \$500,000 |
| \$6,200 | 4.5 | \$27,900 |
| | | \$1,488,700 |
| | | \$7,207,100 |
| | 5% | \$360,400 |
| | 5% | \$360,400 |
| | 20% | \$1,441,500 |
| | | \$9,369,400 |

| Rt 19 Option 2 | | |
|----------------|-----------------|--------------------|
| Cost/Unit | Number of Units | TOTAL COST |
| \$135,000 | 1.0 | \$135,000 |
| \$6 | 8500.0 | \$51,000 |
| \$2 | 25000.0 | \$50,000 |
| \$10 | 109500.0 | \$1,095,000 |
| \$75,000 | 0.5 | \$37,500 |
| | | \$1,368,500 |
| Cost/Unit | Number of Units | TOTAL COST |
| \$30,000 | 1.0 | \$30,000 |
| | | \$30,000 |
| Cost/Unit | Number of Units | TOTAL COST |
| \$75 | 19909.9 | \$1,493,300 |
| \$45 | 6644.4 | \$299,000 |
| \$10 | 26554.3 | \$265,600 |
| \$54 | 558.6 | \$30,200 |
| \$27 | 1680.0 | \$45,400 |
| | | \$2,133,500 |
| Cost/Unit | Number of Units | TOTAL COST |
| \$250,000 | 1.0 | \$250,000 |
| | | \$250,000 |
| Cost/Unit | Number of Units | TOTAL COST |
| \$65 | | \$0 |
| | | \$0 |
| Cost/Unit | Number of Units | TOTAL COST |
| | | |
| Option C | | |
| \$2,251,607 | 1.0 | \$2,251,700 |
| | | \$2,251,700 |
| Cost/Unit | Number of Units | TOTAL COST |
| | 4.5 | \$960,800 |
| \$500,000 | 1.0 | \$500,000 |
| \$6,200 | 4.5 | \$27,900 |
| | | \$1,488,700 |
| | | \$7,522,400 |
| | 5% | \$376,200 |
| | 5% | \$376,200 |
| | 20% | \$1,504,500 |
| | | \$9,779,300 |

| Rt 19 Option 5 | | |
|----------------|-----------------|--------------------|
| Cost/Unit | Number of Units | TOTAL COST |
| \$135,000 | 1.0 | \$135,000 |
| \$6 | 3000.0 | \$18,000 |
| \$2 | 27000.0 | \$54,000 |
| \$10 | 169000.0 | \$1,690,000 |
| \$75,000 | 0.5 | \$37,500 |
| | | \$1,934,500 |
| Cost/Unit | Number of Units | TOTAL COST |
| \$75,000 | 1.0 | \$75,000 |
| | | \$75,000 |
| Cost/Unit | Number of Units | TOTAL COST |
| \$75 | 19102.8 | \$1,432,800 |
| \$45 | 7107.2 | \$319,900 |
| \$10 | 26210.0 | \$262,100 |
| \$54 | 415.0 | \$22,500 |
| \$27 | 1579.0 | \$42,700 |
| | | \$2,080,000 |
| Cost/Unit | Number of Units | TOTAL COST |
| \$250,000 | 1.0 | \$250,000 |
| | | \$250,000 |
| Cost/Unit | Number of Units | TOTAL COST |
| \$65 | | \$0 |
| | | \$0 |
| Cost/Unit | Number of Units | TOTAL COST |
| | | |
| Option C | | |
| \$1,424,708 | 1.0 | \$1,424,800 |
| | | \$1,424,800 |
| Cost/Unit | Number of Units | TOTAL COST |
| ** | 4.6 | \$975,000 |
| \$500,000 | 1.0 | \$500,000 |
| \$6,200 | 4.6 | \$28,600 |
| | | \$1,503,600 |
| | | \$7,267,900 |
| | 5% | \$363,400 |
| | 5% | \$363,400 |
| | 20% | \$1,453,600 |
| | | \$9,448,300 |

**ROW cost estimated per Options 1 & 2

| Rt 19 Option 7 | | | | |
|--|-------|-------------|-----------------|---------------------|
| Item | Unit | Cost/Unit | Number of Units | TOTAL COST |
| Removal of Improvements | LS | \$500,000 | 1.0 | \$500,000 |
| Clearing and Grubbing | Acre | \$4,000 | 19.3 | \$77,200 |
| New 2 Lane (Minor) | | | | |
| Grading & Drainage | Mile | \$617,000 | 3.0 | \$1,851,000 |
| Interchange Ramps | | | | |
| Grading & Drainage | Each | \$1,366,000 | 4.0 | \$5,464,000 |
| Roadway Subtotal | | | | \$7,892,200 |
| Item | Unit | Cost/Unit | Number of Units | TOTAL COST |
| Drainage System (Cost included in lane mile estimate) | | | | |
| New 2 Lane (Minor) | | | | |
| Base & Surface | Mile | \$619,000 | 3.0 | \$1,857,000 |
| Interchange Ramps | | | | |
| Base & Surface | Each | \$846,000 | 4.0 | \$3,384,000 |
| Pavement Subtotal | | | | \$5,241,000 |
| Item | Unit | Cost/Unit | Number of Units | TOTAL COST |
| Traffic Control Subtotal | | | | |
| Item | Unit | Cost/Unit | Number of Units | TOTAL COST |
| Retaining Wall Subtotal | | | | |
| Item | Unit | Cost/Unit | Number of Units | TOTAL COST |
| Bridge Structure Subtotal | Each | \$1,651,244 | 1.0 | \$1,651,300 |
| Right-of-Way | AC | ** | 19.3 | \$4,342,500 |
| Utility Adjustments | Each | \$500,000 | 1.0 | \$500,000 |
| Environmental Mitigation | \$/AC | \$6,200 | 19.3 | \$119,700 |
| Other Subtotal | | | | \$4,962,200 |
| Subtotal of Above Costs | | | | \$19,746,700 |
| Maintenance of Traffic | 5% | | | \$987,400 |
| Mobilization | 5% | | | \$987,400 |
| Design Contingency | 20% | | | \$3,949,400 |
| TOTAL CONSTRUCTION BUDGET COST | | | | \$25,670,900 |

**ROW cost estimated per Options 1 & 2



| Estimated Quantities and Costs for Route 19 over I-70 | | | | Option 1A 2-Span (concrete) with MSE Walls on Shoulder | | Option 1B 2-Span (concrete) with MSE Walls behind Ditch | | Option 1C 4-Span (Concrete) with Spill Slopes | | Option 1D 2-Span (Steel) with Spill Slopes | | Option 1E 2-Span (Concrete) with Spill Slopes | |
|---|-------------|--|------------|--|-----------------------|---|-----------------------|---|-----------------------|--|-----------------------|---|-----------------------|
| Job: J2P3090 | | | | Estimated Quantity | Estimated Cost | Estimated Quantity | Estimated Cost | Estimated Quantity | Estimated Cost | Estimated Quantity | Estimated Cost | Estimated Quantity | Estimated Cost |
| Item No | Item | Unit | Unit Price | | | | | | | | | | |
| 206-10.00 | cu. yard | Class 1 Excavation | \$40.00 | 165 | \$6,600.00 | 200 | \$8,000.00 | 165 | \$6,600.00 | 190 | \$7,600.00 | 235 | \$9,400.00 |
| 216-05.00 | lump sum | Removal of Bridges | \$15.00 | | \$117,016.25 | | \$117,016.25 | | \$117,016.25 | | \$117,016.25 | | \$117,016.25 |
| 503-10.10A | sq. yard | Bridge Approach Slab (Major Road) | \$250.00 | 164 | \$41,000.00 | 164 | \$41,000.00 | 164 | \$41,000.00 | 164 | \$41,000.00 | 164 | \$41,000.00 |
| 701-11.07 | linear foot | Drilled Shafts (4 ft. 6 in. Dia) | \$900.00 | 54.0 | \$48,600.00 | 54.0 | \$48,600.00 | 162.0 | \$145,800.00 | 54.0 | \$48,600.00 | 54.0 | \$48,600.00 |
| 701-12.06 | linear foot | Rock Sockets (4 ft. 0 in. Dia.) | \$1,500.00 | 42.0 | \$63,000.00 | 42.0 | \$63,000.00 | 126.0 | \$189,000.00 | 42.0 | \$63,000.00 | 42.0 | \$63,000.00 |
| 701-13.00 | each | Video Camera Inspection | \$1,000.00 | 3 | \$3,000.00 | 3 | \$3,000.00 | 9 | \$9,000.00 | 3 | \$3,000.00 | 3 | \$3,000.00 |
| 701-14.00 | linear foot | Foundation Inspection Holes | \$150.00 | 72.0 | \$10,800.00 | 72.0 | \$10,800.00 | 216.0 | \$32,400.00 | 72.0 | \$10,800.00 | 72.0 | \$10,800.00 |
| 701-16.00 | each | Sonic Logging Testing | \$3,000.00 | 3 | \$9,000.00 | 3 | \$9,000.00 | 9 | \$27,000.00 | 3 | \$9,000.00 | 3 | \$9,000.00 |
| 702-12.12 | linear foot | Galvanized Structural Steel Piles (12 in.) | \$70.00 | 540 | \$37,800.00 | 540 | \$37,800.00 | 540 | \$37,800.00 | 540 | \$37,800.00 | 540 | \$37,800.00 |
| 702-70.00 | each | Pile Point Reinforcement | \$125.00 | 12 | \$1,500.00 | 12 | \$1,500.00 | 12 | \$1,500.00 | 12 | \$1,500.00 | 12 | \$1,500.00 |
| 703-20.03 | cu. yard | Class B Concrete (Substructure) | \$850.00 | 94.5 | \$80,325.00 | 94.5 | \$80,325.00 | 192.2 | \$163,370.00 | 94.5 | \$80,325.00 | 94.5 | \$80,325.00 |
| 703-42.12 | sq. yard | Slab on Steel | \$400.00 | | \$0.00 | | \$0.00 | | \$0.00 | 1195 | \$478,000.00 | | \$0.00 |
| 703-42.19A | linear foot | Barrier Curb (Type D) | \$90.00 | 406 | \$36,540.00 | 486 | \$43,740.00 | 617 | \$55,530.00 | 617 | \$55,530.00 | 617 | \$55,530.00 |
| 703-42.21 | sq. yard | Slab on Concrete NU-Girder | \$380.00 | 742 | \$281,960.00 | 914 | \$347,320.00 | 1195 | \$454,100.00 | | \$0.00 | 1195 | \$454,100.00 |
| 705-60.21 | linear foot | NU 35, Prestressed Concrete NU-Girder | \$250.00 | 674 | \$168,500.00 | 0 | \$0.00 | 1091 | \$272,750.00 | 0 | \$0.00 | 0 | \$0.00 |
| 705-60.22 | linear foot | NU 43, Prestressed Concrete NU-Girder | \$270.00 | 0 | \$0.00 | 0 | \$0.00 | 0 | \$0.00 | 0 | \$0.00 | 0 | \$0.00 |
| 705-60.23 | linear foot | NU 53, Prestressed Concrete NU-Girder | \$280.00 | 0 | \$0.00 | 834 | \$233,520.00 | 0 | \$0.00 | 0 | \$0.00 | 0 | \$0.00 |
| 705-60.25 | linear foot | NU 70, Prestressed Concrete NU-Girder | \$290.00 | 0 | \$0.00 | 0 | \$0.00 | 0 | \$0.00 | 0 | \$0.00 | 1370 | \$397,300.00 |
| 706-10.60 | pound | Reinforcing Steel (Bridges) | \$1.25 | 10270 | \$12,837.50 | 10270 | \$12,837.50 | 30810 | \$38,512.50 | 10270 | \$12,837.50 | 10270 | \$12,837.50 |
| 710-10.00 | pound | Reinforcing Steel (Epoxy Coated) | \$1.40 | 9780 | \$13,692.00 | 9780 | \$13,692.00 | 29330 | \$41,062.00 | 9780 | \$13,692.00 | 9780 | \$13,692.00 |
| 711-02.00 | lump sum | Protective Coating - Concrete Bents and Piers (Epoxy) | | | \$1,884.96 | | \$1,884.96 | | \$5,654.87 | | \$1,884.96 | | \$1,884.96 |
| 711-03.00 | lump sum | Concrete and Masonry Protection System | | | \$4,818.00 | | \$4,818.00 | | \$0.00 | | \$0.00 | | \$0.00 |
| 711-04.00 | lump sum | Sacrificial Graffiti Protection System | | | \$4,818.00 | | \$4,818.00 | | \$0.00 | | \$0.00 | | \$0.00 |
| 712-11.21 | pound | Fabricated Structural Low Alloy Steel (Plate Girder) A709 Grade 50 | \$1.70 | 0 | \$0.00 | 0 | \$0.00 | 0 | \$0.00 | 458410 | \$779,297.00 | 0 | \$0.00 |
| 712-33.01 | each | Steel Intermediate Diaphragms for P/S Concrete Girders | \$1,000.00 | 0 | \$0.00 | 12 | \$12,000.00 | 0 | \$0.00 | 0 | \$0.00 | 16 | \$16,000.00 |
| 712-36.10 | each | Slab Drain | \$600.00 | 12 | \$7,200.00 | 16 | \$9,600.00 | 20 | \$12,000.00 | 20 | \$12,000.00 | 20 | \$12,000.00 |
| 712-53.65A | sq. foot | Intermediate Field Coat (System G) | \$3.20 | 0 | \$0.00 | 0 | \$0.00 | 0 | \$0.00 | 15000 | \$48,000.00 | 0 | \$0.00 |
| 712-53.70A | sq. foot | Finish Field Coat (System G) | \$3.20 | 0 | \$0.00 | 0 | \$0.00 | 0 | \$0.00 | 8300 | \$26,560.00 | 0 | \$0.00 |
| 715-10.01 | each | Vertical Drain at End Bents | \$3,500.00 | 2 | \$7,000.00 | 2 | \$7,000.00 | 2 | \$7,000.00 | 2 | \$7,000.00 | 2 | \$7,000.00 |
| 716-10.00 | each | Plain Neoprene Bearing Pad | \$300.00 | 8 | \$2,400.00 | 8 | \$2,400.00 | 8 | \$2,400.00 | 0 | \$0.00 | 0 | \$0.00 |
| 716-10.02 | each | Laminated Neoprene Bearing Pad | \$400.00 | 8 | \$3,200.00 | 8 | \$3,200.00 | 24 | \$9,600.00 | 12 | \$4,800.00 | 16 | \$6,400.00 |
| 720-10.00 | sq. foot | Mechanically Stabilized Earth Wall Systems | \$55.00 | 4818 | \$264,990.00 | 4818 | \$264,990.00 | 0 | \$0.00 | 0 | \$0.00 | 0 | \$0.00 |
| 720-13.00 | each | Pipe Pile Spacers | \$1,000.00 | 12 | \$12,000.00 | 12 | \$12,000.00 | 0 | \$0.00 | 0 | \$0.00 | 0 | \$0.00 |
| TOTAL | | | | | \$1,240,481.71 | | \$1,393,861.71 | | \$1,669,095.62 | | \$1,859,242.71 | | \$1,398,185.71 |
| Bridge Demolition | | | | | \$117,016.25 | | \$117,016.25 | | \$117,016.25 | | \$117,016.25 | | \$117,016.25 |
| MSE Walls | | | | | \$274,626.00 | | \$274,626.00 | | \$0.00 | | \$0.00 | | \$0.00 |
| Total Bridge Construction Items | | | | | \$848,839.46 | | \$1,002,219.46 | | \$1,552,079.37 | | \$1,742,226.46 | | \$1,281,169.46 |
| deck area sq ft | | | | | 6678 | | 8226 | | 10755 | | 10755 | | 10755 |
| Bridge Items Cost Per sq ft of Deck | | | | | \$127.11 | | \$121.84 | | \$144.31 | | \$161.99 | | \$119.12 |
| Roadway Cost Adjustment for Bridge Length | | | | | \$ 101,600.00 | | \$ 37,600.00 | | \$ - | | \$ - | | \$ - |
| Roadway Cost Adjustment for Profile Raise | | | | | \$ (43,572.83) | | \$ (18,229.42) | | \$ (19,023.12) | | \$ (7,202.61) | | \$ - |
| Total with Roadway Adjustment | | | | | \$1,298,508.88 | | \$1,413,232.29 | | \$1,650,072.50 | | \$1,852,040.09 | | \$1,398,185.71 |
| 20% Contingency | | | | | \$259,701.78 | | \$282,646.46 | | \$330,014.50 | | \$370,408.02 | | \$279,637.14 |
| Total with Contingency | | | | | \$1,558,210.66 | | \$1,695,878.74 | | \$1,980,087.00 | | \$2,222,448.11 | | \$1,677,822.85 |
| Percent of Low Cost | | | | | 100.0% | | 108.8% | | 127.1% | | 142.6% | | 107.7% |

Note: Roadway cost adjustments are based upon roadway base estimate for Option 1E.



| Estimated Quantities and Costs for Route 19 over I-70 | | | | Option 2A 2-Span (concrete) with MSE Walls on Shoulder | | Option 2B 2-Span (concrete) with MSE Walls behind Ditch | | Option 2C 4-Span (Concrete) with Spill Slopes | | Option 2D 2-Span (Steel) with Spill Slopes | | Option 2E 2-Span (Concrete) with Spill Slopes | |
|---|-------------|--|------------|--|-----------------------|---|-----------------------|---|-----------------------|--|-----------------------|---|-----------------------|
| Job: J2P3090 | | | | Estimated Quantity | Estimated Cost | Estimated Quantity | Estimated Cost | Estimated Quantity | Estimated Cost | Estimated Quantity | Estimated Cost | Estimated Quantity | Estimated Cost |
| Item No | Item | Unit | Unit Price | | | | | | | | | | |
| 206-10.00 | cu. yard | Class 1 Excavation | \$40.00 | 245 | \$9,800.00 | 300 | \$12,000.00 | 245 | \$9,800.00 | 280 | \$11,200.00 | 350 | \$14,000.00 |
| 216-05.00 | lump sum | Removal of Bridges | \$15.00 | | \$117,016.25 | | \$117,016.25 | | \$117,016.25 | | \$117,016.25 | | \$117,016.25 |
| 503-10.10A | sq. yard | Bridge Approach Slab (Major Road) | \$250.00 | 253 | \$63,250.00 | 253 | \$63,250.00 | 253 | \$63,250.00 | 253 | \$63,250.00 | 253 | \$63,250.00 |
| 701-11.07 | linear foot | Drilled Shafts (4 ft. 6 in. Dia) | \$900.00 | 72.0 | \$64,800.00 | 72.0 | \$64,800.00 | 216.0 | \$194,400.00 | 72.0 | \$64,800.00 | 72.0 | \$64,800.00 |
| 701-12.06 | linear foot | Rock Sockets (4 ft. 0 in. Dia.) | \$1,500.00 | 42.0 | \$63,000.00 | 42.0 | \$63,000.00 | 126.0 | \$189,000.00 | 42.0 | \$63,000.00 | 42.0 | \$63,000.00 |
| 701-13.00 | each | Video Camera Inspection | \$1,000.00 | 3 | \$3,000.00 | 3 | \$3,000.00 | 9 | \$9,000.00 | 3 | \$3,000.00 | 3 | \$3,000.00 |
| 701-14.00 | linear foot | Foundation Inspection Holes | \$150.00 | 72.0 | \$10,800.00 | 72.0 | \$10,800.00 | 216.0 | \$32,400.00 | 72.0 | \$10,800.00 | 72.0 | \$10,800.00 |
| 701-16.00 | each | Sonic Logging Testing | \$3,000.00 | 3 | \$9,000.00 | 3 | \$9,000.00 | 9 | \$27,000.00 | 3 | \$9,000.00 | 3 | \$9,000.00 |
| 702-12.12 | linear foot | Galvanized Structural Steel Piles (12 in.) | \$70.00 | 900 | \$63,000.00 | 900 | \$63,000.00 | 900 | \$63,000.00 | 900 | \$63,000.00 | 900 | \$63,000.00 |
| 702-70.00 | each | Pile Point Reinforcement | \$125.00 | 20 | \$2,500.00 | 20 | \$2,500.00 | 20 | \$2,500.00 | 20 | \$2,500.00 | 20 | \$2,500.00 |
| 703-20.03 | cu. yard | Class B Concrete (Substructure) | \$850.00 | 136.7 | \$116,195.00 | 136.7 | \$116,195.00 | 280.8 | \$238,680.00 | 136.7 | \$116,195.00 | 136.7 | \$116,195.00 |
| 703-42.12 | sq. yard | Slab on Steel | \$400.00 | | \$0.00 | | \$0.00 | | \$0.00 | 1814 | \$725,600.00 | | \$0.00 |
| 703-42.19A | linear foot | Barrier Curb (Type D) | \$90.00 | 400 | \$36,000.00 | 480 | \$43,200.00 | 616 | \$55,440.00 | 616 | \$55,440.00 | 616 | \$55,440.00 |
| 703-42.21 | sq. yard | Slab on Concrete NU-Girder | \$380.00 | 1110 | \$421,800.00 | 1370 | \$520,600.00 | 1814 | \$689,320.00 | | \$0.00 | 1814 | \$689,320.00 |
| 705-60.21 | linear foot | NU 35, Prestressed Concrete NU-Girder | \$250.00 | 996 | \$249,000.00 | 0 | \$0.00 | 1637 | \$409,250.00 | 0 | \$0.00 | 0 | \$0.00 |
| 705-60.22 | linear foot | NU 43, Prestressed Concrete NU-Girder | \$270.00 | 0 | \$0.00 | 0 | \$0.00 | 0 | \$0.00 | 0 | \$0.00 | 0 | \$0.00 |
| 705-60.23 | linear foot | NU 53, Prestressed Concrete NU-Girder | \$280.00 | 0 | \$0.00 | 1236 | \$346,080.00 | 0 | \$0.00 | 0 | \$0.00 | 0 | \$0.00 |
| 705-60.25 | linear foot | NU 70, Prestressed Concrete NU-Girder | \$290.00 | 0 | \$0.00 | 0 | \$0.00 | 0 | \$0.00 | 0 | \$0.00 | 1918 | \$556,220.00 |
| 706-10.60 | pound | Reinforcing Steel (Bridges) | \$1.25 | 12390 | \$15,487.50 | 12390 | \$15,487.50 | 37180 | \$46,475.00 | 12390 | \$15,487.50 | 12390 | \$15,487.50 |
| 710-10.00 | pound | Reinforcing Steel (Epoxy Coated) | \$1.40 | 14410 | \$20,174.00 | 14410 | \$20,174.00 | 43240 | \$60,536.00 | 14410 | \$20,174.00 | 14410 | \$20,174.00 |
| 711-02.00 | lump sum | Protective Coating - Concrete Bents and Piers (Epoxy) | | | \$2,513.27 | | \$2,513.27 | | \$7,539.82 | | \$2,513.27 | | \$2,513.27 |
| 711-03.00 | lump sum | Concrete and Masonry Protection System | | | \$5,795.00 | | \$5,795.00 | | \$0.00 | | \$2,513.27 | | \$0.00 |
| 711-04.00 | lump sum | Sacrificial Graffiti Protection System | | | \$5,795.00 | | \$5,795.00 | | \$0.00 | | \$2,513.27 | | \$0.00 |
| 712-11.21 | pound | Fabricated Structural Low Alloy Steel (Plate Girder) A709 Grade 50 | \$1.70 | 0 | \$0.00 | 0 | \$0.00 | 0 | \$0.00 | 700050 | \$1,190,085.00 | 0 | \$0.00 |
| 712-33.01 | each | Steel Intermediate Diaphragms for P/S Concrete Girders | \$1,000.00 | 0 | \$0.00 | 20 | \$20,000.00 | 0 | \$0.00 | 0 | \$0.00 | 24 | \$24,000.00 |
| 712-36.10 | each | Slab Drain | \$600.00 | 12 | \$7,200.00 | 16 | \$9,600.00 | 20 | \$12,000.00 | 20 | \$12,000.00 | 20 | \$12,000.00 |
| 712-53.65A | sq. foot | Intermediate Field Coat (System G) | \$3.20 | 0 | \$0.00 | 0 | \$0.00 | 0 | \$0.00 | 22700 | \$72,640.00 | 0 | \$0.00 |
| 712-53.70A | sq. foot | Finish Field Coat (System G) | \$3.20 | 0 | \$0.00 | 0 | \$0.00 | 0 | \$0.00 | 12500 | \$40,000.00 | 0 | \$0.00 |
| 715-10.01 | each | Vertical Drain at End Bents | \$3,500.00 | 2 | \$7,000.00 | 2 | \$7,000.00 | 2 | \$7,000.00 | 2 | \$7,000.00 | 2 | \$7,000.00 |
| 716-10.00 | each | Plain Neoprene Bearing Pad | \$300.00 | 12 | \$3,600.00 | 12 | \$3,600.00 | 12 | \$3,600.00 | 0 | \$0.00 | 0 | \$0.00 |
| 716-10.02 | each | Laminated Neoprene Bearing Pad | \$400.00 | 12 | \$4,800.00 | 12 | \$4,800.00 | 36 | \$14,400.00 | 18 | \$7,200.00 | 28 | \$11,200.00 |
| 720-10.00 | sq. foot | Mechanically Stabilized Earth Wall Systems | \$55.00 | 5795 | \$318,725.00 | 5795 | \$318,725.00 | 0 | \$0.00 | 0 | \$0.00 | 0 | \$0.00 |
| 720-13.00 | each | Pipe Pile Spacers | \$1,000.00 | 20 | \$20,000.00 | 20 | \$20,000.00 | 0 | \$0.00 | 0 | \$0.00 | 0 | \$0.00 |
| TOTAL | | | | | \$1,640,251.02 | | \$1,867,931.02 | | \$2,251,607.07 | | \$2,676,927.57 | | \$1,919,916.02 |
| Bridge Demolition | | | | | \$117,016.25 | | \$117,016.25 | | \$117,016.25 | | \$117,016.25 | | \$117,016.25 |
| MSE Walls | | | | | \$330,315.00 | | \$330,315.00 | | \$0.00 | | \$5,026.55 | | \$0.00 |
| Total Bridge Construction Items | | | | | \$1,192,919.77 | | \$1,420,599.77 | | \$2,134,590.82 | | \$2,554,884.77 | | \$1,802,899.77 |
| deck area sq ft | | | | | 9990 | | 12330 | | 16326 | | 16326 | | 16326 |
| Bridge Items Cost Per sq ft of Deck | | | | | \$119.41 | | \$115.21 | | \$130.75 | | \$156.49 | | \$110.43 |
| Roadway Cost Adjustment for Bridge Length | | | | | \$ 105,600.00 | | \$ 41,600.00 | | \$ - | | \$ - | | \$ - |
| Roadway Cost Adjustment for Profile Raise | | | | | \$ - | | \$ 104,200.00 | | \$ - | | \$ 192,908.18 | | \$ 332,252.53 |
| Total with Roadway Adjustment | | | | | \$1,745,851.02 | | \$2,013,731.02 | | \$2,251,607.07 | | \$2,869,835.75 | | \$2,252,168.55 |
| 20% Contingency | | | | | \$349,170.20 | | \$402,746.20 | | \$450,321.41 | | \$573,967.15 | | \$450,433.71 |
| Total with Contingency | | | | | \$2,095,021.23 | | \$2,416,477.23 | | \$2,701,928.49 | | \$3,443,802.91 | | \$2,702,602.26 |
| Percent of Low Cost | | | | | 100.0% | | 115.3% | | 129.0% | | 164.4% | | 129.0% |

Note: Roadway cost adjustments are based upon roadway base estimate for Option 2C.



| Estimated Quantities and Costs for Route 19 over I-70 | | | | Option 5A 2-Span (concrete) with MSE Walls on Shoulder | | Option 5B 2-Span (concrete) with MSE Walls behind Ditch | | Option 5C 3-Span (Concrete) with Spill Slope North Side and MSE Wall South Side | |
|---|-------------|--|------------|--|-----------------------|---|-----------------------|--|-----------------------|
| Job: J2P3090 | | | | Estimated Quantity | Estimated Cost | Estimated Quantity | Estimated Cost | Estimated Quantity | Estimated Cost |
| Item No | Item | Unit | Unit Price | | | | | | |
| 206-10.00 | cu. yard | Class 1 Excavation | \$40.00 | 215 | \$8,600.00 | 235 | \$9,400.00 | 215 | \$8,600.00 |
| 216-05.00 | lump sum | Removal of Bridges | \$15.00 | | \$117,016.25 | | \$117,016.25 | | \$117,016.25 |
| 503-10.10A | sq. yard | Bridge Approach Slab (Major Road) | \$250.00 | 218 | \$54,500.00 | 218 | \$54,500.00 | 218 | \$54,500.00 |
| 701-11.07 | linear foot | Drilled Shafts (4 ft. 6 in. Dia) | \$900.00 | 54.0 | \$48,600.00 | 54.0 | \$48,600.00 | 108.0 | \$97,200.00 |
| 701-12.06 | linear foot | Rock Sockets (4 ft. 0 in. Dia.) | \$1,500.00 | 42.0 | \$63,000.00 | 42.0 | \$63,000.00 | 84.0 | \$126,000.00 |
| 701-13.00 | each | Video Camera Inspection | \$1,000.00 | 3 | \$3,000.00 | 3 | \$3,000.00 | 6 | \$6,000.00 |
| 701-14.00 | linear foot | Foundation Inspection Holes | \$150.00 | 72.0 | \$10,800.00 | 72.0 | \$10,800.00 | 144.0 | \$21,600.00 |
| 701-16.00 | each | Sonic Logging Testing | \$3,000.00 | 3 | \$9,000.00 | 3 | \$9,000.00 | 6 | \$18,000.00 |
| 702-12.12 | linear foot | Galvanized Structural Steel Piles (12 in.) | \$70.00 | 900 | \$63,000.00 | 900 | \$63,000.00 | 900 | \$63,000.00 |
| 702-70.00 | each | Pile Point Reinforcement | \$125.00 | 20 | \$2,500.00 | 20 | \$2,500.00 | 20 | \$2,500.00 |
| 703-20.03 | cu. yard | Class B Concrete (Substructure) | \$850.00 | 89.9 | \$76,415.00 | 89.9 | \$76,415.00 | 131.5 | \$111,775.00 |
| 703-42.12 | sq. yard | Slab on Steel | \$400.00 | | \$0.00 | | \$0.00 | | \$0.00 |
| 703-42.19A | linear foot | Barrier Curb (Type D) | \$90.00 | 335 | \$30,150.00 | 399 | \$35,910.00 | 463 | \$41,670.00 |
| 703-42.21 | sq. yard | Slab on Concrete NU-Girder | \$380.00 | 808 | \$307,040.00 | 988 | \$375,440.00 | 1168 | \$443,840.00 |
| 705-60.21 | linear foot | NU 35, Prestressed Concrete NU-Girder | \$250.00 | 700 | \$175,000.00 | 0 | \$0.00 | 1014 | \$253,500.00 |
| 705-60.22 | linear foot | NU 43, Prestressed Concrete NU-Girder | \$270.00 | 0 | \$0.00 | 860 | \$232,200.00 | 0 | \$0.00 |
| 705-60.23 | linear foot | NU 53, Prestressed Concrete NU-Girder | \$280.00 | 0 | \$0.00 | 0 | \$0.00 | 0 | \$0.00 |
| 705-60.25 | linear foot | NU 70, Prestressed Concrete NU-Girder | \$290.00 | 0 | \$0.00 | 0 | \$0.00 | 0 | \$0.00 |
| 706-10.60 | pound | Reinforcing Steel (Bridges) | \$1.25 | 10270 | \$12,837.50 | 10270 | \$12,837.50 | 20540 | \$25,675.00 |
| 710-10.00 | pound | Reinforcing Steel (Epoxy Coated) | \$1.40 | 8320 | \$11,648.00 | 8320 | \$11,648.00 | 16640 | \$23,296.00 |
| 711-02.00 | lump sum | Protective Coating - Concrete Bents and Piers (Epoxy) | | | \$1,413.72 | | \$1,413.72 | | \$2,827.43 |
| 711-03.00 | lump sum | Concrete and Masonry Protection System | | | \$5,404.00 | | \$5,404.00 | | \$2,702.00 |
| 711-04.00 | lump sum | Sacrificial Graffiti Protection System | | | \$5,404.00 | | \$5,404.00 | | \$2,702.00 |
| 712-11.21 | pound | Fabricated Structural Low Alloy Steel (Plate Girder) A709 Grade 50 | \$1.70 | 0 | \$0.00 | 0 | \$0.00 | 0 | \$0.00 |
| 712-33.01 | each | Steel Intermediate Diaphragms for P/S Concrete Girders | \$1,000.00 | 0 | \$0.00 | 0 | \$0.00 | 0 | \$0.00 |
| 712-36.10 | each | Slab Drain | \$600.00 | 10 | \$6,000.00 | 12 | \$7,200.00 | 14 | \$8,400.00 |
| 712-53.65A | sq. foot | Intermediate Field Coat (System G) | \$3.20 | 0 | \$0.00 | 0 | \$0.00 | 0 | \$0.00 |
| 712-53.70A | sq. foot | Finish Field Coat (System G) | \$3.20 | 0 | \$0.00 | 0 | \$0.00 | 0 | \$0.00 |
| 715-10.01 | each | Vertical Drain at End Bents | \$3,500.00 | 2 | \$7,000.00 | 2 | \$7,000.00 | 2 | \$7,000.00 |
| 716-10.00 | each | Plain Neoprene Bearing Pad | \$300.00 | 10 | \$3,000.00 | 10 | \$3,000.00 | 10 | \$3,000.00 |
| 716-10.02 | each | Laminated Neoprene Bearing Pad | \$400.00 | 10 | \$4,000.00 | 10 | \$4,000.00 | 20 | \$8,000.00 |
| 720-10.00 | sq. foot | Mechanically Stabilized Earth Wall Systems | \$55.00 | 5404 | \$297,220.00 | 5404 | \$297,220.00 | 2702 | \$148,610.00 |
| 720-13.00 | each | Pipe Pile Spacers | \$1,000.00 | 20 | \$20,000.00 | 20 | \$20,000.00 | 10 | \$10,000.00 |
| TOTAL | | | | | \$1,342,548.47 | | \$1,475,908.47 | | \$1,607,413.68 |
| Bridge Demolition | | | | | \$117,016.25 | | \$117,016.25 | | \$117,016.25 |
| MSE Walls | | | | | \$308,028.00 | | \$308,028.00 | | \$154,014.00 |
| Total Bridge Construction Items | | | | | \$917,504.22 | | \$1,050,864.22 | | \$1,336,383.43 |
| deck area sq ft | | | | | 7272 | | 8892 | | 10512 |
| Bridge Items Cost Per sq ft of Deck | | | | | \$126.17 | | \$118.18 | | \$127.13 |
| Roadway Cost Adjustment for Bridge Length | | | | | \$ - | | \$ (51,200.00) | | \$ (102,400.00) |
| Roadway Cost Adjustment for Profile Raise | | | | | \$ - | | \$ - | | \$ - |
| Total with Roadway Adjustment | | | | | \$1,342,548.47 | | \$1,424,708.47 | | \$1,505,013.68 |
| 15% Contingency | | | | | \$201,382.27 | | \$213,706.27 | | \$225,752.05 |
| Total with Contingency | | | | | \$1,543,930.74 | | \$1,638,414.74 | | \$1,730,765.74 |
| Percent of Low Cost | | | | | 100.0% | | 106.1% | | 112.1% |

Note: Roadway cost adjustments are based upon roadway base estimate for Option 5A.



| Estimated Quantities and Costs for Route 19 over I-70 | | | | Option 7A 2-Span (concrete) with MSE Walls on Shoulder | | Option 7B 2-Span (concrete) with MSE Walls behind Ditch | | Option 7C 4-Span (Concrete) with Spill Slopes | | Option 7D 2-Span (Steel) with Spill Slopes | | Option 7E 2-Span (Concrete) with Spill Slopes | |
|---|-------------|--|------------|--|-----------------------|---|-----------------------|---|-----------------------|--|-----------------------|---|-----------------------|
| Job: J2P3090 | | | | Estimated Quantity | Estimated Cost | Estimated Quantity | Estimated Cost | Estimated Quantity | Estimated Cost | Estimated Quantity | Estimated Cost | Estimated Quantity | Estimated Cost |
| Item No | Item | Unit | Unit Price | | | | | | | | | | |
| 206-10.00 | cu. yard | Class 1 Excavation | \$40.00 | 215 | \$8,600.00 | 260 | \$10,400.00 | 215 | \$8,600.00 | 245 | \$9,800.00 | 305 | \$12,200.00 |
| 216-05.00 | lump sum | Removal of Bridges | \$15.00 | | \$117,016.25 | | \$117,016.25 | | \$117,016.25 | | \$117,016.25 | | \$117,016.25 |
| 503-10.10A | sq. yard | Bridge Approach Slab (Major Road) | \$250.00 | 218 | \$54,500.00 | 218 | \$54,500.00 | 218 | \$54,500.00 | 218 | \$54,500.00 | 218 | \$54,500.00 |
| 701-11.07 | linear foot | Drilled Shafts (4 ft. 6 in. Dia) | \$900.00 | 54.0 | \$48,600.00 | 54.0 | \$48,600.00 | 162.0 | \$145,800.00 | 54.0 | \$48,600.00 | 54.0 | \$48,600.00 |
| 701-12.06 | linear foot | Rock Sockets (4 ft. 0 in. Dia.) | \$1,500.00 | 42.0 | \$63,000.00 | 42.0 | \$63,000.00 | 126.0 | \$189,000.00 | 42.0 | \$63,000.00 | 42.0 | \$63,000.00 |
| 701-13.00 | each | Video Camera Inspection | \$1,000.00 | 3 | \$3,000.00 | 3 | \$3,000.00 | 9 | \$9,000.00 | 3 | \$3,000.00 | 3 | \$3,000.00 |
| 701-14.00 | linear foot | Foundation Inspection Holes | \$150.00 | 72.0 | \$10,800.00 | 72.0 | \$10,800.00 | 216.0 | \$32,400.00 | 72.0 | \$10,800.00 | 72.0 | \$10,800.00 |
| 701-16.00 | each | Sonic Logging Testing | \$3,000.00 | 3 | \$9,000.00 | 3 | \$9,000.00 | 9 | \$27,000.00 | 3 | \$9,000.00 | 3 | \$9,000.00 |
| 702-12.12 | linear foot | Galvanized Structural Steel Piles (12 in.) | \$70.00 | 900 | \$63,000.00 | 900 | \$63,000.00 | 900 | \$63,000.00 | 900 | \$63,000.00 | 900 | \$63,000.00 |
| 702-70.00 | each | Pile Point Reinforcement | \$125.00 | 20 | \$2,500.00 | 20 | \$2,500.00 | 20 | \$2,500.00 | 20 | \$2,500.00 | 20 | \$2,500.00 |
| 703-20.03 | cu. yard | Class B Concrete (Substructure) | \$850.00 | 115.9 | \$98,515.00 | 115.9 | \$98,515.00 | 233.6 | \$198,560.00 | 115.9 | \$98,515.00 | 115.9 | \$98,515.00 |
| 703-42.12 | sq. yard | Slab on Steel | \$400.00 | | \$0.00 | | \$0.00 | | \$0.00 | 1565 | \$626,000.00 | | \$0.00 |
| 703-42.19A | linear foot | Barrier Curb (Type D) | \$90.00 | 383 | \$34,470.00 | 458 | \$41,220.00 | 616 | \$55,440.00 | 616 | \$55,440.00 | 616 | \$55,440.00 |
| 703-42.21 | sq. yard | Slab on Concrete NU-Girder | \$380.00 | 909 | \$345,420.00 | 1120 | \$425,600.00 | 1565 | \$594,700.00 | | \$0.00 | 1565 | \$594,700.00 |
| 705-60.21 | linear foot | NU 35, Prestressed Concrete NU-Girder | \$250.00 | 788 | \$197,000.00 | 0 | \$0.00 | 1364 | \$341,000.00 | 0 | \$0.00 | 0 | \$0.00 |
| 705-60.22 | linear foot | NU 43, Prestressed Concrete NU-Girder | \$270.00 | 0 | \$0.00 | 975 | \$263,250.00 | 0 | \$0.00 | 0 | \$0.00 | 0 | \$0.00 |
| 705-60.23 | linear foot | NU 53, Prestressed Concrete NU-Girder | \$280.00 | 0 | \$0.00 | 0 | \$0.00 | 0 | \$0.00 | 0 | \$0.00 | 0 | \$0.00 |
| 705-60.25 | linear foot | NU 70, Prestressed Concrete NU-Girder | \$290.00 | 0 | \$0.00 | 0 | \$0.00 | 0 | \$0.00 | 0 | \$0.00 | 1644 | \$476,760.00 |
| 706-10.60 | pound | Reinforcing Steel (Bridges) | \$1.25 | 10270 | \$12,837.50 | 10270 | \$12,837.50 | 30810 | \$38,512.50 | 10270 | \$12,837.50 | 10270 | \$12,837.50 |
| 710-10.00 | pound | Reinforcing Steel (Epoxy Coated) | \$1.40 | 11780 | \$16,492.00 | 11780 | \$16,492.00 | 35330 | \$49,462.00 | 11780 | \$16,492.00 | 11780 | \$16,492.00 |
| 711-02.00 | lump sum | Protective Coating - Concrete Bents and Piers (Epoxy) | | | \$1,884.96 | | \$1,884.96 | | \$5,654.87 | | \$1,884.96 | | \$1,884.96 |
| 711-03.00 | lump sum | Concrete and Masonry Protection System | | | \$5,404.00 | | \$5,404.00 | | \$0.00 | | \$0.00 | | \$0.00 |
| 711-04.00 | lump sum | Sacrificial Graffiti Protection System | | | \$5,404.00 | | \$5,404.00 | | \$0.00 | | \$0.00 | | \$0.00 |
| 712-11.21 | pound | Fabricated Structural Low Alloy Steel (Plate Girder) A709 Grade 50 | \$1.70 | 0 | \$0.00 | 0 | \$0.00 | 0 | \$0.00 | 605280 | \$1,028,976.00 | 0 | \$0.00 |
| 712-33.01 | each | Steel Intermediate Diaphragms for P/S Concrete Girders | \$1,000.00 | 0 | \$0.00 | 0 | \$0.00 | 0 | \$0.00 | 0 | \$0.00 | 20 | \$20,000.00 |
| 712-36.10 | each | Slab Drain | \$600.00 | 12 | \$7,200.00 | 14 | \$8,400.00 | 20 | \$12,000.00 | 20 | \$12,000.00 | 20 | \$12,000.00 |
| 712-53.65A | sq. foot | Intermediate Field Coat (System G) | \$3.20 | 0 | \$0.00 | 0 | \$0.00 | 0 | \$0.00 | 20100 | \$64,320.00 | 0 | \$0.00 |
| 712-53.70A | sq. foot | Finish Field Coat (System G) | \$3.20 | 0 | \$0.00 | 0 | \$0.00 | 0 | \$0.00 | 11000 | \$35,200.00 | 0 | \$0.00 |
| 715-10.01 | each | Vertical Drain at End Bents | \$3,500.00 | 2 | \$7,000.00 | 2 | \$7,000.00 | 2 | \$7,000.00 | 2 | \$7,000.00 | 2 | \$7,000.00 |
| 716-10.00 | each | Plain Neoprene Bearing Pad | \$300.00 | 10 | \$3,000.00 | 10 | \$3,000.00 | 10 | \$3,000.00 | 0 | \$0.00 | 0 | \$0.00 |
| 716-10.02 | each | Laminated Neoprene Bearing Pad | \$400.00 | 10 | \$4,000.00 | 10 | \$4,000.00 | 30 | \$12,000.00 | 15 | \$6,000.00 | 24 | \$9,600.00 |
| 720-10.00 | sq. foot | Mechanically Stabilized Earth Wall Systems | \$55.00 | 5404 | \$297,220.00 | 5404 | \$297,220.00 | 0 | \$0.00 | 0 | \$0.00 | 0 | \$0.00 |
| 720-13.00 | each | Pipe Pile Spacers | \$1,000.00 | 20 | \$20,000.00 | 20 | \$20,000.00 | 0 | \$0.00 | 0 | \$0.00 | 0 | \$0.00 |
| TOTAL | | | | | \$1,435,863.71 | | \$1,592,043.71 | | \$1,966,145.62 | | \$2,345,881.71 | | \$1,688,845.71 |
| Bridge Demolition | | | | | \$117,016.25 | | \$117,016.25 | | \$117,016.25 | | \$117,016.25 | | \$117,016.25 |
| MSE Walls | | | | | \$308,028.00 | | \$308,028.00 | | \$0.00 | | \$0.00 | | \$0.00 |
| Total Bridge Construction Items | | | | | \$1,010,819.46 | | \$1,166,999.46 | | \$1,849,129.37 | | \$2,228,865.46 | | \$1,571,829.46 |
| deck area sq ft | | | | | 8181 | | 10080 | | 14085 | | 14085 | | 14085 |
| Bridge Items Cost Per sq ft of Deck | | | | | \$123.56 | | \$115.77 | | \$131.28 | | \$158.24 | | \$111.60 |
| Roadway Cost Adjustment for Bridge Length | | | | | \$ 119,200.00 | | \$ 59,200.00 | | \$ - | | \$ - | | \$ - |
| Roadway Cost Adjustment for Profile Raise | | | | | \$ - | | \$ - | | \$ - | | \$ 226,831.72 | | \$ 296,073.13 |
| Total with Roadway Adjustment | | | | | \$1,555,063.71 | | \$1,651,243.71 | | \$1,966,145.62 | | \$2,572,713.42 | | \$1,984,918.83 |
| 15% Contingency | | | | | \$233,259.56 | | \$247,686.56 | | \$294,921.84 | | \$385,907.01 | | \$297,737.83 |
| Total with Contingency | | | | | \$1,788,323.26 | | \$1,898,930.26 | | \$2,261,067.46 | | \$2,958,620.43 | | \$2,282,656.66 |
| Percent of Low Cost | | | | | 100.0% | | 106.2% | | 126.4% | | 165.4% | | 127.6% |

Note: Roadway cost adjustments are based upon roadway base estimate for Option 7C.

Appendix D

Traffic Memorandum

MEMORANDUM

Date: May 31, 2019

To: MoDOT

From: Carrie A. Falkenrath, PE, PTOE, PTP, RSP

Subject: Technical Memorandum for Traffic Impact Study

Project: MO Route 19 over Interstate-70
T² Project No: 2018-07
Jacobs Project No: F3W94500-S19-0002
MoDOT Project No: J2P3090

T² Traffic & Transportation is working with Jacobs Engineering Group to complete a Bridge Replacement Study for MoDOT Bridge A-0986 carrying MO Route 19 over Interstate 70 in Montgomery, County, MO, and associated interchange and outer road modifications. The project team met with MoDOT Project representatives regarding initial scoping of the project August 7, 2018. Once the project initiated, a team call on April 11, 2019 confirmed additional details. This memorandum serves to document the assumptions defined during those two project meetings, the existing conditions within the project corridor, and the build analysis methodologies to be documented in the final project report.

Study Area

The project is located in New Florence, Missouri, as shown in **Figure 1**. Missouri Route 19 runs north-south through the western portion of the City and Interstate 70 passes through the City southwest of its downtown area. The study corridor, shown in **Figure 2**, is Missouri Route 19 at the I-70 interchange, including its intersections at the eastbound and westbound ramp terminals, Tree Farm Road (south outer road), and Booneslick Road (north outer road).

Existing Conditions

EXISTING ROAD NETWORK

MO Route 19 is a two-lane minor arterial owned and maintained by the Missouri Department of Transportation (MoDOT). There is one northbound and one southbound lane through the study area. The posted speed is 45 mph for traffic approaching outer roads and 55 mph for traffic departing the study corridor. The lanes are approximately 11-foot wide with varying shoulder widths throughout the corridor.

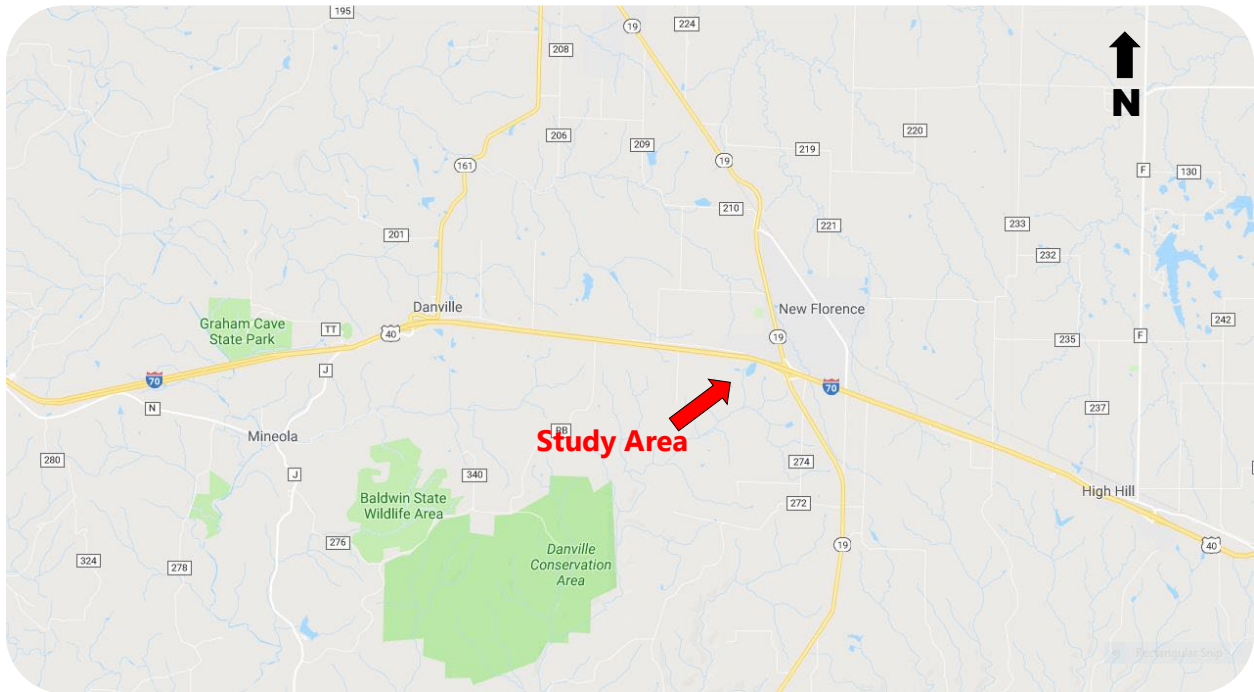


Figure 1: Project Area

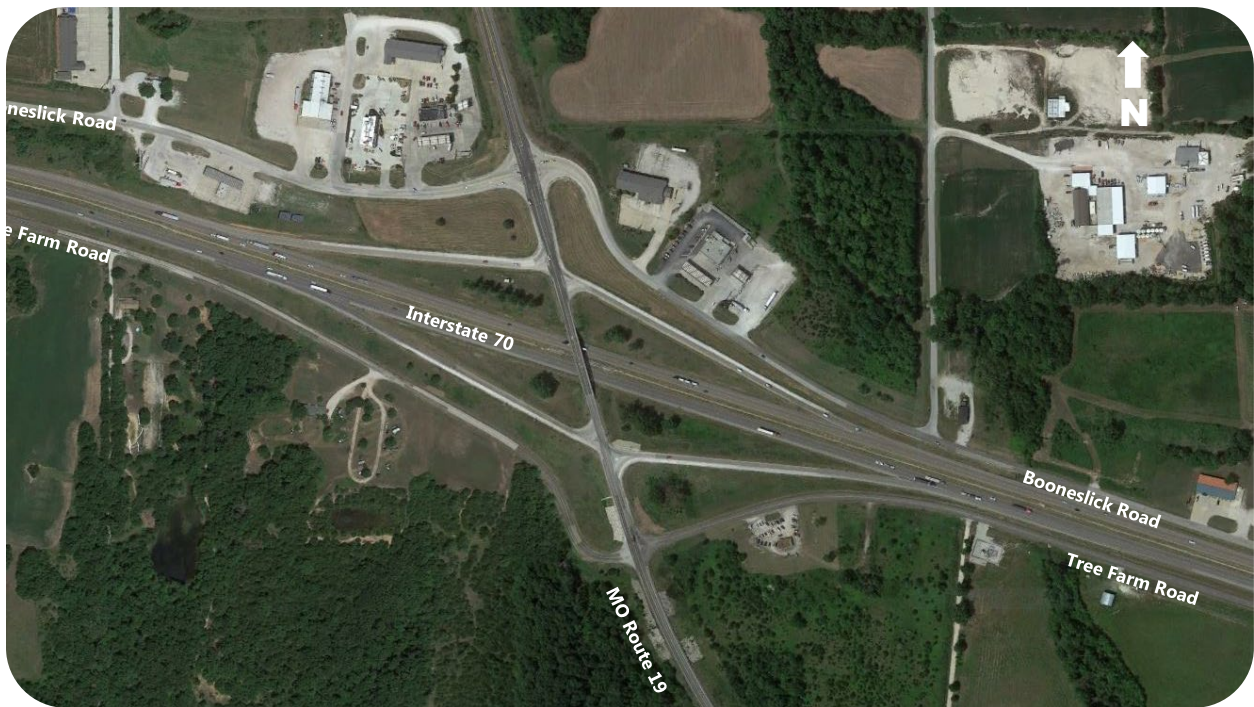


Figure 2: Study Corridor



The intersection at Booneslick Road is signalized and incorporates left- and right-turn lanes of varying storage lengths. The Route 19 north- and southbound approaches consist of a left-turn lane, thru lane, and right-turn lane. The Booneslick Road east- and westbound approaches both include a shared left-turn/thru lane and a right-turn lane. The signal phasing utilizes protected plus permissive phasing for the Route 19 approaches and permissive (only) phasing for the Booneslick Road approaches.

Interstate 70 passes under Route 19 at their junction. I-70 is currently a four-lane divided facility (two lanes eastbound and two lanes westbound). The interchange is a diamond-configuration with single-lane access ramps terminating at two-way stop-controlled (TWSC) intersections.

Tree Farm Road (south outer road) is a two-lane roadway that parallels I-70, also under MoDOT’s jurisdiction. The road is approximately 24-feet wide west of Route 19, and 22-feet wide to its east. The Tree Farm Road approaches to Route 19 are stop-controlled (with the main road uncontrolled). The posted speed limit is 55 mph throughout the project area.

Booneslick Road (north outer road) is also a two-lane roadway owned and maintained by MoDOT. The facility also parallels I-70 but is separated by a greater distance than the south outer road with some development between the two in the northwest quadrant of the interchange. The road is approximately 24-feet wide (outside of its signalized intersection with Route 19) and the posted speed limit is 35 mph.

EXISTING TRAFFIC VOLUMES

The existing traffic volumes were provided by MoDOT from counts collected on Thursday, November 30, 2017 between 6:00 AM and 6:00 PM at the study intersections. Based on that data, the weekday peak hour periods within the study corridor were determined to be 7:15 – 8:15 AM and 4:00 – 5:00 PM. The peak hour volumes are shown in **Figure 3** (AM) and **Figure 4** (PM).

Table 1: Existing Truck Percentages

| Roadway | AM | | PM | |
|-----------------|-------------------------|-------------------------|-------------------------|-------------------------|
| | Northbound or Westbound | Southbound or Eastbound | Northbound or Westbound | Southbound or Eastbound |
| MO Route 19 | 25% | 20% | 10% | 5% |
| Tree Farm Road | 40% | 25% | 15% | 10% |
| Booneslick Road | 15% | 20% | 5% | 5% |
| I-70 Ramps | 15% | 20% | 5% | 15% |



Figure 3: Existing AM Peak Hour Volumes



Figure 4: Existing PM Peak Hour Volumes



EXISTING SYNCHRO ANALYSIS

Synchro models for the existing study corridor were provided by MoDOT to the project team on September 24, 2018. The models were created for a previous study and MoDOT confirmed they incorporated the most recent existing traffic volume data and signal timings (at Route 19 and Booneslick Rd.). **Table 2** summarizes the results of the Synchro analyses - the calculated existing levels of service (LOS) and average delays during the weekday AM and PM peak hours.

Table 2 – Operating Conditions of Existing Study Intersections

| <i>Intersection/Movement</i> | <i>Weekday AM Peak Hour</i> | <i>Weekday PM Peak Hour</i> |
|--|-----------------------------|-----------------------------|
| MO Route 19 at Tree Farm Road (twsc) | | |
| Eastbound Tree Farm Road Approach | B (10.8) 5' | B (11.1) 5' |
| Westbound Tree Farm Road Approach | A (9.9) 5' | A (9.9) 5' |
| Northbound MO Route 19 Approach | A (0.1) 0' | A (0.2) 0' |
| Southbound MO Route 19 Approach | A (0.5) 0' | A (0.5) 5' |
| <i>Overall Intersection</i> | A (2.1) | A (1.6) |
| MO Route 19 at I-70 Eastbound Ramp Terminals (twsc) | | |
| Eastbound I-70 Exit Ramp Approach | B (14.5) 15' | C (16.4) 25' |
| Northbound MO Route 19 Approach | Free Flow | Free Flow |
| Southbound MO Route 19 Approach | A (5.5) 10' | A (5.5) 15' |
| <i>Overall Intersection</i> | A (4.8) | A (5.7) |
| MO Route 19 at I-70 Westbound Ramp Terminals (twsc) | | |
| Westbound I-70 Exit Ramp Approach | B (11.4) 35' | B (12.6) 40' |
| Northbound MO Route 19 Approach | A (1.0) 5' | A (1.2) 5' |
| Southbound MO Route 19 Approach | Free Flow | Free Flow |
| <i>Overall Intersection</i> | A (4.3) | A (3.9) |
| MO Route 19 at Booneslick Road (signalized) | | |
| Eastbound Booneslick Rd. Approach | A (9.1) 35' | B (11.4) 40' |
| Westbound Booneslick Rd. Approach | B (12.7) 45' | C (20.1) 65' |
| Northbound MO Route 19 Approach | A (6.3) 95' | A (6.9) 85' |
| Southbound MO Route 19 Approach | B (11.4) 70' | B (14.0) 110' |
| <i>Overall Intersection</i> | A (8.9) | B (11.5) |

X (XX.X) XXX': Level of Service (avg. veh delay in sec/veh) 95th Percentile Queue Length in feet



As shown in Table 2, all but one of the study intersections operate at LOS A during both the AM and PM peak hours – the exception is Route 19 at Booneslick Rd. during the evening peak (LOS B). In addition, all of the approaches generally operate at high levels of service during both peak hours with only two approaches operating at a LOS C during the PM peak: the eastbound I-70 exit ramp and the westbound Booneslick Road approach.

It is noted that Synchro version 9 (used for this project) utilizes the methodologies of the Highway Capacity Manual (HCM), 2000 release. However, beginning with Synchro v8, the software incorporates an analysis module based on the methodologies of the HCM 2010, which includes significant changes requiring more intense calculations in some aspects. Through discussions with MoDOT staff, the decision was made to utilize the standard Synchro v9 analysis results (rather than output from the HCM 2010 module) to be consistent with previous modeling in the project area and because the results are, generally, more conservative.

Volume Forecasts

In order to evaluate the future operations of the existing interchange (and alternative design options) an effort was made to forecast the 20-year volumes at the interchange. These forecasts are based on a combination of an annual average (“background”) growth in traffic and additional trips generated from potential new development.

BACKGROUND TRAFFIC GROWTH

Through coordination with the MoDOT project team (April 11, 2019), it was determined that the annual average growth rate in the study area is 0.5% per year.

FUTURE DEVELOPMENT VOLUMES

In regard to potential future development, there is currently a proposal to develop a “Travel Stop” in the southeast quadrant of the existing intersection. MoDOT anticipates a similar development proposal for the southwest quadrant, as well. Therefore, the projected Construction Year (2021) traffic volumes incorporate a 13,000-square-foot Truck Stop located on Tree Farm Road east of Route 19. The Design Year (2041) projected volumes incorporate an additional Truck Stop of the same size on Tree Farm Road west of Route 19. Although there is some potential for development and/or redevelopment in the north quadrants of the intersection, MoDOT feels the impacts will be significantly less than the new development to the south.

For consistency, the future development volumes utilized for this forecast reflect those determined by a previous Traffic Impact Study prepared (*“Proposed Love’s Travel Stop – Traffic Impact Study” April 24, 2018*). Following industry standards, the study utilized the recommended methodologies within the ITE Trip Generation Manual. The trip generation forecast for this development is reproduced in **Table 3**. The site projections were based on the data for Land Use: 950 – Truck Stop. It was estimated that trucks would account for approximately 50% of future site trips (established by historical truck data from other facilities). Furthermore, approximately 75% of the future site trips would be not be new trips to the area, but vehicles diverted from I-70 (80% of the diverted trips) and Route 19 (20% of the diverted trips).



Table 3: Trip Generation for Proposed Truck Stop
 (“Proposed Love’s Travel Stop – Traffic Impact Study”; April 24, 2018)

| ITE Land Use | Size | Daily Trips | AM Peak Hour | | | PM Peak Hour | | |
|-------------------------------------|-----------|--------------|--------------|------------|------------|--------------|------------|------------|
| | | | In | Out | Total | In | Out | Total |
| 950: Truck Stop | 13,278 sf | 6,050 | 175 | 175 | 350 | 160 | 140 | 300 |
| Estimated Truck Volume (50%) | | 3,025 | 85 | 85 | 170 | 80 | 70 | 150 |
| Estimated Passenger Vehicles (50%) | | 3,025 | 90 | 90 | 180 | 80 | 70 | 150 |
| Diverted/Pass-By Trips (75%) | | 4,535 | 130 | 130 | 260 | 110 | 110 | 220 |
| Total New Trips | | 1,515 | 45 | 45 | 90 | 50 | 30 | 80 |

The estimated site traffic was then assigned routes to and from the site based on an estimated “directional distribution”. The estimated pass-by trips were assigned routes that reflected the existing travel patterns on Route 19 in the current study corridor. The resulting trip distribution is shown below in Table 4. Again, for consistency, this distribution was utilized for the development traffic incorporated into the Year 2021 and Year 2041 future volumes for this study.

Table 4: Future Trip Distribution Assumptions
 (“Proposed Love’s Travel Stop – Traffic Impact Study”; April 24, 2018)

| ITE Land Use | Size | Daily Trips | AM Peak Hour | | | PM Peak Hour | | |
|-------------------------------------|-----------|--------------|--------------|------------|------------|--------------|------------|------------|
| | | | In | Out | Total | In | Out | Total |
| 950: Truck Stop | 13,278 sf | 6,050 | 175 | 175 | 350 | 160 | 140 | 300 |
| Estimated Truck Volume (50%) | | 3,025 | 85 | 85 | 170 | 80 | 70 | 150 |
| Estimated Passenger Vehicles (50%) | | 3,025 | 90 | 90 | 180 | 80 | 70 | 150 |
| Diverted/Pass-By Trips (75%) | | 4,535 | 130 | 130 | 260 | 110 | 110 | 220 |
| Total New Trips | | 1,515 | 45 | 45 | 90 | 50 | 30 | 80 |

The average annual background growth and future development volumes were added to the existing volumes to arrive at the future projected volumes for the Construction Year (2021) and Design Year (2014). The resulting projected 2021 volumes are shown in **Figure 5** (AM) and **Figure 6** (PM), and the projected 2014 volumes are shown in **Figure 7** (AM) and **Figure 8** (PM). It should be noted that potential addition of two truck-stop-type developments has a significant impact on the truck percentages within the study corridor, as shown below in **Table 5**.

Table 5: Projected 2041 Truck Percentages

| Roadway | AM | | PM | |
|-----------------|-------------------------|-------------------------|-------------------------|-------------------------|
| | Northbound or Westbound | Southbound or Eastbound | Northbound or Westbound | Southbound or Eastbound |
| MO Route 19 | 40% | 40% | 30% | 30% |
| Tree Farm Road | 45% | 45% | 45% | 45% |
| Booneslick Road | 15% | 20% | 5% | 5% |
| I-70 Ramps | 30% | 40% | 20% | 30% |



Figure 5: Projected Construction Year (2021) AM Peak Hour Volumes



Figure 6: Projected Construction Year (2021) PM Peak Hour Volumes



Figure 7: Projected Design Year (2041) AM Peak Hour Volumes



Figure 8: Projected Design Year (2041) PM Peak Hour Volumes



No-Build Synchro Analyses

In order to determine the potential impacts of design alternatives, the operations of the future “No-Build” networks are calculated utilizing SYNCHRO software. The existing AM and PM peak hour models discussed previously were modified to reflect the projected future volumes for both the Construction (2021) and Design (2041) year scenario. Through discussions with MoDOT, it was confirmed that a southbound-left-turn lane is anticipated to be needed at the Tree Farm Road (South Outer Road) intersection during the construction of the proposed travel stop in the southeast quadrant of the interchange. Therefore, both the Construction Year (2021) and Design Year (2041) no-build scenarios include this geometric change as a second analyses. The results of the No-Build analyses are shown in **Table 6** (2021) and **Table 7** (2041).

Table 6 – Anticipated Construction Year (2021) No-Build Operating Conditions

| <i>Intersection/Movement</i> | <i>Weekday AM Peak Hour</i> | <i>Weekday PM Peak Hour</i> | <i>Weekday AM Peak Hr. with SBL @ SOR</i> | <i>Weekday PM Peak Hr. with SBL @ SOR</i> |
|--|-----------------------------|-----------------------------|---|---|
| MO Route 19 at Tree Farm Road (twsc) | | | | |
| Eastbound Tree Farm Road Approach | D (25.9) 10' | D (31.2) 10' | D (25.9) 10' | D (31.2) 10' |
| Westbound Tree Farm Road Approach | C (15.7) 70' | C (19.9) 105' | C (15.7) 70' | C (19.9) 105' |
| Northbound MO Route 19 Approach | A (0.1) 0' | A (0.2) 0' | A (0.1) 0' | A (0.2) 0' |
| Southbound MO Route 19 Approach | A (6.2) 15' | A (5.2) 15' | A (5.7) 15' SBL | A (4.4) 15' SBL |
| Overall Intersection | A (9.3) | B (10.6) | A (9.2) | B (10.3) |
| MO Route 19 at I-70 Eastbound Ramp Terminals (twsc) | | | | |
| Eastbound I-70 Exit Ramp Approach | C (17.4) 35' | C (20.3) 40' | C (17.4) 35' | C (20.3) 40' |
| Northbound MO Route 19 Approach | Free Flow | Free Flow | Free Flow | Free Flow |
| Southbound MO Route 19 Approach | A (4.5) 10' | A (5.0) 15' | A (4.5) 10' | A (5.0) 15' |
| Overall Intersection | A (4.7) | A (5.7) | A (4.7) | A (5.7) |
| MO Route 19 at I-70 Westbound Ramp Terminals (twsc) | | | | |
| Westbound I-70 Exit Ramp Approach | C (18.7) 80' | C (24.6) 115' | C (18.7) 80' | C (24.6) 115' |
| Northbound MO Route 19 Approach | A (3.1) 5' | A (3.2) 7' | A (3.1) 5' | A (3.2) 7' |
| Southbound MO Route 19 Approach | Free Flow | Free Flow | Free Flow | Free Flow |
| Overall Intersection | A (7.5) | A (8.1) | A (7.5) | A (8.1) |
| MO Route 19 at Booneslick Road (signalized) | | | | |
| Eastbound Booneslick Rd. Approach | A (9.7) 40' | B (11.7) 40' | A (9.7) 40' | B (11.7) 40' |
| Westbound Booneslick Rd. Approach | B (13.6) 50' | C (21.0) 65' | B (13.6) 50' | C (21.0) 65' |
| Northbound MO Route 19 Approach | A (6.5) 115' | A (7.0) 95' | A (6.5) 115' | A (7.0) 95' |
| Southbound MO Route 19 Approach | B (11.7) 90' | B (15.0) 130' | B (11.7) 90' | B (15.0) 130' |
| Overall Intersection | A (9.2) | B (12.1) | A (9.2) | B (12.1) |

X (XX.X) XXX': Level of Service (avg. veh delay in sec/veh) 95th Percentile Queue Length in feet



An additional geometric change was required for the Design Year (2041) No-Build scenario. Due to the projected increased traffic at Route 19 and Tree Farm Road, the intersection is anticipated to be critically over-capacity. Therefore, the intersection was modified to reflect all-way stop control (AWSC) to provide a minimum change that would increase capacity by providing much-needed gaps for traffic on the eastbound and westbound legs of that intersection. The operational analysis results in **Table 7** reflect this change.

Table 7 – Anticipated Design Year (2041) No-Build Operating Conditions

| <i>Intersection/Movement</i> | <i>Weekday AM Peak Hour</i> | <i>Weekday PM Peak Hour</i> | <i>AM Peak Hr. with 4-way & SBL @ SOR</i> | <i>PM Peak Hr. with 4-way & SBL @ SOR</i> |
|--|-----------------------------|-----------------------------|---|---|
| MO Route 19 at Tree Farm Road (AWSC)* | | | | |
| Eastbound Tree Farm Road Approach | E (41.0) | C (20.1) | D (33.4) | C (19.6) |
| Westbound Tree Farm Road Approach | E (40.0) | E (39.7) | D (31.9) | E (37.0) |
| Northbound MO Route 19 Approach | C (21.2) | C (18.0) | C (19.3) | C (18.0) |
| Southbound MO Route 19 Approach | F (78.2) | F (129.2) | C (19.8) | D (26.0) |
| Overall Intersection | E (49.8) | F (70.5) | D (26.4) | D (27.1) |
| MO Route 19 at I-70 Eastbound Ramp Terminals (twsc) | | | | |
| Eastbound I-70 Exit Ramp Approach | E (35.1) 115' | E (38.8) 106' | E (35.1) 115' | E (38.8) 106' |
| Northbound MO Route 19 Approach | Free Flow | Free Flow | Free Flow | Free Flow |
| Southbound MO Route 19 Approach | A (4.4) 15' | A (5.0) 20' | A (4.4) 15' | A (5.0) 20' |
| Overall Intersection | A (7.8) | A (8.4) | A (7.8) | A (8.4) |
| MO Route 19 at I-70 Westbound Ramp Terminals (twsc) | | | | |
| Westbound I-70 Exit Ramp Approach | F (123.2) 390' | F (259.7) 570' | F (123.2) 390' | F (259.7) 570' |
| Northbound MO Route 19 Approach | A (4.5) 15' | A (4.9) 15' | A (4.5) 15' | A (4.9) 15' |
| Southbound MO Route 19 Approach | Free Flow | Free Flow | Free Flow | Free Flow |
| Overall Intersection | E (44.5) | F (79.0) | E (44.5) | F (79.0) |
| MO Route 19 at Booneslick Road (signalized) | | | | |
| Eastbound Booneslick Rd. Approach | B (11.5) 45' | B (12.3) 45' | B (11.5) 45' | B (12.3) 45' |
| Westbound Booneslick Rd. Approach | B (15.7) 55' | C (23.5) 70' | B (15.7) 55' | C (23.5) 70' |
| Northbound MO Route 19 Approach | A (7.9) 145' | A (7.4) 120' | A (7.9) 145' | A (7.4) 120' |
| Southbound MO Route 19 Approach | B (13.4) 115' | B (18.0) 175' | B (13.4) 115' | B (18.0) 175' |
| Overall Intersection | B (10.8) | B (13.7) | B (10.8) | B (13.7) |

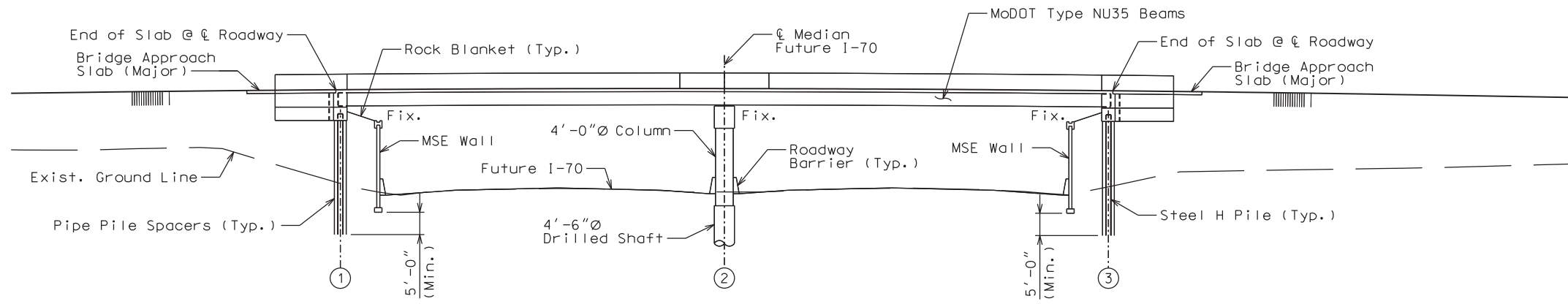
X (XX.X) XXX': Level of Service (avg. veh delay in sec/veh) 95th Percentile Queue Length in feet

The project team appreciates your review of the preliminary study data. Please contact me at your convenience with any comments or questions on this information. I can be reached via email at carrie@tsquaredtt.com or phone at 314.375.3748.

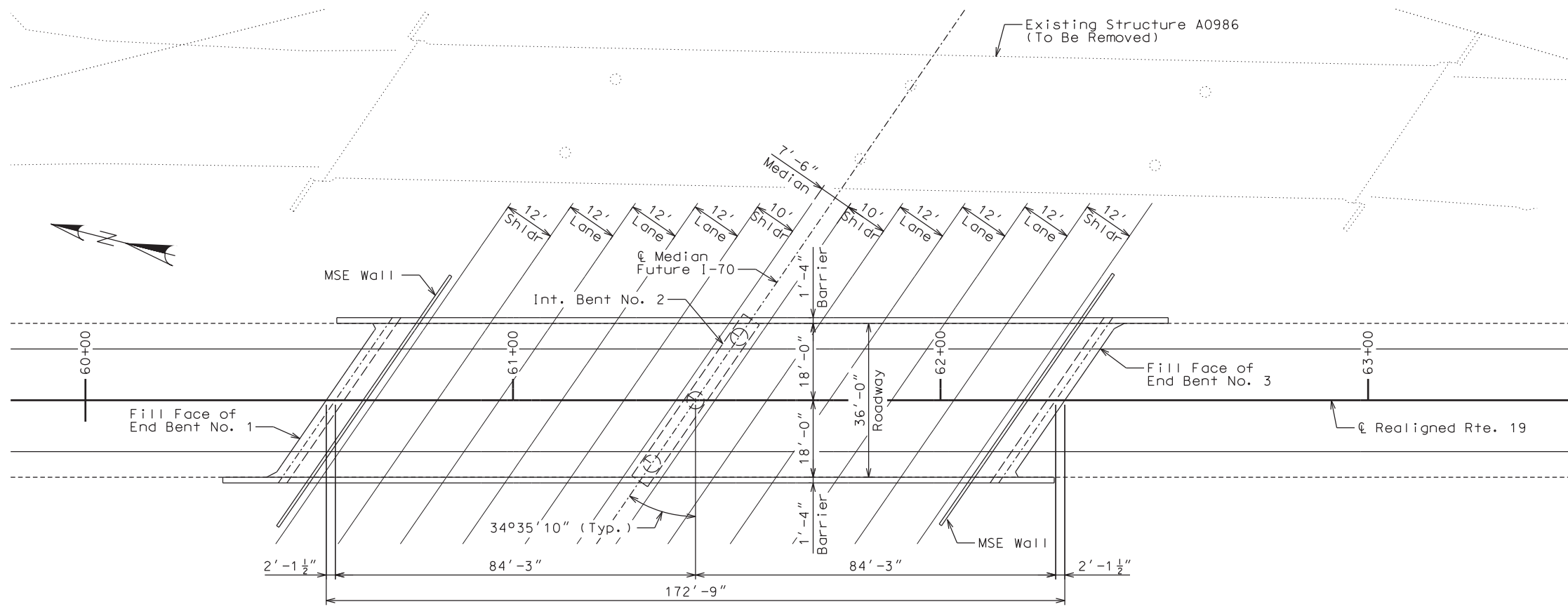
Appendix E

Bridge Type Plans

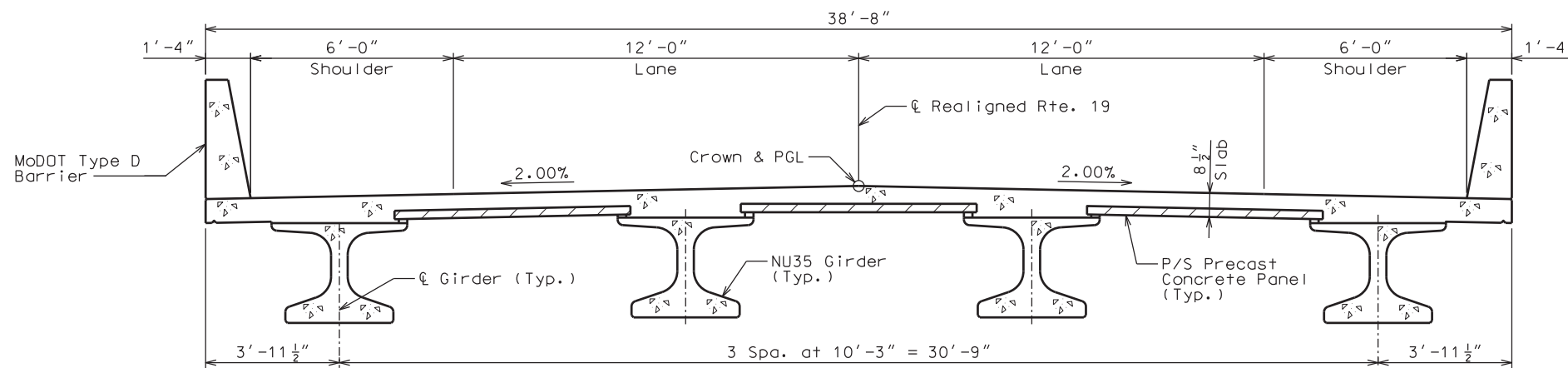
(84.25' - 84.25') PRESTRESSED CONCRETE NU35 GIRDER SPANS



ELEVATION



PLAN



TYPICAL SECTION

BRIDGE: ROUTE 19 OVER I-70
 OPTION 1A

Detailed July 2019
 Checked July 2019

Note: This drawing is not to scale. Follow dimensions.

FOR INFORMATION ONLY. NOT FOR CONSTRUCTION

DATE PREPARED \$DATE\$

ROUTE RTE 19 STATE MO

DISTRICT BR SHEET NO.

COUNTY MONTGOMERY

JOB NO. J2P3090

CONTRACT ID.

PROJECT NO.

BRIDGE NO.

| DATE | DESCRIPTION |
|------|-------------|
| | |
| | |
| | |
| | |
| | |

MISSOURI HIGHWAYS AND TRANSPORTATION COMMISSION

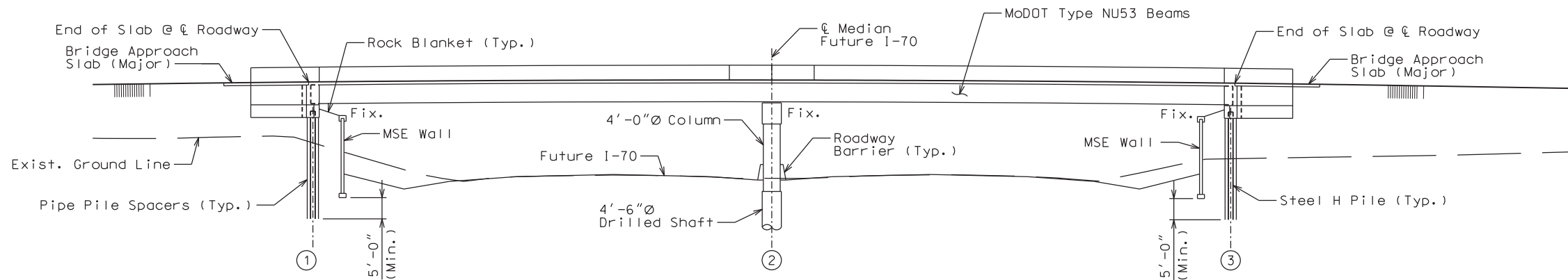
105 WEST CAPITOL
 JEFFERSON CITY, MO 65102
 1-888-ASK-MODOT (1-888-275-6636)

JACOBS

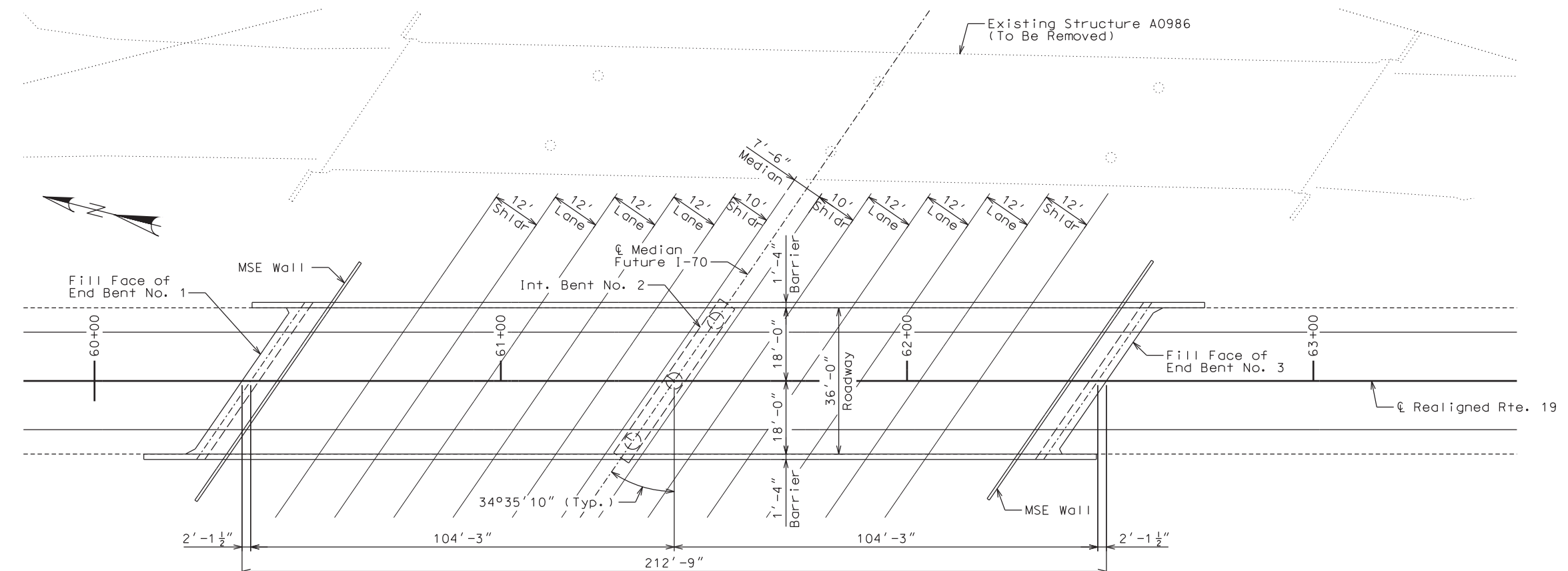
JACOBS ENGINEERING GROUP
 901 NORTH BROADWAY
 ST. LOUIS, MISSOURI 63102-2121
 CERTIFICATE OF AUTHORITY #00704

REV. DATE DESCRIPTION

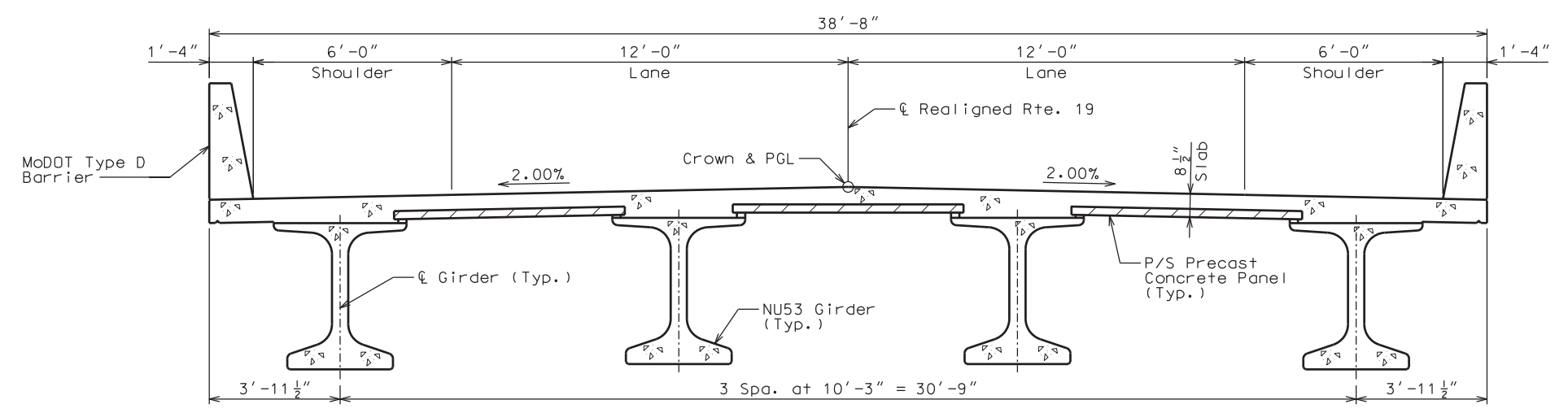
(104.25' - 104.25') PRESTRESSED CONCRETE NU53 GIRDER SPANS



ELEVATION



PLAN





TYPICAL SECTION

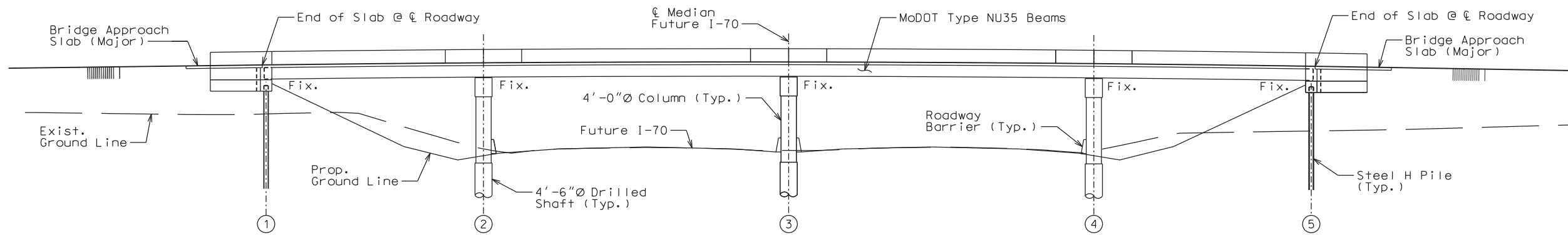
BRIDGE: ROUTE 19 OVER I-70
OPTION 1B

Detailed July 2019
Checked July 2019

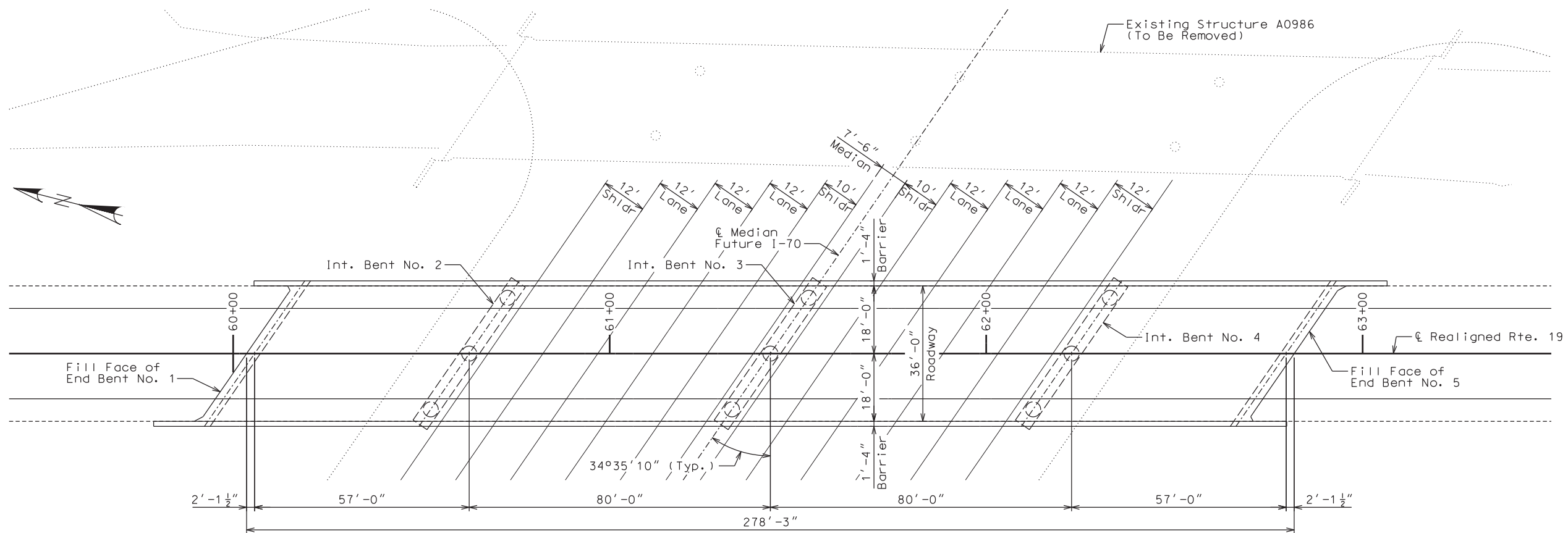
Note: This drawing is not to scale. Follow dimensions.

| | |
|---|-----------|
| FOR INFORMATION ONLY. NOT FOR CONSTRUCTION | |
| DATE PREPARED | \$DATE\$ |
| ROUTE | STATE |
| RTE 19 | MO |
| DISTRICT | SHEET NO. |
| BR | . |
| COUNTY | |
| MONTGOMERY | |
| JOB NO. | |
| J2P3090 | |
| CONTRACT ID. | |
| . | |
| PROJECT NO. | |
| . | |
| BRIDGE NO. | |
| . | |
| DESCRIPTION | DATE |
| . | . |
| . | . |
| . | . |
| . | . |
| MISSOURI HIGHWAYS AND TRANSPORTATION COMMISSION | |
|  | |
| 105 WEST CAPITOL JEFFERSON CITY, MO 65102 1-888-ASK-MODOT (1-888-275-6636) | |
|  | |
| JACOBS 501 NORTH BROADWAY ST. LOUIS, MISSOURI 63102-2121 CERTIFICATE OF AUTHORITY #00704 | |
| REV. | DATE |

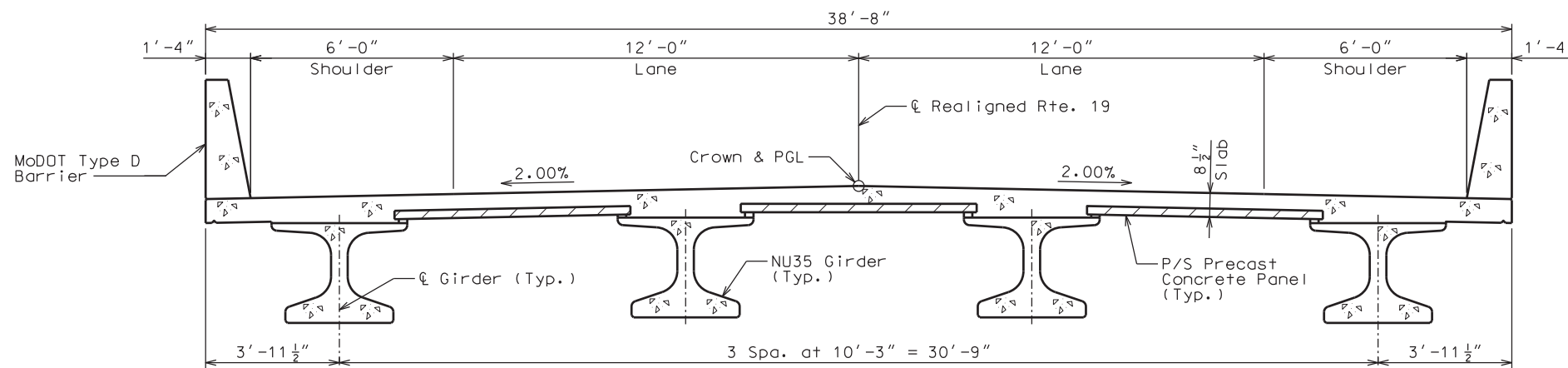
(57'-80'-80'-57') PRESTRESSED CONCRETE NU35 GIRDER SPANS



ELEVATION



PLAN



TYPICAL SECTION

BRIDGE: ROUTE 19 OVER I-70
 OPTION 1C

Detailed July 2019
 Checked July 2019

Note: This drawing is not to scale. Follow dimensions.

FOR INFORMATION ONLY. NOT FOR CONSTRUCTION

DATE PREPARED \$DATE\$

ROUTE RTE 19 STATE MO

DISTRICT BR SHEET NO.

COUNTY MONTGOMERY

JOB NO. J2P3090

CONTRACT ID.

PROJECT NO.

BRIDGE NO.

| DATE | DESCRIPTION |
|------|-------------|
| | |
| | |
| | |
| | |
| | |

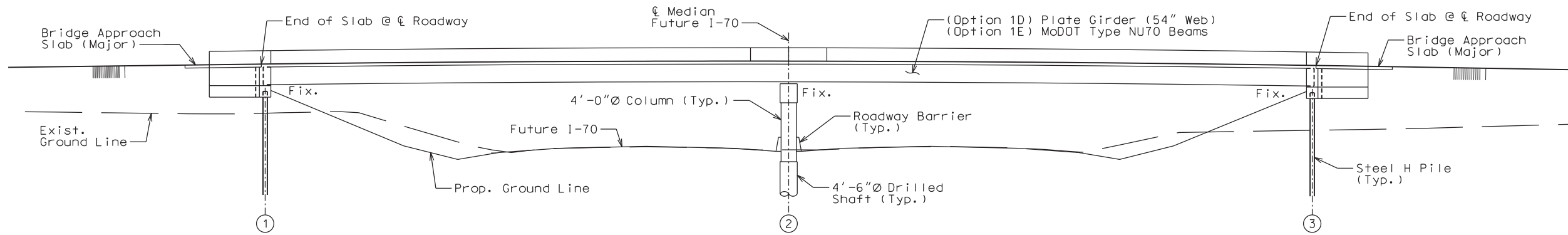
MISSOURI HIGHWAYS AND TRANSPORTATION COMMISSION

105 WEST CAPITAL
 JEFFERSON CITY, MO 65102
 1-888-ASK-MODOT (1-888-275-6636)

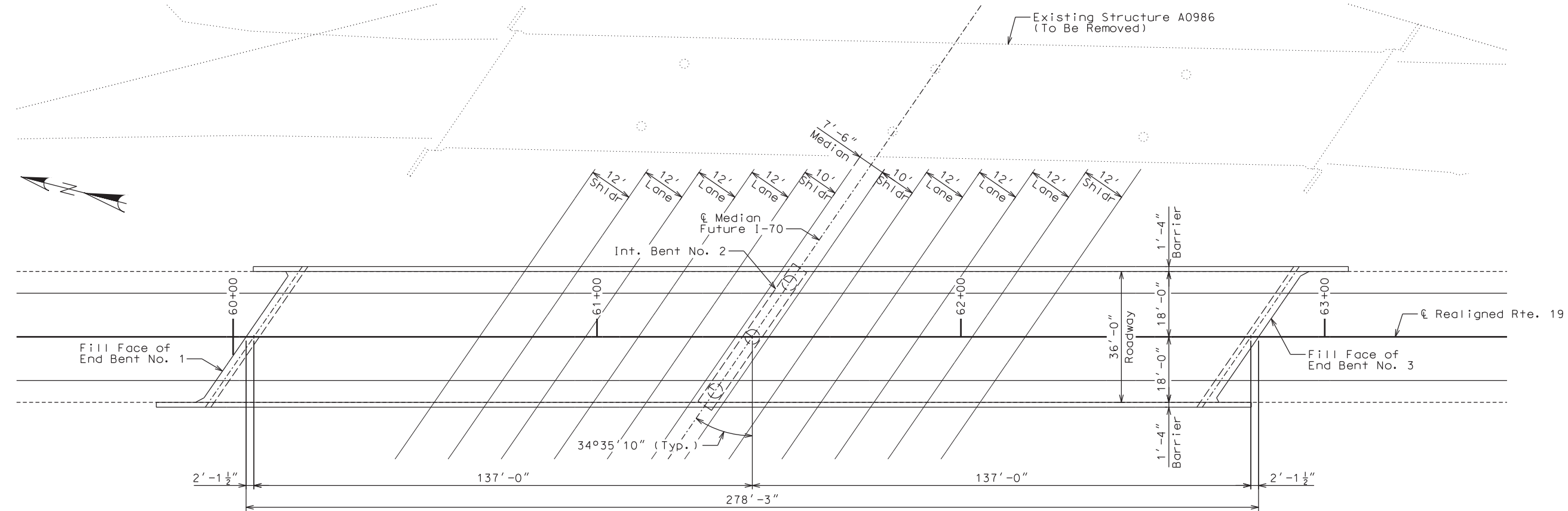
JACOBS

JACOBS ENGINEERING GROUP
 901 NORTH BROADWAY
 ST. LOUIS, MISSOURI 63102-2121
 CERTIFICATE OF AUTHORITY #00704

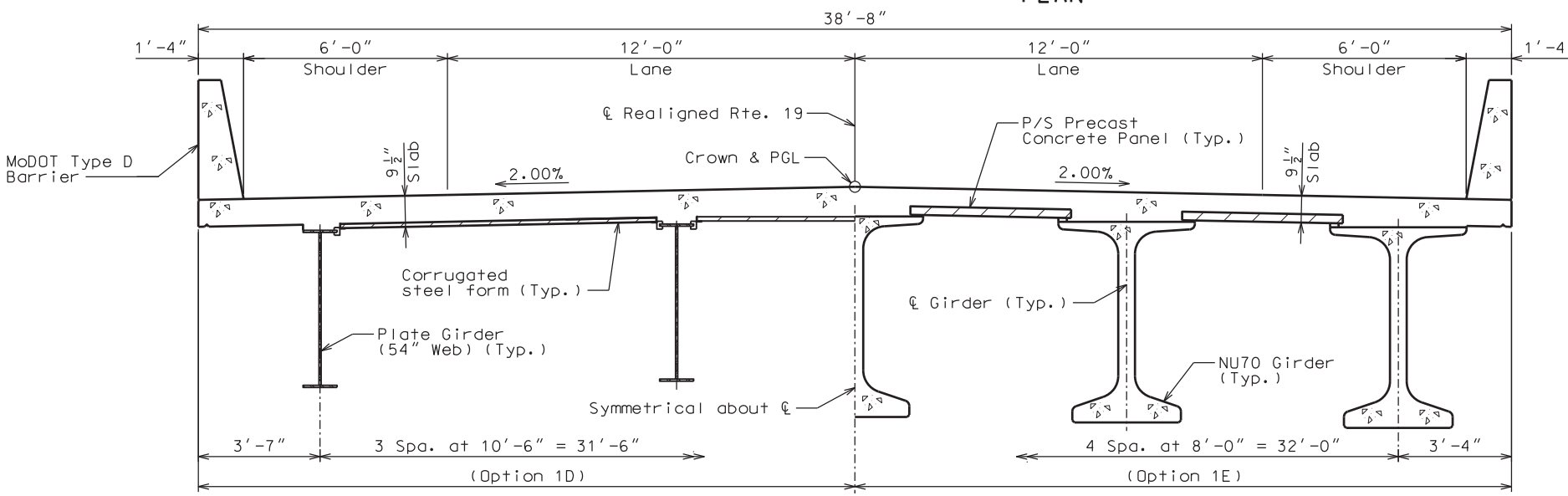
(OPTION 1D) (137'-137') COMPOSITE PLATE GIRDER SPANS
(OPTION 1E) (137'-137') PRESTRESSED CONCRETE NU70 GIRDER SPANS



ELEVATION



PLAN



TYPICAL SECTION

BRIDGE: ROUTE 19 OVER I-70
OPTION 1D & OPTION 1E

Detailed July 2019
Checked July 2019

Note: This drawing is not to scale. Follow dimensions.

| | |
|--|---|
| FOR INFORMATION ONLY. NOT FOR CONSTRUCTION | |
| DATE PREPARED \$DATE\$ | |
| ROUTE RTE 19 | STATE MO |
| DISTRICT BR | SHEET NO. . |
| COUNTY MONTGOMERY | |
| JOB NO. J2P3090 | |
| CONTRACT ID. . | |
| PROJECT NO. . | |
| BRIDGE NO. . | |
| DESCRIPTION | DATE |
| | |
| | |
| | |
| | |
| | |
| MISSOURI HIGHWAYS AND TRANSPORTATION COMMISSION | JACOBS |
| | |
| 105 WEST CAPITOL JEFFERSON CITY, MO 65102 1-888-ASK-MODOT (1-888-275-6636) | JACOBS CONSULTING GROUP 901 NORTH BROADWAY ST. LOUIS, MISSOURI 63102-2121 PROFESSIONAL ENGINEER CERTIFICATE OF AUTHORITY #00704 |

(83'-83') PRESTRESSED CONCRETE NU35 GIRDER SPANS

FOR INFORMATION ONLY. NOT FOR CONSTRUCTION

DATE PREPARED \$DATE\$

ROUTE RTE 19 STATE MO

DISTRICT BR SHEET NO.

COUNTY MONTGOMERY

JOB NO. J2P3090

CONTRACT ID.

PROJECT NO.

BRIDGE NO.

| DATE | DESCRIPTION |
|------|-------------|
| | |
| | |
| | |
| | |
| | |

MISSOURI HIGHWAYS AND TRANSPORTATION COMMISSION

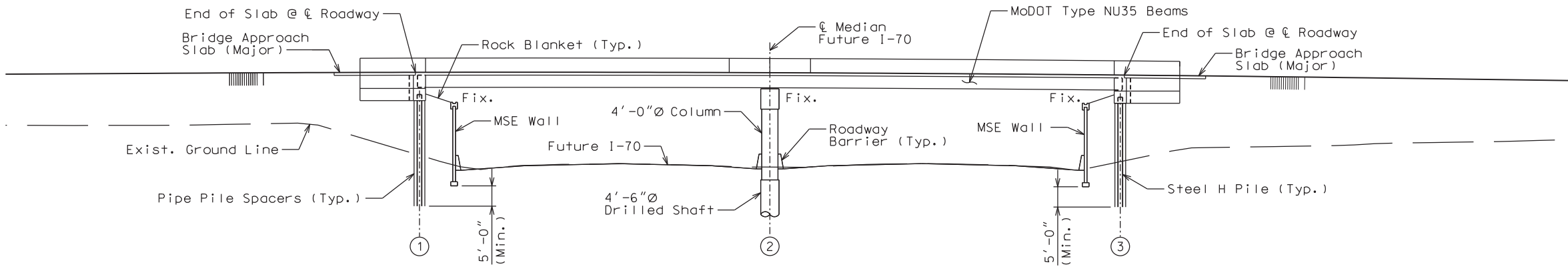
MoDOT

105 WEST CAPITOL
JEFFERSON CITY, MO 65102
1-888-ASK-MODOT (1-888-275-6636)

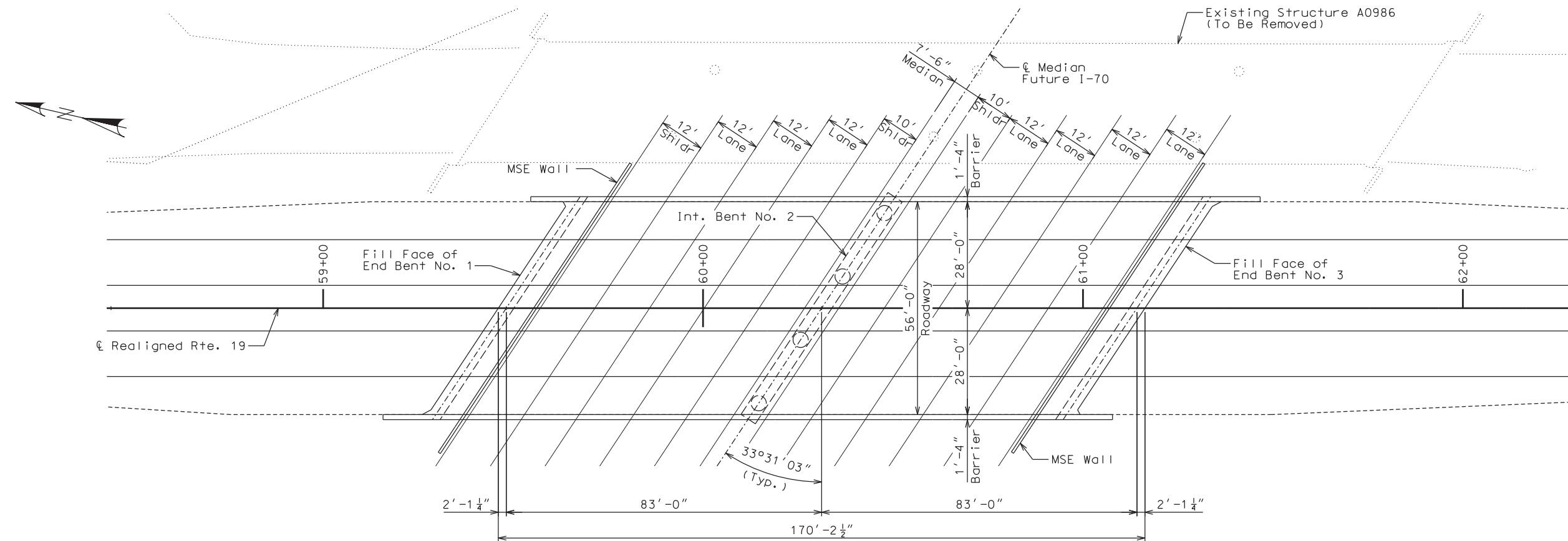
JACOBS

JACOBS ENGINEERING GROUP
901 NORTH BROADWAY
ST. LOUIS, MISSOURI 63102-2121
CERTIFICATE OF AUTHORITY #00704

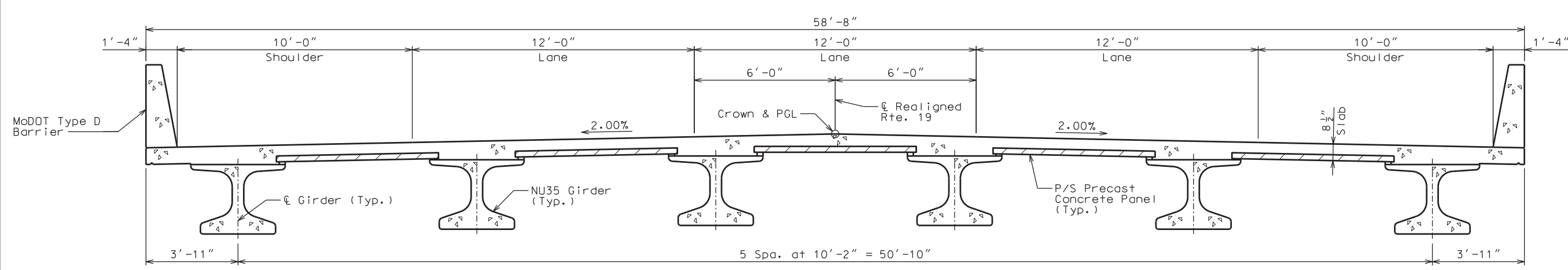
BRIDGE: ROUTE 19 OVER I-70
OPTION 2A



ELEVATION



PLAN



TYPICAL SECTION

Detailed July 2019
Checked July 2019

Note: This drawing is not to scale. Follow dimensions.

(103'-103') PRESTRESSED CONCRETE NU53 GIRDER SPANS

FOR INFORMATION ONLY. NOT FOR CONSTRUCTION

DATE PREPARED \$DATE\$

ROUTE RTE 19 STATE MO

DISTRICT BR SHEET NO.

COUNTY MONTGOMERY

JOB NO. J2P3090

CONTRACT ID.

PROJECT NO.

BRIDGE NO.

| DATE | DESCRIPTION |
|------|-------------|
| | |
| | |
| | |
| | |
| | |
| | |
| | |
| | |
| | |

MISSOURI HIGHWAYS AND TRANSPORTATION COMMISSION

MoDOT

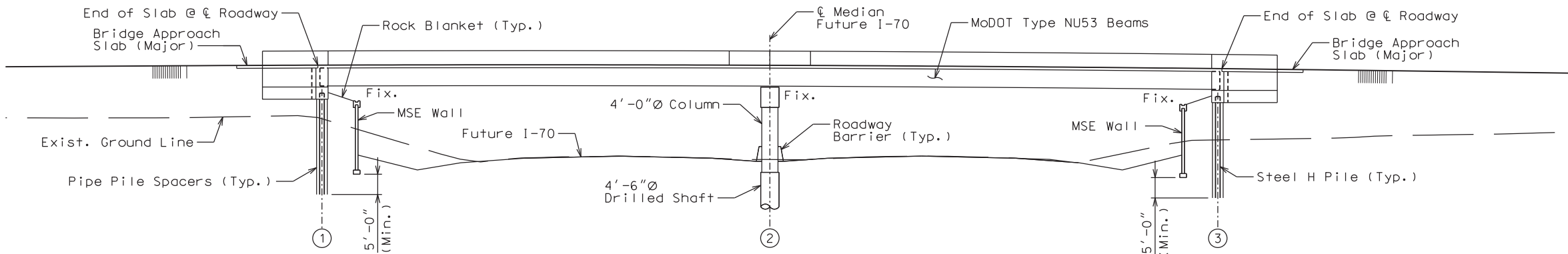
105 WEST CAPITAL
JEFFERSON CITY, MO 65102
1-888-ASK-MODOT (1-888-275-6636)

JACOBS

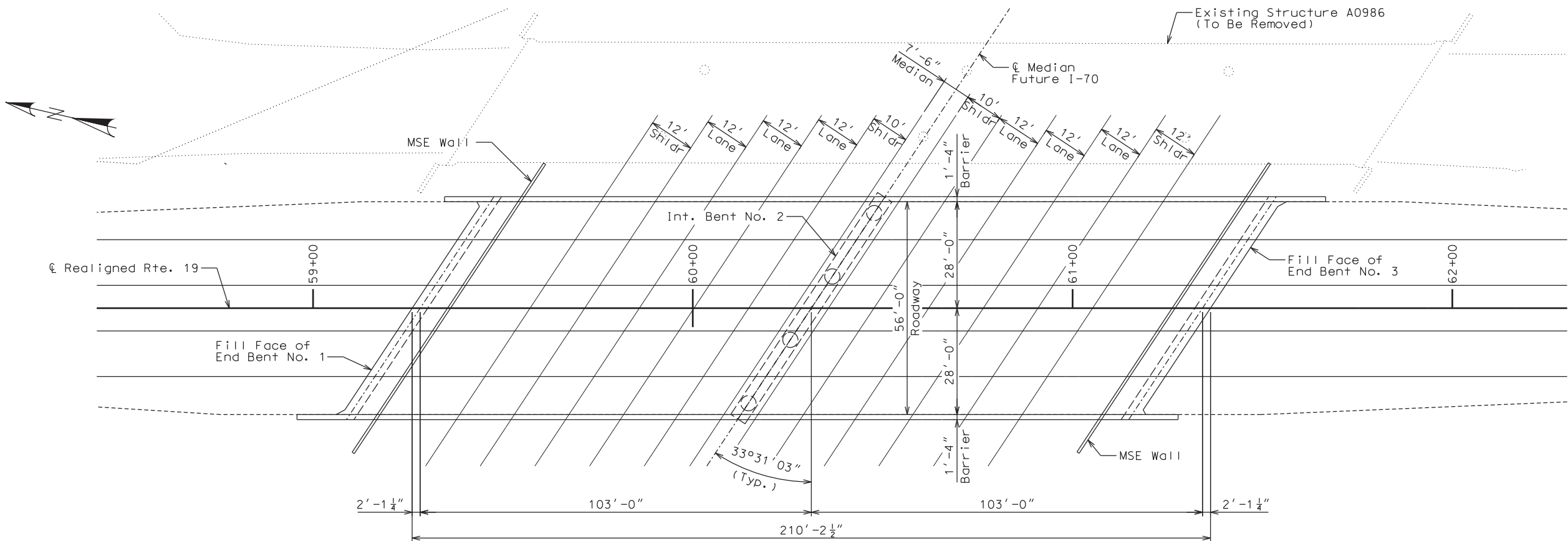
JACOBS ENGINEERING GROUP
901 NORTH BROADWAY
ST. LOUIS, MISSOURI 63102-2121
CERTIFICATE OF AUTHORITY #00704

BRIDGE: ROUTE 19 OVER I-70
OPTION 2B

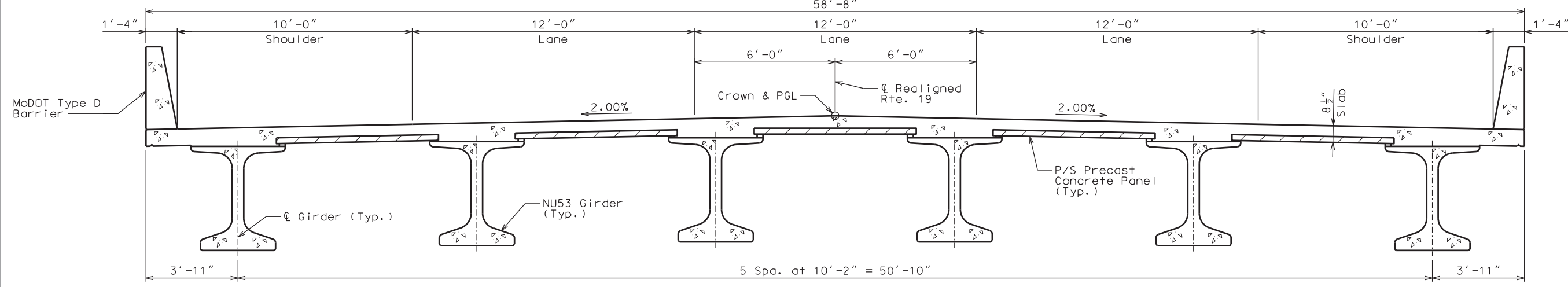
REV. IF A SEAL IS PRESENT ON THIS SHEET, IT HAS BEEN ELECTRONICALLY SEALED AND DATED.



ELEVATION



PLAN

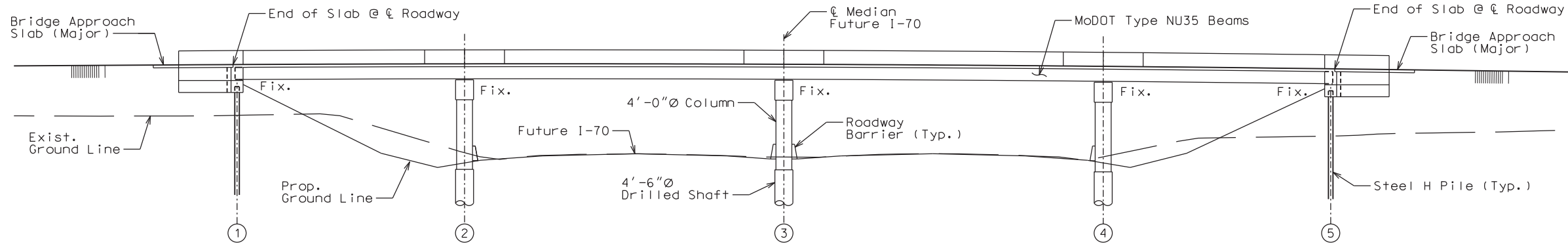


TYPICAL SECTION

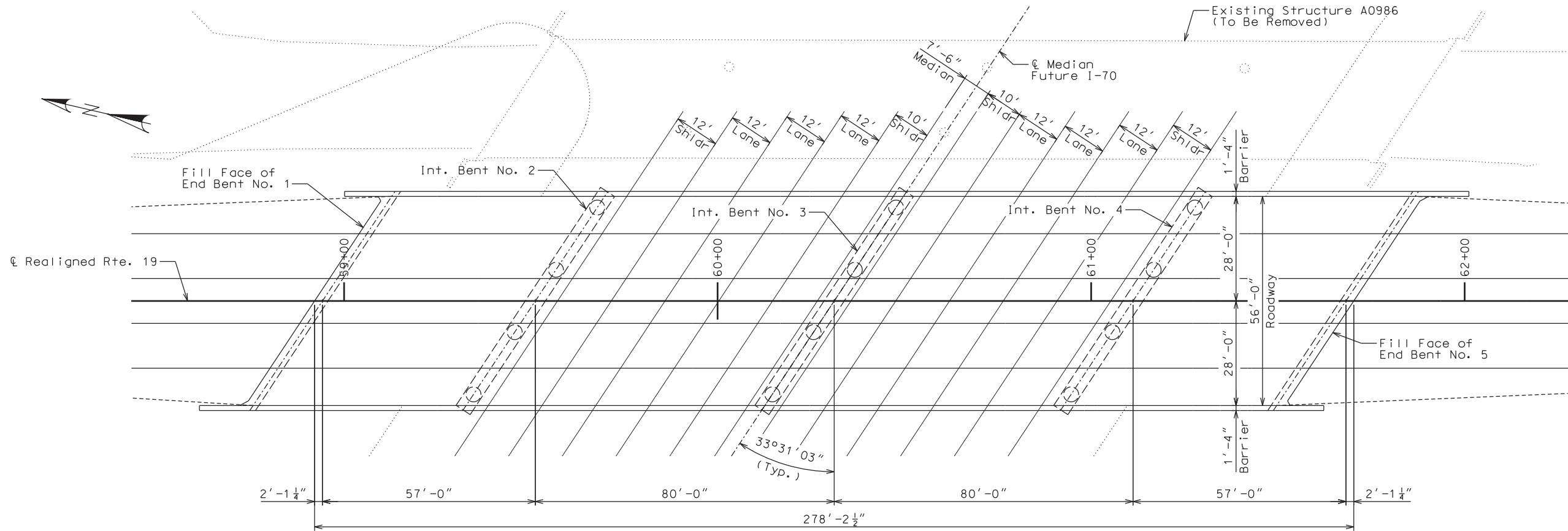
Detailed July 2019
Checked July 2019

Note: This drawing is not to scale. Follow dimensions.

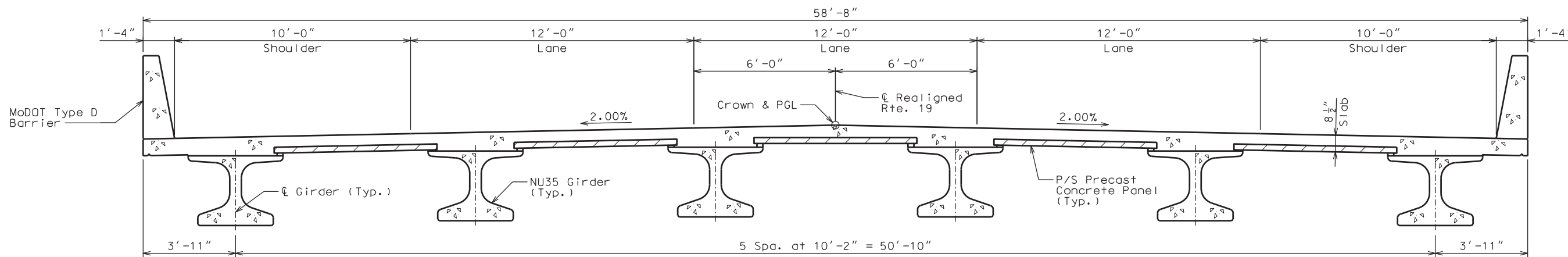
(57'-80'-80'-57') PRESTRESSED CONCRETE NU35 GIRDER SPANS



ELEVATION



PLAN



TYPICAL SECTION

BRIDGE: ROUTE 19 OVER I-70
OPTION 2C

Detailed July 2019
Checked July 2019

Note: This drawing is not to scale. Follow dimensions.

FOR INFORMATION ONLY.
NOT FOR CONSTRUCTION

DATE PREPARED
\$DATE\$

ROUTE STATE
RTE 19 MO

DISTRICT SHEET NO.
BR .

COUNTY
MONTGOMERY

JOB NO.
J2P3090

CONTRACT ID.

PROJECT NO.

BRIDGE NO.

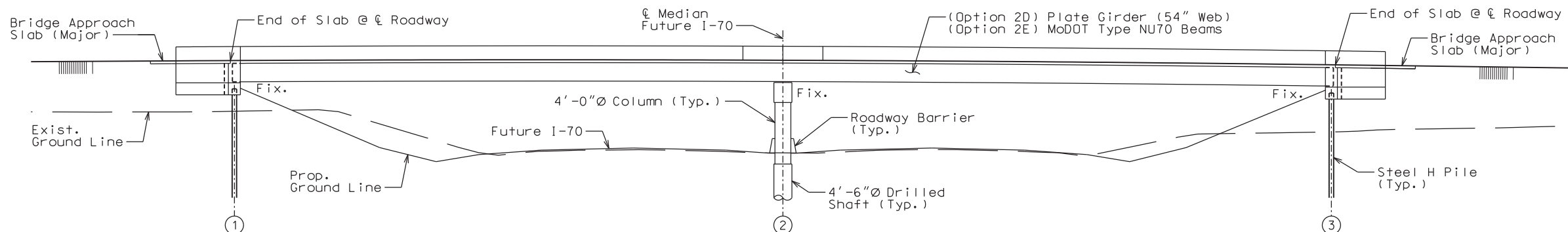
| DATE | DESCRIPTION |
|------|-------------|
| | |
| | |
| | |
| | |
| | |

MISSOURI HIGHWAYS AND TRANSPORTATION COMMISSION

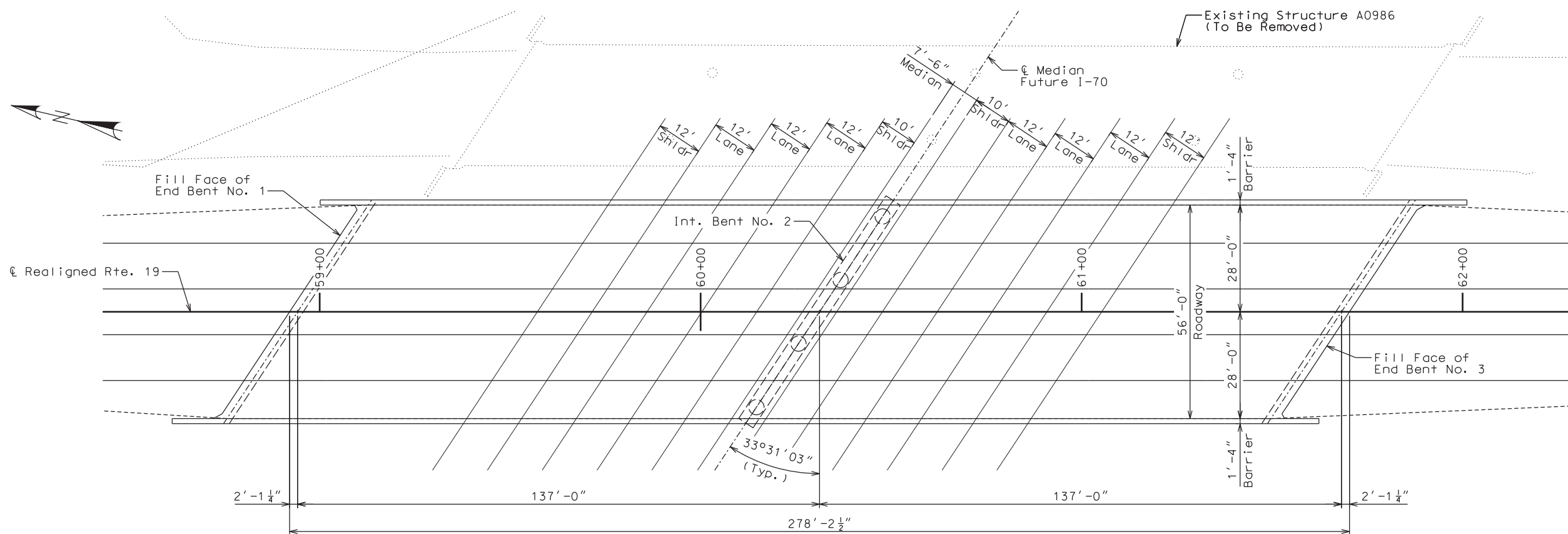
 105 WEST CAPITAL
 JEFFERSON CITY, MO 65102
 1-888-ASK-MODOT (1-888-275-6636)

JACOBS
 JACOBS ENGINEERING GROUP
 901 NORTH BROADWAY
 ST. LOUIS, MISSOURI 63102-2121
 CERTIFICATE OF AUTHORITY
 #00704

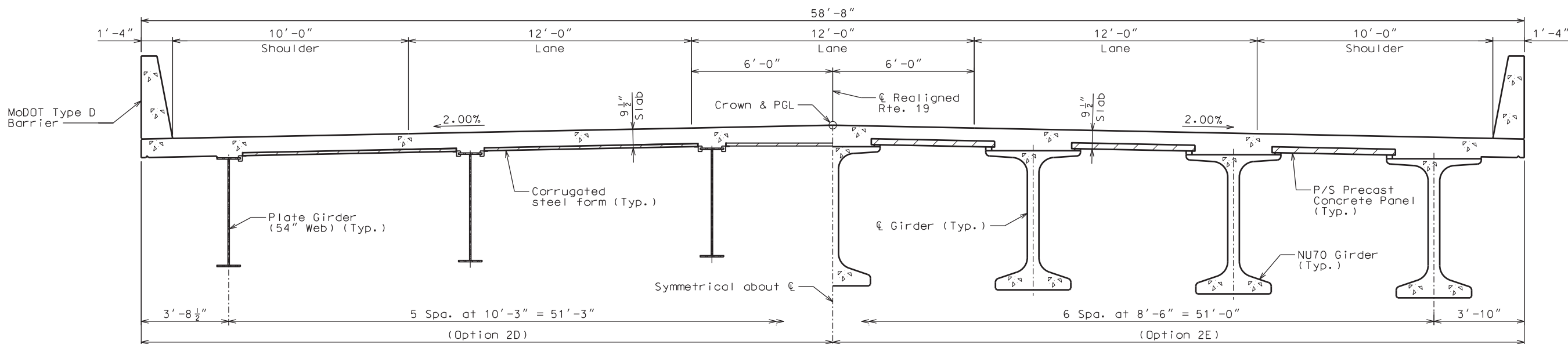
(OPTION 2D) (137'-137') COMPOSITE PLATE GIRDER SPANS
(OPTION 2E) (137'-137') PRESTRESSED CONCRETE NU70 GIRDER SPANS



ELEVATION



PLAN



TYPICAL SECTION

BRIDGE: ROUTE 19 OVER I-70
OPTION 2D & OPTION 2E

Detailed July 2019
Checked July 2019

Note: This drawing is not to scale. Follow dimensions.

FOR INFORMATION ONLY.
NOT FOR CONSTRUCTION

DATE PREPARED
\$DATE\$

ROUTE STATE
RTE 19 MO
DISTRICT SHEET NO.
BR .

COUNTY
MONTGOMERY

JOB NO.
J2P3090

CONTRACT ID.

PROJECT NO.

BRIDGE NO.

| DATE | DESCRIPTION |
|------|-------------|
| | |
| | |
| | |
| | |
| | |
| | |
| | |
| | |
| | |

MISSOURI HIGHWAYS AND TRANSPORTATION COMMISSION

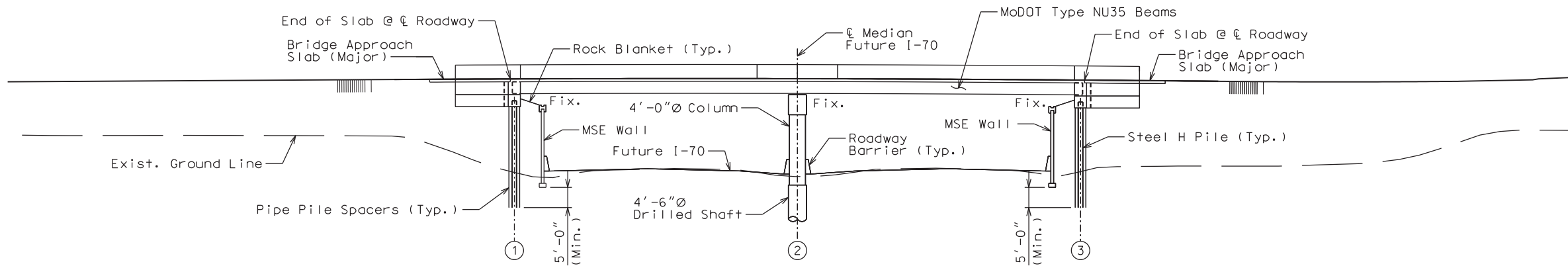


JACOBS
JACOBS ENGINEERING GROUP
901 NORTH BROADWAY
ST. LOUIS, MISSOURI 63102-2121
CERTIFICATE OF AUTHORITY #00704

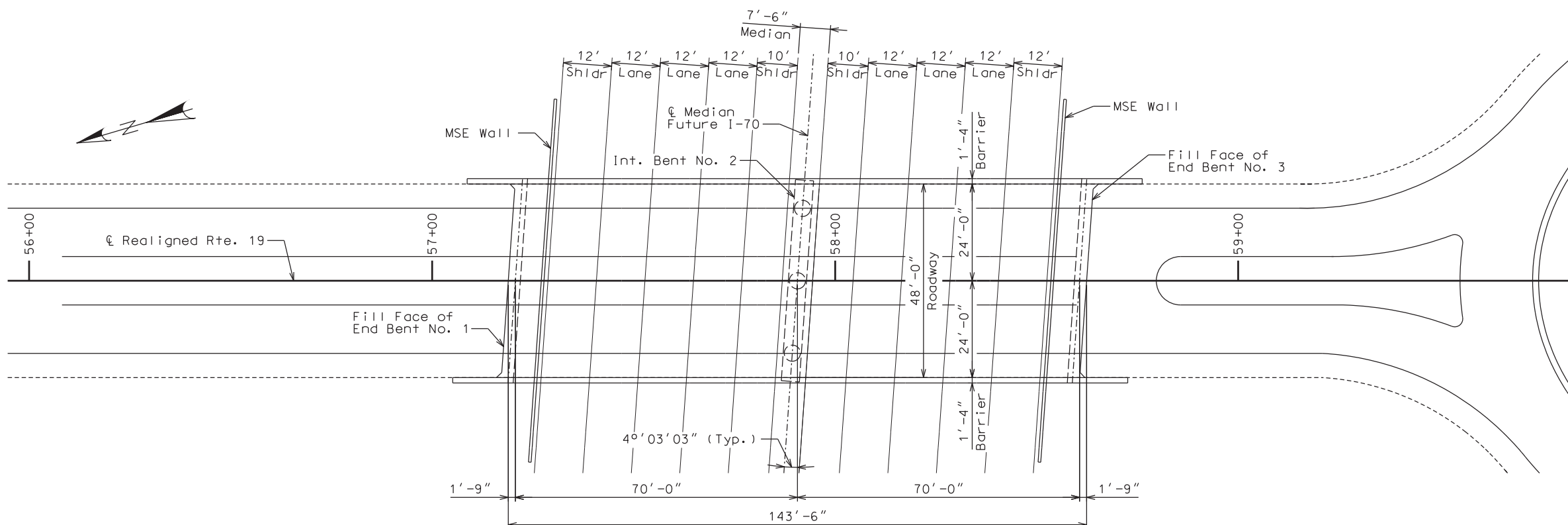
105 WEST CAPITAL
JEFFERSON CITY, MO 65102
1-888-ASK-MODOT (1-888-275-6636)

REV. IF A SEAL IS PRESENT ON THIS SHEET, IT HAS BEEN ELECTRONICALLY SEALED AND DATED.

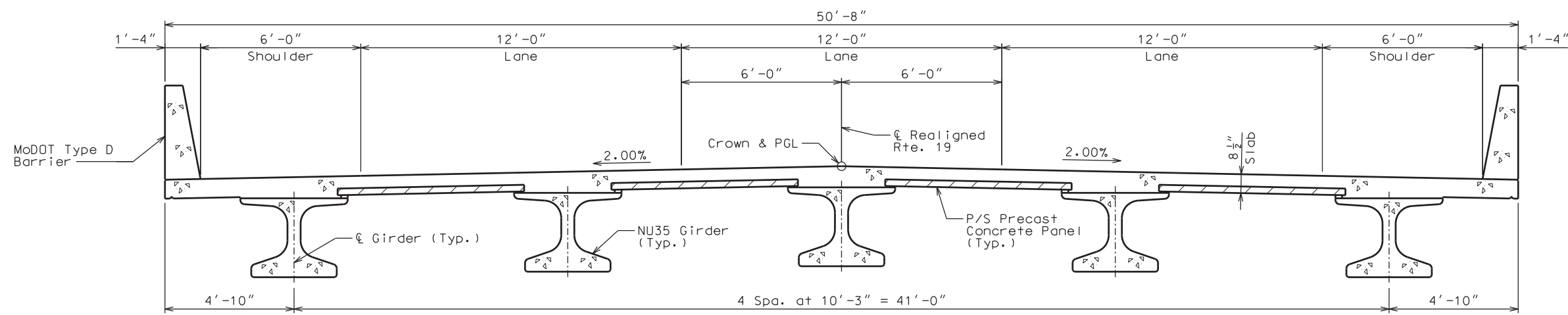
(70'-70') PRESTRESSED CONCRETE NU35 GIRDER SPANS



ELEVATION



PLAN



TYPICAL SECTION

BRIDGE: ROUTE 19 OVER I-70
 OPTION 5A

Detailed July 2019
 Checked July 2019

Note: This drawing is not to scale. Follow dimensions.

FOR INFORMATION ONLY. NOT FOR CONSTRUCTION

DATE PREPARED: \$DATE\$

ROUTE: RTE 19 STATE: MO

DISTRICT: BR SHEET NO.:

COUNTY: MONTGOMERY

JOB NO.: J2P3090

CONTRACT ID.:

PROJECT NO.:

BRIDGE NO.:

| DESCRIPTION | DATE |
|-------------|------|
| | |
| | |
| | |
| | |
| | |

MISSOURI HIGHWAYS AND TRANSPORTATION COMMISSION

MoDOT

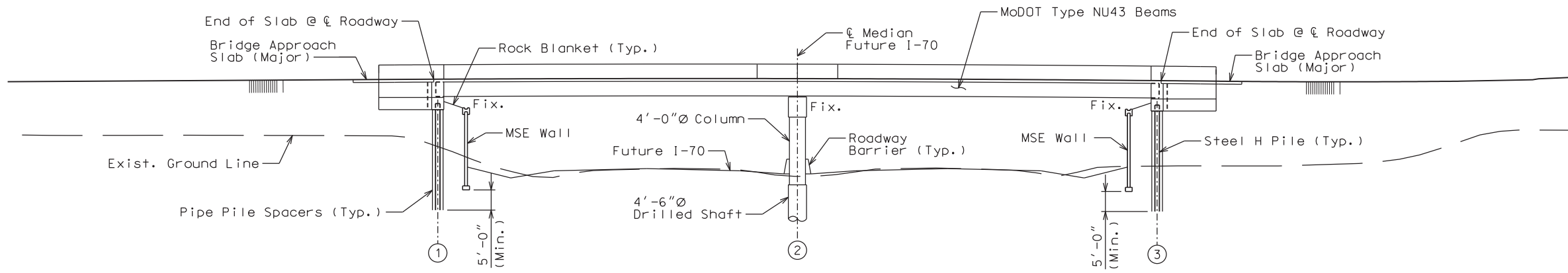
105 WEST CAPITOL
 JEFFERSON CITY, MO 65102
 1-888-ASK-MODOT (1-888-275-6636)

JACOBS

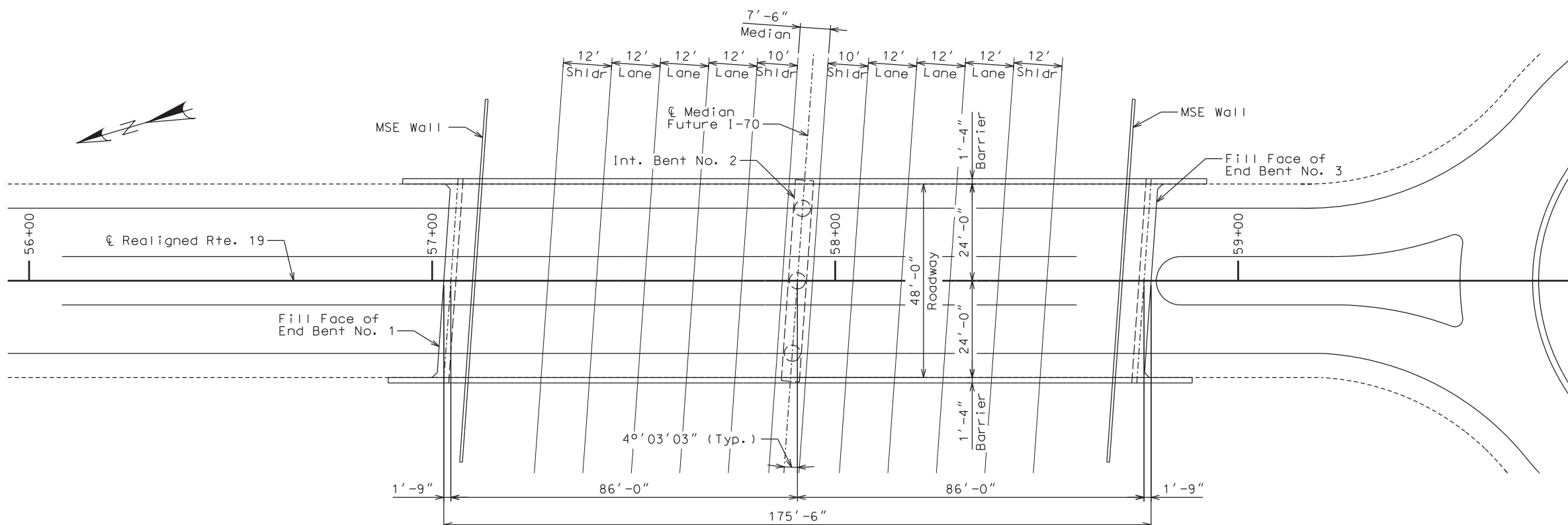
JACOBS ENGINEERING GROUP
 501 NORTH BROADWAY
 ST. LOUIS, MISSOURI 63102-2121
 CERTIFICATE OF AUTHORITY #00704

REV. DATE

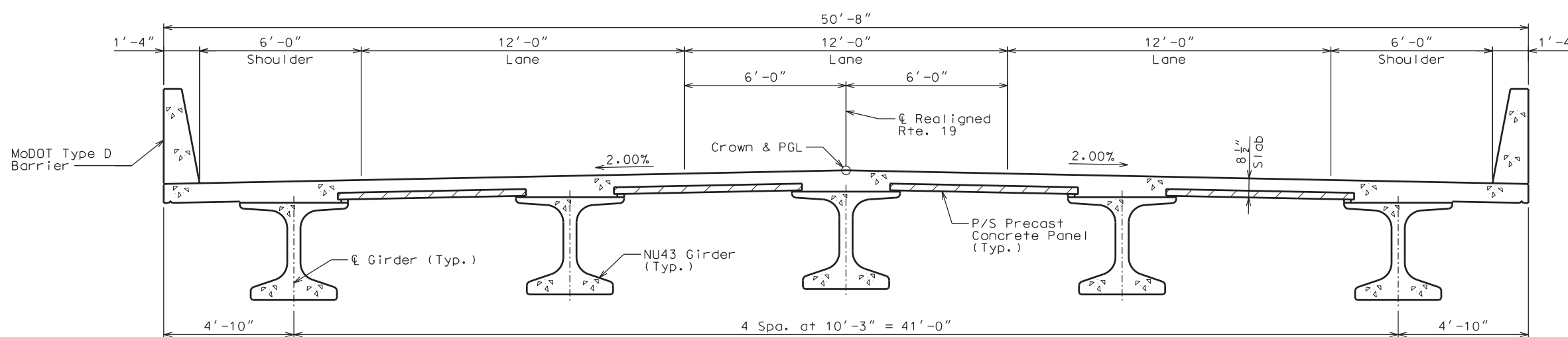
(86'-86') PRESTRESSED CONCRETE NU43 GIRDER SPANS



ELEVATION



PLAN



TYPICAL SECTION

Note: This drawing is not to scale. Follow dimensions.

BRIDGE: ROUTE 19 OVER I-70
OPTION 5B

FOR INFORMATION ONLY.
NOT FOR CONSTRUCTION

| | | | |
|---------------|-----------|----------|--|
| DATE PREPARED | | \$DATE\$ | |
| ROUTE | STATE | | |
| RTE 19 | MO | | |
| DISTRICT | SHEET NO. | | |
| BR | | | |
| COUNTY | | | |
| MONTGOMERY | | | |
| JOB NO. | | | |
| J2P3090 | | | |
| CONTRACT ID. | | | |
| | | | |
| PROJECT NO. | | | |
| | | | |
| BRIDGE NO. | | | |
| | | | |

| DATE | DESCRIPTION |
|------|-------------|
| | |
| | |
| | |
| | |
| | |

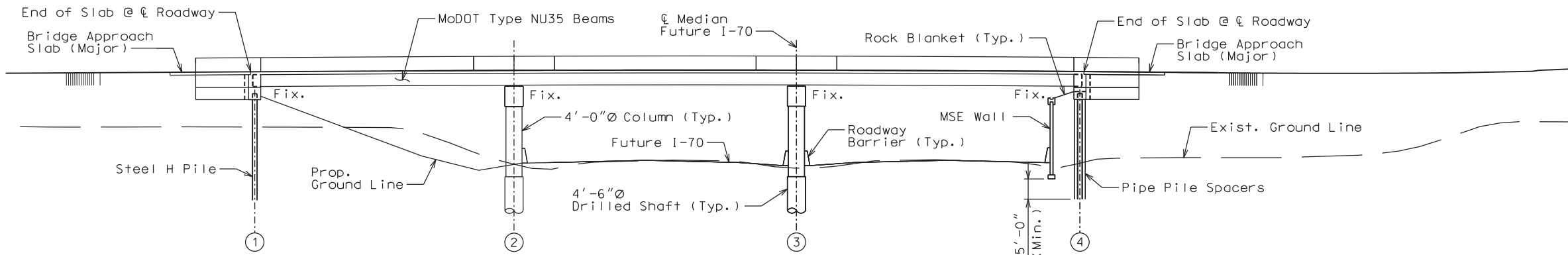
MISSOURI HIGHWAYS AND TRANSPORTATION COMMISSION

105 WEST CAPITOL
JEFFERSON CITY, MO 65102
1-888-ASK-MODOT (1-888-275-6636)

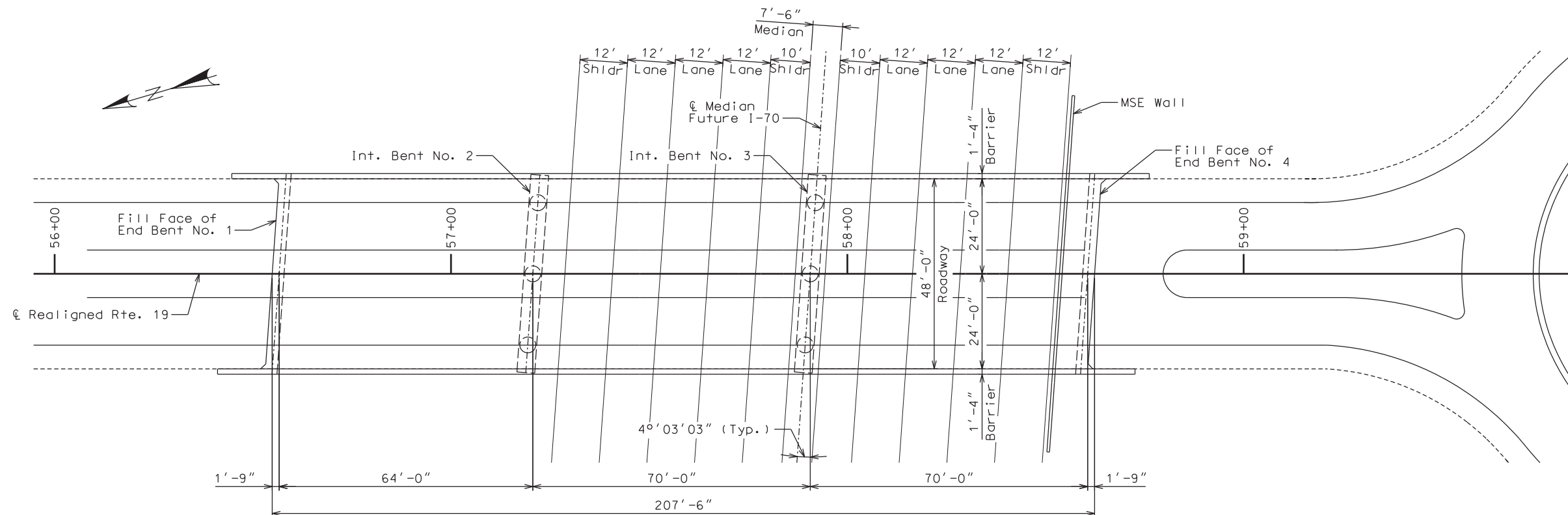
JACOBS

JACOBS ENGINEERING GROUP
901 NORTH BROADWAY
ST. LOUIS, MISSOURI 63102-2121
CERTIFICATE OF AUTHORITY
#00704

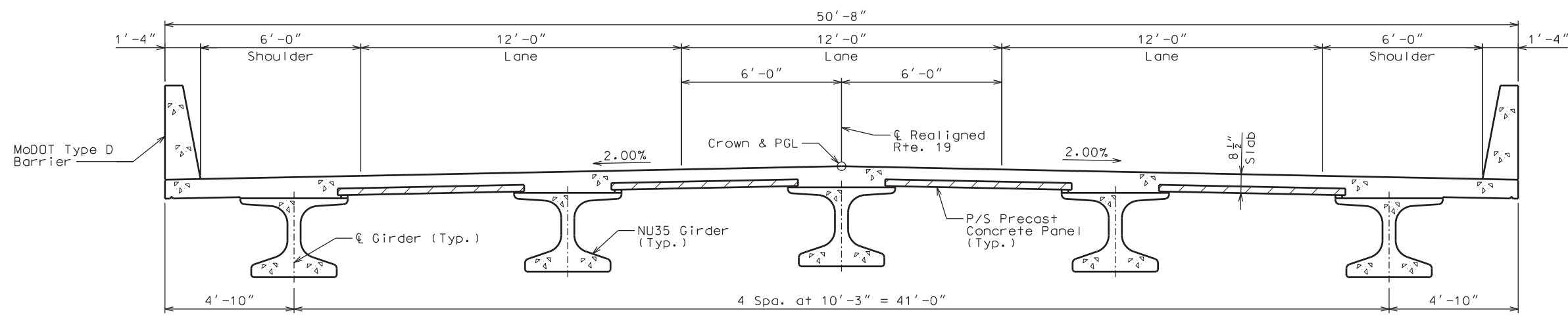
(64'-70'-70') PRESTRESSED CONCRETE NU35 GIRDER SPANS



ELEVATION



PLAN



TYPICAL SECTION

BRIDGE: ROUTE 19 OVER I-70
 OPTION 5C

Detailed July 2019
 Checked July 2019

Note: This drawing is not to scale. Follow dimensions.

FOR INFORMATION ONLY. NOT FOR CONSTRUCTION

DATE PREPARED \$DATE\$

ROUTE RTE 19 STATE MO

DISTRICT BR SHEET NO. .

COUNTY MONTGOMERY

JOB NO. J2P3090

CONTRACT ID. .

PROJECT NO. .

BRIDGE NO. .

| DATE | DESCRIPTION |
|------|-------------|
| | |
| | |
| | |
| | |

MISSOURI HIGHWAYS AND TRANSPORTATION COMMISSION

MoDOT

105 WEST CAPITOL
 JEFFERSON CITY, MO 65102
 1-888-ASK-MODOT (1-888-275-6636)

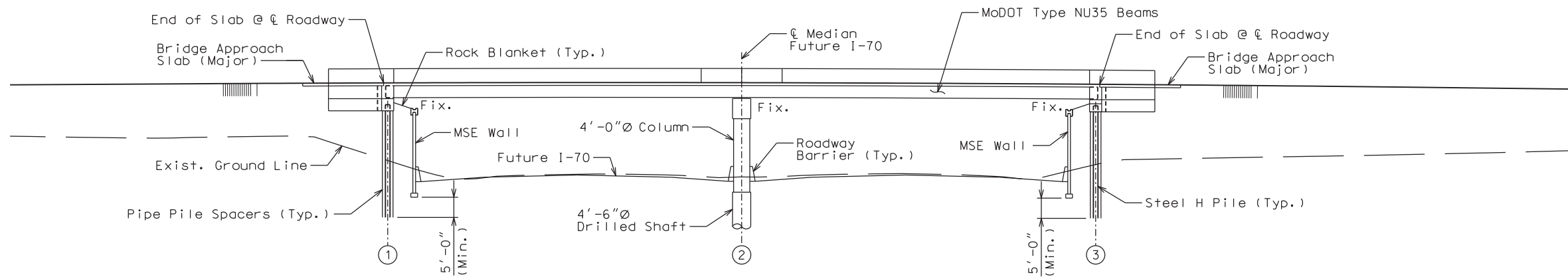
JACOBS

JACOBS ENGINEERING GROUP
 501 NORTH BROADWAY
 ST. LOUIS, MISSOURI 63102-2121
 CERTIFICATE OF AUTHORITY #00704

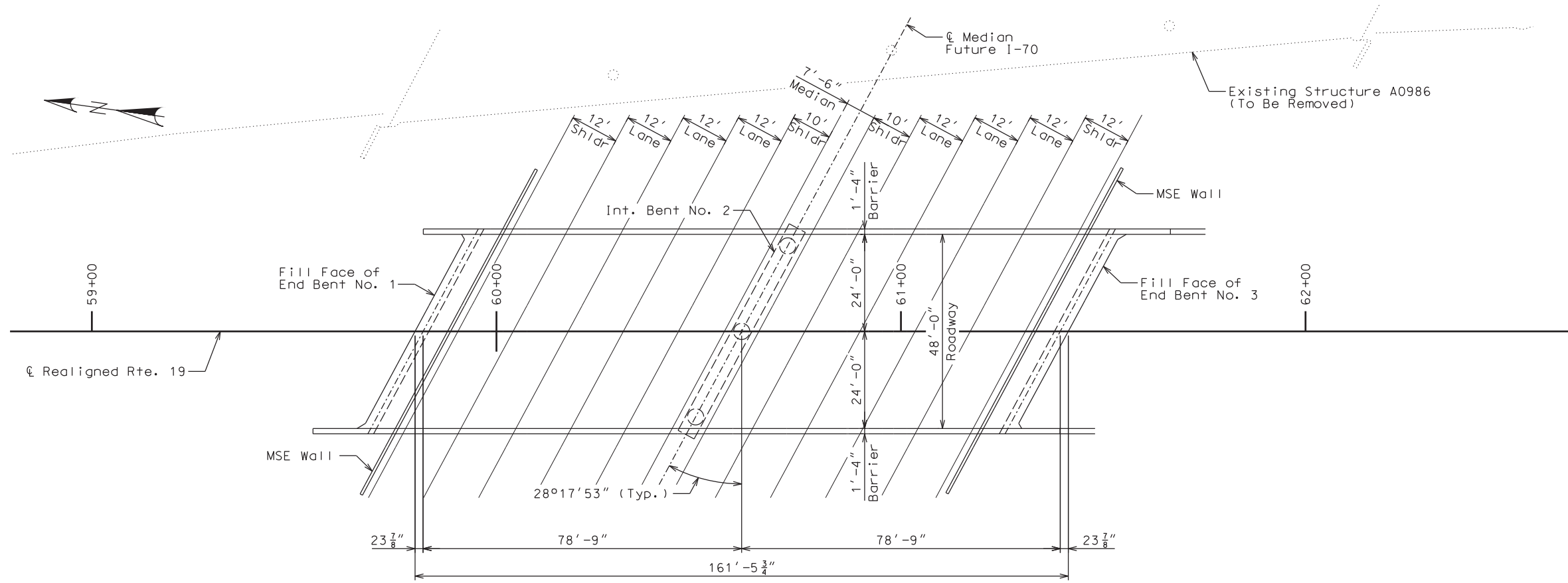
REV. IF A SEAL IS PRESENT ON THIS SHEET, IT HAS BEEN ELECTRONICALLY SEALED AND DATED.

FILES \$TIMES \$DATE\$

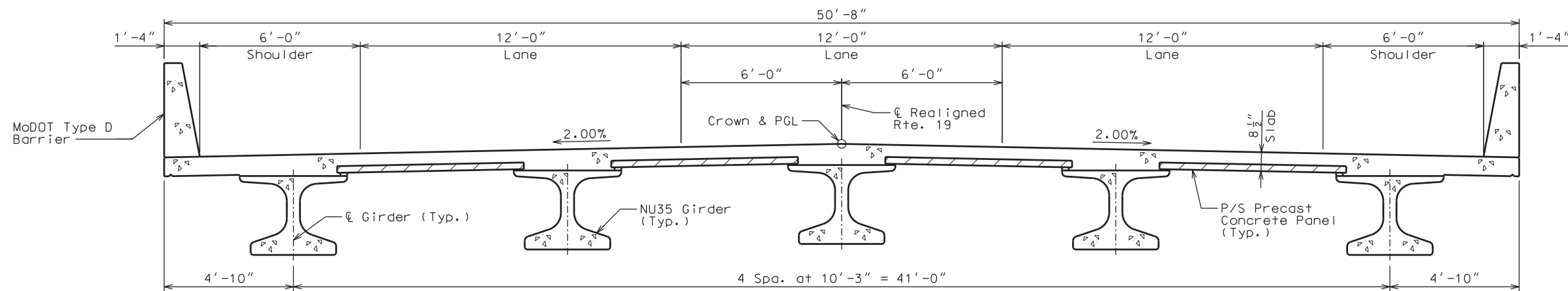
(78.75' - 78.75') PRESTRESSED CONCRETE NU35 GIRDER SPANS



ELEVATION



PLAN



TYPICAL SECTION

BRIDGE: ROUTE 19 OVER I-70
OPTION 7A

Detailed July 2019
Checked July 2019

Note: This drawing is not to scale. Follow dimensions.

FOR INFORMATION ONLY. NOT FOR CONSTRUCTION

DATE PREPARED \$DATE\$

ROUTE RTE 19 STATE MO

DISTRICT BR SHEET NO.

COUNTY MONTGOMERY

JOB NO. J2P3090

CONTRACT ID.

PROJECT NO.

BRIDGE NO.

| DATE | DESCRIPTION |
|------|-------------|
| | |
| | |
| | |
| | |
| | |

MISSOURI HIGHWAYS AND TRANSPORTATION COMMISSION

MoDOT

105 WEST CAPITOL
JEFFERSON CITY, MO 65102
1-888-ASK-MODOT (1-888-275-6636)

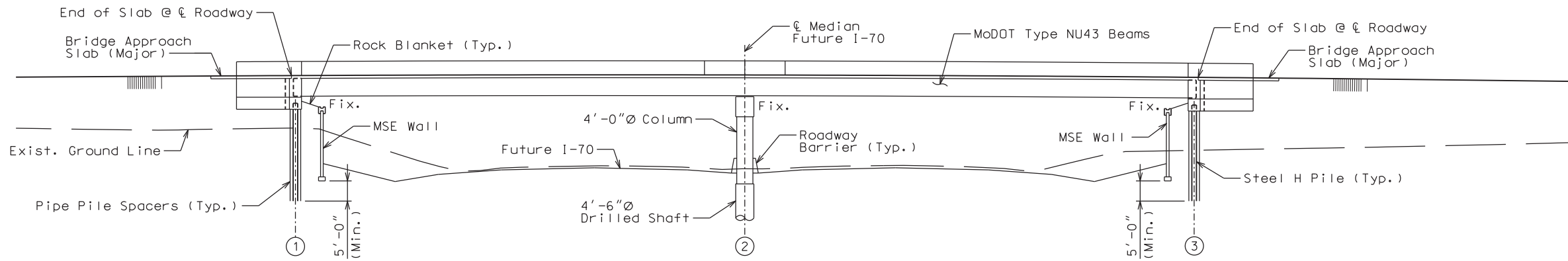
JACOBS

JACOBS ENGINEERING GROUP
901 NORTH BROADWAY
ST. LOUIS, MISSOURI 63102-2121
CERTIFICATE OF AUTHORITY #00704

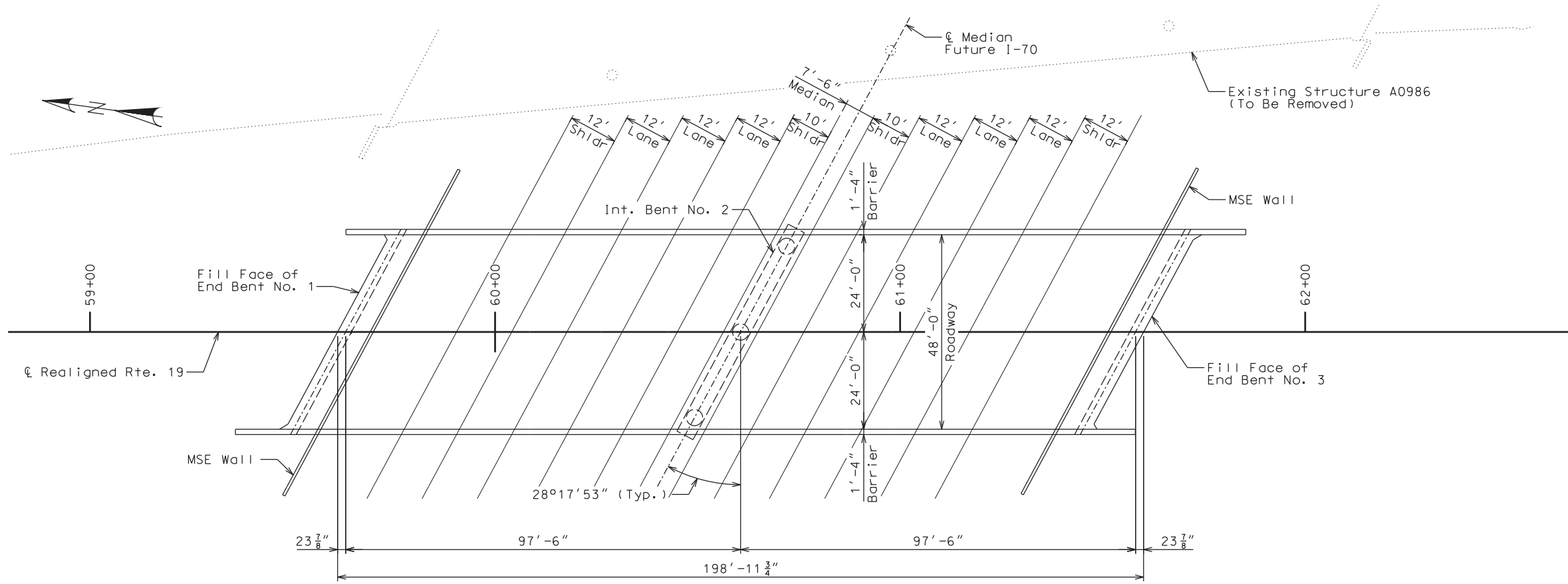
REV. DATE

FILES \$TIMES\$ \$DATE\$

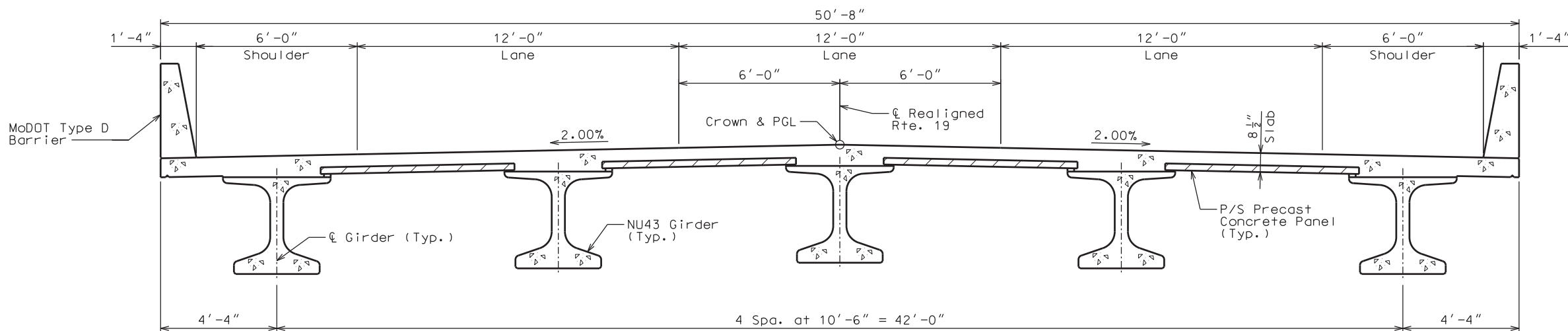
(97.5' - 97.5') PRESTRESSED CONCRETE NU43 GIRDER SPANS



ELEVATION



PLAN



TYPICAL SECTION

Note: This drawing is not to scale. Follow dimensions.

BRIDGE: ROUTE 19 OVER I-70
OPTION 7B

Detailed July 2019
Checked July 2019

FOR INFORMATION ONLY.
NOT FOR CONSTRUCTION

| | |
|---------------|------------|
| DATE PREPARED | \$DATE\$ |
| ROUTE | STATE |
| RTE 19 | MO |
| DISTRICT | SHEET NO. |
| BR | . |
| COUNTY | MONTGOMERY |
| JOB NO. | J2P3090 |
| CONTRACT ID. | . |
| PROJECT NO. | . |
| BRIDGE NO. | . |

| DATE | DESCRIPTION |
|------|-------------|
| | |
| | |
| | |
| | |

MISSOURI HIGHWAYS AND TRANSPORTATION COMMISSION

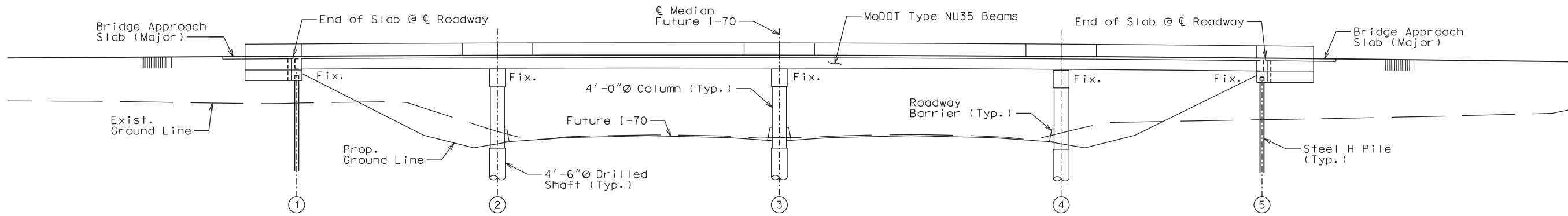
105 WEST CAPITOL
JEFFERSON CITY, MO 65102
1-888-ASK-MODOT (1-888-275-6636)

JACOBS

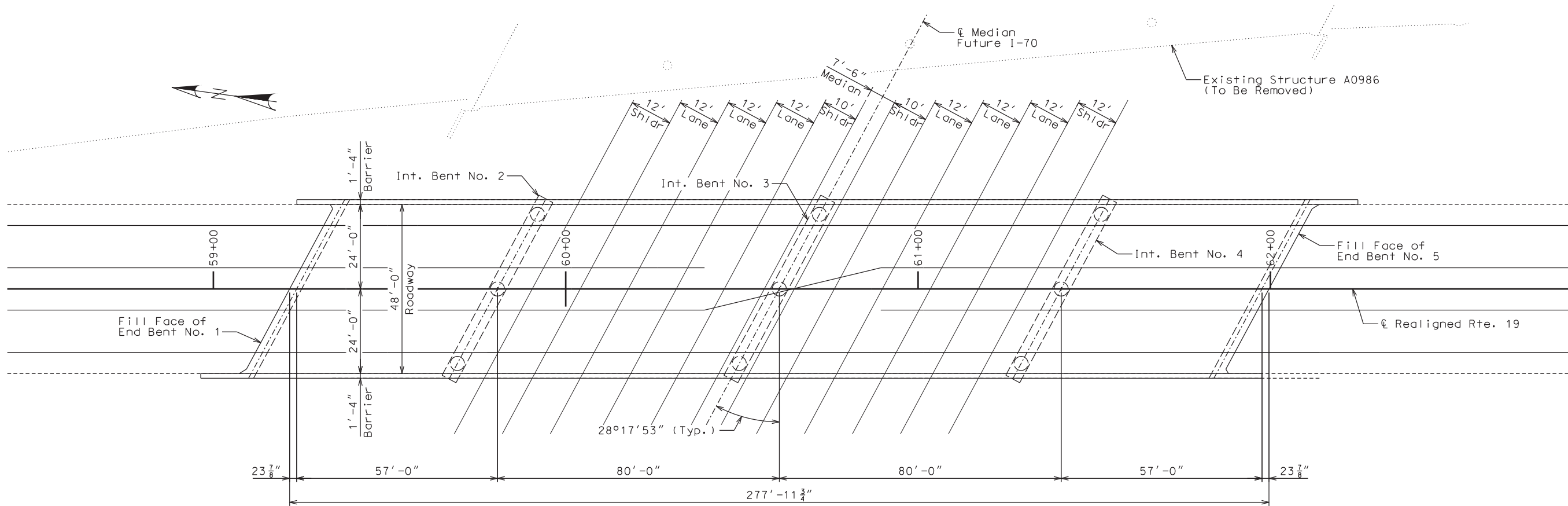
JACOBS ENGINEERING GROUP
501 NORTH BROADWAY
ST. LOUIS, MISSOURI 63102-2121
CERTIFICATE OF AUTHORITY #00704

REV. DATE DESCRIPTION

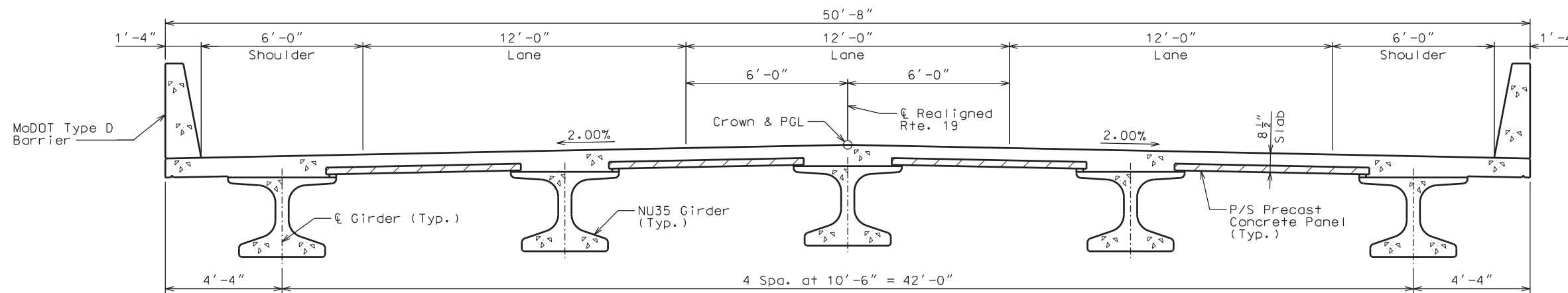
(57'-80'-80'-57') PRESTRESSED CONCRETE NU35 GIRDER SPANS



ELEVATION



PLAN



TYPICAL SECTION

Note: This drawing is not to scale. Follow dimensions.

BRIDGE: ROUTE 19 OVER I-70
OPTION 7C

Detailed July 2019
Checked July 2019

FOR INFORMATION ONLY.
NOT FOR CONSTRUCTION

DATE PREPARED
\$DATE\$

ROUTE
RTE 19

STATE
MO

DISTRICT
BR

SHEET NO.
.

COUNTY
MONTGOMERY

JOB NO.
J2P3090

CONTRACT ID.
.

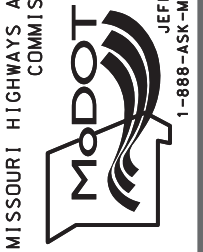
PROJECT NO.
.

BRIDGE NO.
.

| DATE | DESCRIPTION |
|------|-------------|
| | |
| | |
| | |
| | |
| | |

MISSOURI HIGHWAYS AND TRANSPORTATION
COMMISSION

105 WEST CAPITAL
JEFFERSON CITY, MO 65102
1-888-ASK-MODOT (1-888-275-6636)

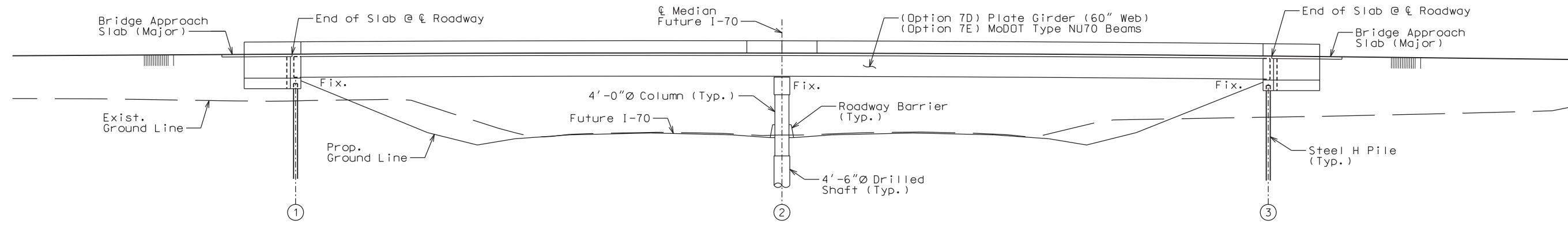


JACOBS
JACOBS ENGINEERING GROUP
901 NORTH BROADWAY
ST. LOUIS, MISSOURI 63102-2121
CERTIFICATE OF AUTHORITY
#00704

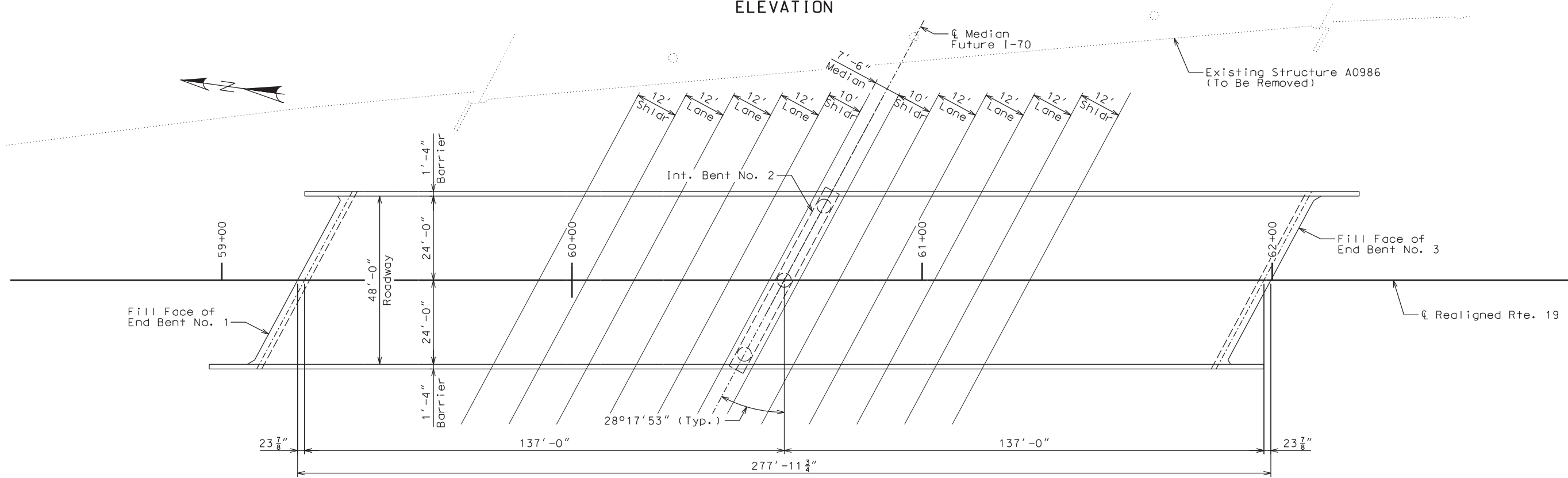
IF A SEAL IS PRESENT ON THIS SHEET, IT HAS BEEN ELECTRONICALLY SEALED AND DATED.

FILES \$TIMES \$DATES

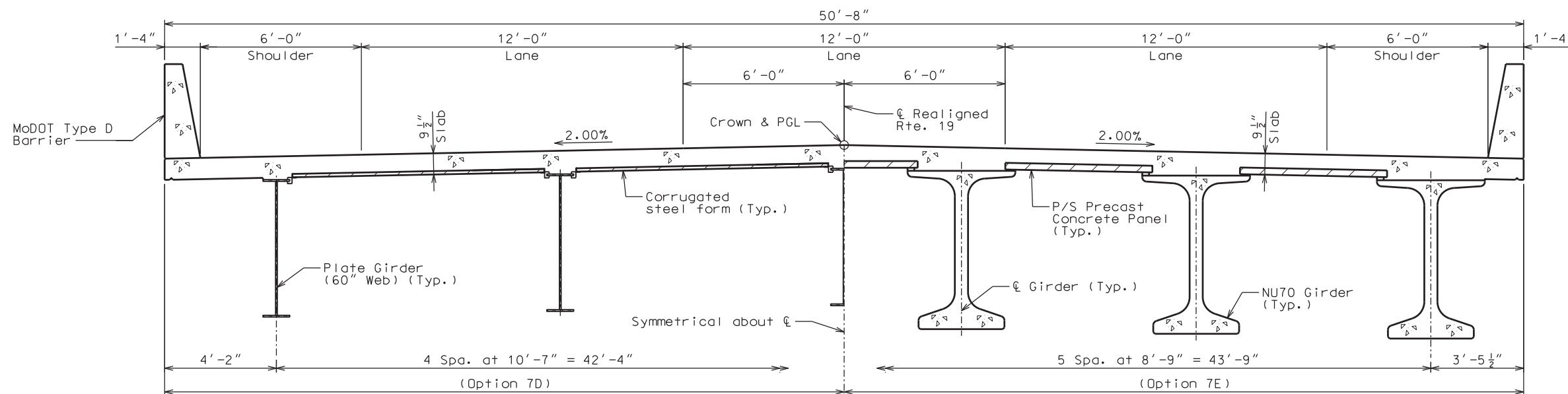
(OPTION 7D) (137'-137') COMPOSITE PLATE GIRDER SPANS
(OPTION 7E) (137'-137') PRESTRESSED CONCRETE NU70 GIRDER SPANS



ELEVATION



PLAN



TYPICAL SECTION

Note: This drawing is not to scale. Follow dimensions.

BRIDGE: ROUTE 19 OVER I-70
OPTION 7D & OPTION 7E

Detailed July 2019
Checked July 2019

FOR INFORMATION ONLY.
NOT FOR CONSTRUCTION

DATE PREPARED
\$DATE\$

ROUTE
RTE 19

STATE
MO

DISTRICT
BR

COUNTY
MONTGOMERY

JOB NO.
J2P3090

CONTRACT ID.

PROJECT NO.

BRIDGE NO.

DESCRIPTION

DATE

MISSOURI HIGHWAYS AND TRANSPORTATION COMMISSION

MoDOT

105 WEST CAPITOL
JEFFERSON CITY, MO 65102
1-888-ASK-MODOT (1-888-275-6636)

JACOBS

JACOBS ENGINEERING GROUP
901 NORTH BROADWAY
ST. LOUIS, MISSOURI 63102-2121
CERTIFICATE OF AUTHORITY
#00704

ST. LOUIS, MISSOURI 63102-2121

ST. LOUIS, MISSOURI 63102-2121

ST. LOUIS, MISSOURI 63102-2121

ST. LOUIS, MISSOURI 63102-2121

ST. LOUIS, MISSOURI 63102-2121

ST. LOUIS, MISSOURI 63102-2121

ST. LOUIS, MISSOURI 63102-2121

ST. LOUIS, MISSOURI 63102-2121

ST. LOUIS, MISSOURI 63102-2121

ST. LOUIS, MISSOURI 63102-2121

ST. LOUIS, MISSOURI 63102-2121

ST. LOUIS, MISSOURI 63102-2121

ST. LOUIS, MISSOURI 63102-2121

ST. LOUIS, MISSOURI 63102-2121

ST. LOUIS, MISSOURI 63102-2121

ST. LOUIS, MISSOURI 63102-2121

ST. LOUIS, MISSOURI 63102-2121

ST. LOUIS, MISSOURI 63102-2121

ST. LOUIS, MISSOURI 63102-2121

ST. LOUIS, MISSOURI 63102-2121

ST. LOUIS, MISSOURI 63102-2121

ST. LOUIS, MISSOURI 63102-2121

ST. LOUIS, MISSOURI 63102-2121

REV. DATE DESCRIPTION

Appendix F

Request for Environmental Services

This RES has been completed, only administrators may edit this document now, they will contact you if any information changes.

Date Completed: 06/11/2019

Completed By: Charlotte Drinkard

Request for Environmental Services Form#:2019-05-01290

Project Information

| | | | | | |
|---|--|------------------|-----------------|---------|------------|
| Stage: | Location/Conceptual | Previous RES(s): | No RES Selected | | |
| Job Number (w/o 'J'): | 2P3090 | District: | Northeast | County: | Montgomery |
| TIP Number: | | Rte/Street: | MO 19 | | |
| Letting Date: | | PS&E Due Date: | | | |
| Location: | over I-70 near New Florence. | | | | |
| TMS Project Description - termini (no stations): | Scoping for bridge improvements over I-70 near New Florence. Project involves bridge A0986. | | | | |
| Describe RES project improvements in full detail: | A conceptual report is being prepared for the replacement of bridge A0986 on Montgomery 19 over I-70 near New Florence. Several options are being reviewed in order to make a final selection for the project. Please identify potential environmental issues for each option. Please note, the right of way amounts and tree clearing vary with each option; however, the RES form required a number for submittal. I inserted generic numbers in these fields. | | | | |

These users will receive a notification when Environmental Services completes the current stage, the person who created this form as well as the person who submits it will also receive notification.

| | | | |
|-------------------|--|-------------------|---|
| Project Manager: | Kimberly Trainor - 573-248-2576 | TP Designer: | Toshia Drebes - 573-406-6543 |
| District Contact: | None selected | District Contact: | None selected |
| Date Desired: | 06/15/2019 | Submit Date: | 05/16/2019 |
| Desired A-Date: | | | |
| Created By: | Kimberly Trainor - (5/16/2019 3:15:54 PM) - 573-248-2576 | Submitted By: | Kimberly Trainor - (5/16/2019 12:00:00 AM) - 573-248-2576 |

Program Year:

Preliminary Engineering: 2019 Right of Way: N/A

Construction: N/A

Has the district documented that the project has:
1. Independent utility,
2. Logical termini, and
3. Does not restrict consideration of alternatives for other reasonably foreseeable transportation improvements?
 Yes No

Changes to project since last RES submittal? If yes, explain:
 No Design/Build Alternate Technical Concepts

Project breakout from previous or larger project? *If checked explain:*

Acres - From all sources (e.g. donated from public or private entities):

Additional R/W: 2

Temp Easement: 0

Permanent Easement: 0

ROW may be needed, but, not yet determined? Yes

Acres of Tree Clearing: 1 acres

Is ANY Federally-owned land impacted by the project? Yes No

Land Disturbance / Stormwater:

Will project involve 1 acre of land disturbance: Yes No Unknown

Define project type (see definitions below): New Development Redevelopment Maintenance

Projects with one acre or greater land disturbance activities must comply with the Land Disturbance Permit requirements.

New Development - Projects (with land disturbance greater than or equal to 1 acre) that are constructed where there was previously no transportation facility.

Redevelopment - Non-maintenance work performed to or on an existing public transportation facility which provides for an increased number of thru lanes of travel unless the work can be accommodated without increasing the width of the existing pavement. Widening of an existing road that does not result in an additional thru lane does not constitute redevelopment. Widening to add shoulders does not constitute a thru lane unless the total widening is greater than or equal to 10 feet.

Maintenance - Projects that do not meet the criteria of redevelopment or new development.

Number of Displacements(do not include partial takes that do not displace):

Residential: Yes No

Commercial: Yes No

No. of People: Residences:

No. of Employees: Businesses:

Public Hearing/Meeting Information:

Average Daily Traffic:

ADT Construction Year: 5000

ADT Design Year:

Traffic Impacts:

Road Closure Planned: Yes No

Bridge Closure Planned: Yes No

Detour Info (including use of local roads): Depending upon each option, there may be minor closure periods for connecting roadway segments prior to completing the bridge.

Days/Months Closed:

Bicycle / Pedestrian Consideration

Pedestrian facilities considered: Yes

Bicycle facilities considered: Yes

National Flood Insurance Program (NFIP) and Hydraulic Design Data:

Project is in a FEMA-identified zone "subject to 100-year flooding": *If so, what zone?:*

Project is in a FEMA-defined "floodway"

Project involves land purchased through FEMA Hazard Mitigation Grant Program (Flood buyout property)

If checked, give details:

Is highway improvement located within 4 miles of an existing airport?

Known Concerns: Provide information you have about these resources that you have observed in the area.

| | |
|--|----------|
| Parkland: | |
| Wetland/404 Permit: | |
| Land Disturbance / Stormwater: | |
| Farmland: | |
| Threatened & Endangered Species: | |
| Migratory Birds: Are there birds nesting on the structure? | Unknown, |
| Hazardous Waste: | |
| Cultural Resources: | |
| District Comments: | |

Project Attachments:

****NOTE: If making updates to an attachment, please use a different filename than the original.**

****The combined size of attachments in one upload must be less than 100MB**

Attachments:

- ✘ J2P3090_Option_7.pdf
- ✘ J2P3090_Option_1_Revised.pdf
- ✘ J2P3090_Option_2_Revised.pdf
- ✘ J2P3090_Option_2A.pdf
- ✘ J2P3090_Option_5.pdf

Required Information to be attached for each RES stage:

- **Loc/Concp.:** Location map (county map) & topographic map or aerial photo showing project limits – pre-plan sheets or other preliminary map showing alternatives, if available
- **Prel. Plan:** Prel. Plan sheets
- **R/W:** R/W Plan sheets
- **Final Design:** Final Plans [Location map (county map) & topographic map or aerial photo showing project limits if this is first RES submittal]

RES Environmental Screenings

Farmland Impact

Status Information: Status Changed By: Jo Dent N/A Pending Cleared Clearance Date:

Environmental Response: If any of the options require new right of way or permanent easements outside of New Florence city limits, the Farmland Protection Policy Act will apply requiring completion of a farmland evaluation in coordination with the NRCS. The NRCS has 30 days to respond upon receipt of project information.

Environmental Action: Continue to assess the need for a farmland evaluation as more information is provided from the district.

District Action: As it becomes known, provide right of way and easement amounts and locations to the environmental specialist for determining the need for a farmland evaluation.

Attachments:

- Farmland Impact Submitted - *Mark submitted when this review is ready to be sent to district staff.*
Last Updated: Jo Dent - 6/4/2019 9:10:20 AM

Floodplain/Regulatory Floodway

Status Information: Status Changed By: Jo Dent N/A Pending Cleared Clearance Date:

Environmental Response: According to the attached FEMA Firmette map, Option 7 (as labeled on the RES; the plan sheet indicates Option 6) could encroach upon Zone A 100-year floodplain of Smith Branch east of Route 19, at Coop Road and I-70. Based on the type of work that could occur in the floodplain and whether new right of way is needed at this location, a floodplain development permit from SEMA may be required. There are no areas of regulatory floodwa in and around the various option footprints.

Environmental Action: Continue to assess the need for a floodplain development permit from SEMA as more information is provided by the district.

District Action: Once established, submit detailed work description and new right of way and easement amounts to the environmental specialist to determine the need for a floodplain development permit from SEMA.

Attachments:

[✕FEMA-Firmette_Smith-Branch_100-year.pdf](#)

- Floodplain/Regulatory Floodway Submitted - *Mark submitted when this review is ready to be sent to district staff.*
Last Updated: Jo Dent - 6/10/2019 10:39:22 AM

Land Disturbance / Stormwater

Status Information: Status Changed By: Chris Shulse N/A Pending Cleared Clearance Date:

Environmental Response: The project is outside the TS4 area.

Environmental Action: None

District Action: None

TS4 Area: Yes No Partial Is the project in a TMDL watershed? Yes No

Attachments:

- Land Disturbance / Stormwater Submitted - *Mark submitted when this review is ready to be sent to district staff.*
Last Updated: Christopher Shulse - 6/6/2019 7:45:23 AM

FEMA/SEMA Buyout

Status Information: Status Changed By: Jo Dent N/A Pending Cleared Clearance Date:

Environmental Response: According to the TMS FEMA buyout layer, there are no buyout sites in the vicinity of the project area for any of the options. No impacts to buyout sites.

Environmental Action: None

District Action: None

Attachments:

- FEMA/SEMA Buyout Submitted - *Mark submitted when this review is ready to be sent to district staff.*
Last Updated: Jo Dent - 5/17/2019 2:05:42 PM

Socioeconomic Impact

Status Information: Status Changed By: Jo Dent N/A Pending Cleared Comment Date: 06/10/2019

Environmental Response: If any option chosen requires new right of way and/or easements, they would be subject to the Uniform Relocation Assistance and Real Property Acquisition Policies Act of 1970, as amended. If commercial and/or residential displacement should be needed, further assessment would be warranted to determine any potential impacts to low-income and minority residents and businesses owners. Traffic impacts will need to be explained for any of the options, including road closures, detours routes and lengths, approximate timeline for construction, and how and when the public would be notified. Any public involvement documentation (meetings, press releases, letters, sign-in sheets, meeting minutes, etc.) would need to be provided to the environmental specialist, including any known controversies, public comments, and MoDOT responses.

Environmental Action: Continue to assess impacts as more information is provided by the district.

District Action: Provide additional information and documentation to the environmental specialist as discussed above.

Attachments:

Socioeconomic Impact Submitted - Mark submitted when this review is ready to be sent to district staff.

Last Updated: Jo Dent - 6/10/2019 10:18:08 AM

Threatened & Endangered Species


Status Information: Status Changed By: Chris Shulse No Effect Pending Cleared Clearance Date:

Environmental Response: Consultation Code: 03E14000-2019-SLI-1604 May 16, 2019 Endangered Species Act Species List: Running Buffalo clover; Gray, Indiana, and Northern Long-eared bats. Running buffalo clover occurs in the transitional area between grassland and forest in areas with light disturbance. It can be found along streams. Although there are no records in the project area according to the MDC Heritage Database (April 2019) a field check along Smith Branch would be necessary with Option 7. The listed bat species roost in caves and mines during the winter. Indiana and northern long-eared bats roost in suitable trees during the summer. There are no caves or mines in the project area according to the MSS Cave Database (April 2019). Habitat assessments for suitable roost trees would be necessary for all options, but Option 7 would likely require formal consultation with USFWS and possible mitigation for tree clearing. This could result in longer clearance timelines. A JSP for winter tree clearing is possible with any of the options involving clearing, but is highly likely with Option 7. Presence/absence surveys may also be necessary for Option 7. Although all three bat species occasionally roost on bridges, the current structure is a slab and appears unlikely to serve as a roost.

Environmental Action: Re-evaluate.

District Action: See above.

Attachments:

 [Official_Species_List_2P3090.pdf](#)

Threatened & Endangered Species Submitted - Mark submitted when this review is ready to be sent to district staff.

Last Updated: Christopher Shulse - 6/6/2019 8:07:26 AM

Migratory Birds

Status Information: Status Changed By: Chris Shulse N/A Pending Cleared Clearance Date: 06/06/2019

Environmental Response: The existing bridge is a slab structure and not conducive to nesting for migratory birds. No nests are evident in Google Earth street level imagery (7/2018). No JSP necessary.

Environmental Action: None

District Action: None

Attachments:

Migratory Birds Submitted - Mark submitted when this review is ready to be sent to district staff.

Last Updated: Christopher Shulse - 6/6/2019 7:59:34 AM

Hazardous Waste Impact

Status Information: Status Changed By: Kevin Kelly N/A Pending Cleared Clearance Date: 05/29/2019

Environmental Response: The site location was reviewed utilizing the MDNR Interactive E-Start Map. The map contains information about the following types of sites: Superfund sites, Federal Facilities sites, Resource Conservation and Recovery Act Corrective Action sites, Brownfields/Voluntary Cleanup Program sites, Brownfield Assessments, and Petroleum and Hazardous Substance Storage Tank Facilities. No such sites were found within the project area. The potential to encounter wastes from sites unknown to MoDOT should always be a consideration. Any previously unknown sites that are found during project construction will be handled in accordance with Federal and State Laws and Regulations.

Environmental Action: None

District Action: Demolition or renovation of bridges requires asbestos inspection, notification and demolition notice to DNR. The District will need to submit a request for asbestos and painted concrete inspection to MoDOT's Chemical Laboratory. The information needed is outlined in Section 127.8.1.3.1 of the EPG. In regards to demolition notification, the Contractor (or MoDOT) is required to notify DNR 10-days in advance of all bridge demolitions. It is recommended that Section 202.40.1.1 Notification of Demolition paragraph be included in the contract documents to highlight this requirement.

Attachments:

Hazardous Waste Impact Submitted - *Mark submitted when this review is ready to be sent to district staff.*
Last Updated: Kevin Kelly - 5/29/2019 2:12:03 PM

Wetland Impact (Section 404/401)

Status Information: Status Changed By: Chris Shulse N/A Pending Cleared Clearance Date:

Environmental Response: Option 7 would impact Smith Branch on the east side of the project and would also impact a mapped emergent wetland in the NW quadrant of the project. The wetland may not be jurisdictional but a field check would be necessary. A Section 404 permit would be necessary for impacts. It is possible that mitigation for both streams and wetlands could be necessary with Option 7. The other options do not appear to impact any streams or wetlands and no permit would be required.

Environmental Action: Re-evaluate.

District Action: See above.

Wetland Permit Information: 404 Permit Number Permit Submitted Permit Received
Permit Expiration Compliance Certification Sent Compliance Certification Received

Attachments:

Wetland Impact Submitted - *Mark submitted when this review is ready to be sent to district staff.*
Last Updated: Christopher Shulse - 6/6/2019 7:57:07 AM

Noise Impact

Status Information: Status Changed By: Matt Burcham N/A Pending Cleared Clearance Date:

Environmental Response: Depending upon the option's improvements the project may meet the criteria of a Type I project. Options 5 and 7 would qualify as Type I and require a noise study. It is unlikely there will be impacts since the study area doesn't appear to have noise sensitive receptors. The other options are Type III candidates which would not require a noise analysis.

Environmental Action: Determine if chosen option is Type I, then proceed from that determination.

District Action: Inform of chosen option to build.

Attachments:

Noise Impact Submitted - *Mark submitted when this review is ready to be sent to district staff.*
Last Updated: Matthew Burcham - 6/4/2019 12:58:43 PM

► Cultural Resources Impact (Section 106)

Status Information:

Pending Cleared ROW Cleared

Status Changed By:
Russell Weisman

Clearance Date:

A Date Cleared:

Environmental Action: The area around the Route 19/70 interchange encompassing all the options was included in several previous cultural resources surveys. One small and seemingly NRHP non-eligible site (23MT1460) has been identified SW of the current outer rd intersections with Route 19 in the SW quadrant. There are no other known archaeological concerns at this interchange

District Action:

Attachments:

Adverse Effect or Conditional No Adverse Effect

Cultural Resources Impact Submitted - *Mark submitted when this review is ready to be sent to district staff.*

Last Updated: Russell Weisman - 6/5/2019 10:08:30 AM

► Public Land Impact (Section 4f/6f)

Status Information:

Status Changed By:
Jo Dent

N/A Pending Cleared

Clearance Date:

Environmental Response: According to Google Earth imagery and ArcMap public lands layers, there are no Section 4(f) or Section 6(f) resources in the vicinity of the project area for any of the options. Danville Conservation Area (MDC) is the nearest resource, approximately 2.5 miles southeast of the project area, off of Route RB. However, the project should not restrict access to this resource. No impacts to public recreational lands.

Environmental Action: None

District Action: None

Attachments:

Based on the review of the project location and description noted above, there are no identified 4(f) or 6(f) resources affected that would preclude the setting of an A-date.

Checked by: on

Public Land Impact Submitted - *Mark submitted when this review is ready to be sent to district staff.*

Last Updated: Jo Dent - 5/17/2019 2:30:07 PM

► Other

Status Information:

N/A Pending Cleared

Clearance Date:

Environmental Response:

District Action:

Attachments:

Other Screening Submitted - *Mark submitted when this review is ready to be sent to district staff.*

Last Updated: Unsaved

NEPA Classification

NEPA Right-Of-Way Permission: Pending as determined or approved by:

NEPA Approval/Proceed to A-date Request: Re-evaluation Date:
Final Design Complete:

NEPA Classification:

This project qualifies for the programmatic categorical exclusion under Item#: All Environmental Issues Cleared:

Comments To District: A re-evaluation of the SIU7 for the I-70 corridor will be required.

Attachments:

Last Submitted: 06/11/2019 by [Charlotte Drinkard](#)

Appendix G

HSM Evaluation Summary

MEMORANDUM

Date: August 19, 2019

To: Christina Sfreddo, Jacobs

From: Carrie A. Falkenrath

Subject: Predictive HSM Analysis Summary

Project: MO Route 19 over I-70
Jacobs Project No.: F3W94500-S19-0002
T² Job No: 18-07

Per the CORE team meeting and subsequent direction from MoDOT, I have completed a conceptual safety analysis of two of the proposed alternatives for the MO Route 19 over I-70 project. This analysis utilized HSM methodologies, specifically the *Predictive Method for Rural Two-Lane, Two-Way Roads Analysis Spreadsheet*. Because recent crash data was not available, a predictive analysis was performed for comparison purposes only. Per MoDOT's direction, Options 1 and 2 were evaluated with the No Build option (for contrast).

The results are tabulated below in **Table 1**, and summaries from the spreadsheets are attached. In summary, both corridor design Options will offer fewer crashes than the No Build alternative, reductions over 40% are projected. Furthermore, there are fewer crashes predicted for the two roundabouts in Option 1 vs. the four intersections in Option 2.

Table 1: HSM Predictive Analysis Results

| Scenario (2041 Design Year) | Predicted Average Crash Frequency (crashes/year) | | |
|--------------------------------|--|----------------|--------|
| | Total | Fatal & Injury | PDO |
| No Build | 18.321 | 7.607 | 10.714 |
| Option 1 | 9.377 | 3.571 | 5.806 |
| Option 2 | 10.832 | 4.379 | 6.453 |

The reduction in future crashes can be attributed to the additional turn lanes and roundabout added in Option 1 and the roundabout conversions in Option 2. It should be noted that the Crash Modification Factor (CMF) for turn lanes is built into the spreadsheet, but for roundabouts is selected by the analyst. For Option 2, CMF ID 229 ("Convert intersection with minor-road stop



control to a modern roundabout”) with a CRF of 0.29 was utilized for the proposed roundabout at Tree Farm Road/South Outer Road. This CMF has been approved and used in multiple previous projects for MoDOT. For Option 1, CMF ID 9445 (“Convert to interchange roundabouts with either a single RAB or a pair, 1-lane”) with a CRF of 0.756 was used. I felt this CMF was more applicable to the proposed design as well as more conservative.

Analysis results printed from the HSM spreadsheets are attached in the following pages.

NO BUILD OPTION

Worksheet 3A -- Predicted and Observed Crashes by Severity and Site Type Using the Site-Specific EB Method

| (1) | (2) | (3) | (4) | (5) | (6) | (7) | (8) |
|--------------------------|--|----------------------|-----------------------|---|-----------------------------|---|--|
| Site type | Predicted average crash frequency (crashes/year) | | | Observed crashes, $N_{observed}$ (crashes/year) | Overdispersion Parameter, k | Weighted adjustment, w Equation A-5 from Part C Appendix | Expected average crash frequency, Equation A-4 from Part C Appendix |
| | $N_{predicted}$ (TOTAL) | $N_{predicted}$ (FI) | $N_{predicted}$ (PDO) | | | | |
| ROADWAY SEGMENTS | | | | | | | |
| Segment 1 | | | | | | | |
| Segment 2 | | | | | | | |
| Segment 3 | | | | | | 1.000 | 0.0 |
| Segment 4 | | | | | | 1.000 | 0.0 |
| Segment 5 | | | | | | 1.000 | 0.0 |
| Segment 6 | | | | | | 1.000 | 0.0 |
| Segment 7 | | | | | | 1.000 | 0.0 |
| Segment 8 | | | | | | 1.000 | 0.0 |
| INTERSECTIONS | | | | | | | |
| Intersection 1 | 3.193 | 1.376 | 1.817 | | 0.240 | 0.566 | 1.8 |
| Intersection 2 | 5.092 | 2.194 | 2.897 | | 0.240 | 0.450 | 2.3 |
| Intersection 3 | 6.856 | 2.955 | 3.901 | | 0.240 | 0.378 | 2.6 |
| Intersection 4 | 3.180 | 1.081 | 2.099 | | 0.110 | 0.741 | 2.4 |
| Intersection 5 | | | | | | 1.000 | 0.0 |
| Intersection 6 | | | | | | 1.000 | 0.0 |
| Intersection 7 | | | | | | 1.000 | 0.0 |
| Intersection 8 | | | | | | 1.000 | 0.0 |
| COMBINED (sum of column) | 18.321 | 7.607 | 10.714 | 0 | -- | -- | 9.0 |

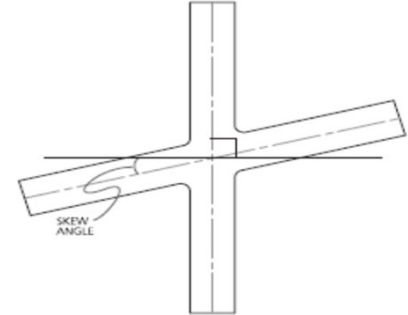
Worksheet 3B -- Site-Specific EB Method Summary Results

| (1) | (2) | (3) |
|----------------------------|---|---|
| Crash severity level | $N_{predicted}$ | $N_{expected}$ |
| Total | (2) _{COMB} from Worksheet 3A 18.321 | (8) _{COMB} from Worksheet 3A 9.0 |
| Fatal and Injury (FI) | (3) _{COMB} from Worksheet 3A 7.607 | (3) _{TOTAL} * (2) _{FI} / (2) _{TOTAL} 3.8 |
| Property Damage Only (PDO) | (4) _{COMB} from Worksheet 3A 10.714 | (3) _{TOTAL} * (2) _{PDO} / (2) _{TOTAL} 5.3 |

Worksheet 2A -- General Information and Input Data for Rural Two-Lane Two-Way Roadway Intersections

| General Information | | Location Information | |
|--|--|--|--|
| Analyst Agency or Company Date Performed | CAF T2 08/08/19 | Roadway Intersection Jurisdiction Analysis Year | MO Route 19 Route 19 at Tree Farm Road/SOR Montgomery County, MO 2041 |
| Input Data | | Base Conditions | Site Conditions |
| Intersection type (3ST, 4ST, 4SG) | | -- | 4ST |
| AADT _{major} (veh/day) | AADT _{MAX} = 14,700 (veh/day) | -- | 6,000 |
| AADT _{minor} (veh/day) | AADT _{MAX} = 3,500 (veh/day) | -- | 3,220 |
| Intersection skew angle (degrees) [If 4ST, does skew differ for minor legs?] | No | 0 | Skew for Leg 1 (All): 0 Skew for Leg 2 (4ST only): 0 |
| Number of signalized or uncontrolled approaches with a left-turn lane (0, 1, 2, 3, 4) | | 0 | 1 |
| Number of signalized or uncontrolled approaches with a right-turn lane (0, 1, 2, 3, 4) | | 0 | 0 |
| Intersection lighting (present/not present) | | Not Present | Present |
| Calibration Factor, C _i | | 1.00 | 1.00 |

Unsignalized four-leg (stop control on minor-road approaches)
AADT OK
AADT OK
Skew Intersection:



Worksheet 2B -- Crash Modification Factors for Rural Two-Lane Two-Way Roadway Intersections

| (1) CMF for Intersection Skew Angle CMF ₁₁ from Equations 10-22 or 10-23 | (2) CMF for Left-Turn Lanes CMF ₂₁ from Table 10-13 | (3) CMF for Right-Turn Lanes CMF ₃₁ from Table 10-14 | (4) CMF for Lighting CMF ₄₁ from Equation 10-24 | (5) Combined CMF CMF _{COMB} (1)*(2)*(3)*(4) |
|--|---|--|---|---|
| 1.00 | 0.72 | 1.00 | 0.91 | 0.65 |

Worksheet 2C -- Intersection Crashes for Rural Two-Lane Two-Way Roadway Intersections

| (1) Crash Severity Level | (2) N _{spl 3ST, 4ST or 4SG} from Equations 10-8, 10-9, or 10-10 | (3) Overdispersion Parameter, k from Section 10.6.2 | (4) Crash Severity Distribution from Table 10-5 | (5) N _{spl 3ST, 4ST or 4SG} by Severity Distribution (2) _{TOTAL} * (4) | (6) Combined CMFs from (5) of Worksheet 2B | (7) Calibration Factor, C _i | (8) Predicted average crash frequency, N _{predicted int} (5)*(6)*(7) |
|-----------------------------|--|---|---|--|--|---|--|
| Total | 4.888 | 0.24 | 1.000 | 4.888 | 0.65 | 1.00 | 3.193 |
| Fatal and Injury (FI) | -- | -- | 0.431 | 2.107 | 0.65 | 1.00 | 1.376 |
| Property Damage Only (PDO) | -- | -- | 0.569 | 2.781 | 0.65 | 1.00 | 1.817 |

Worksheet 2D -- Crashes by Severity Level and Collision Type for Rural Two-Lane Two-Way Road Intersections

| (1) Collision Type | (2) Proportion of Collision Type _{TOTAL} from Table 10-6 | (3) N _{predicted int (TOTAL)} (crashes/year) (8) _{TOTAL} from Worksheet 2C | (4) Proportion of Collision Type _{FI} from Table 10-6 | (5) N _{predicted int (FI)} (crashes/year) (8) _{FI} from Worksheet 2C | (6) Proportion of Collision Type _{PDO} from Table 10-6 | (7) N _{predicted int (PDO)} (crashes/year) (8) _{PDO} from Worksheet 2C |
|----------------------------------|---|--|--|--|---|--|
| SINGLE-VEHICLE | | | | | | |
| Collision with animal | 0.010 | 0.032 | 0.006 | 0.008 | 0.014 | 0.025 |
| Collision with bicycle | 0.001 | 0.003 | 0.001 | 0.001 | 0.001 | 0.002 |
| Collision with pedestrian | 0.001 | 0.003 | 0.001 | 0.001 | 0.001 | 0.002 |
| Overtaken | 0.005 | 0.016 | 0.006 | 0.008 | 0.004 | 0.007 |
| Ran off road | 0.122 | 0.390 | 0.094 | 0.129 | 0.144 | 0.262 |
| Other single-vehicle collision | 0.008 | 0.026 | 0.004 | 0.006 | 0.010 | 0.018 |
| Total single-vehicle crashes | 0.147 | 0.469 | 0.112 | 0.154 | 0.174 | 0.316 |
| MULTIPLE-VEHICLE | | | | | | |
| Angle collision | 0.431 | 1.376 | 0.532 | 0.732 | 0.354 | 0.643 |
| Head-on collision | 0.040 | 0.128 | 0.060 | 0.083 | 0.025 | 0.045 |
| Rear-end collision | 0.242 | 0.773 | 0.210 | 0.289 | 0.266 | 0.483 |
| Sideswipe collision | 0.101 | 0.322 | 0.044 | 0.061 | 0.144 | 0.262 |
| Other multiple-vehicle collision | 0.039 | 0.125 | 0.042 | 0.058 | 0.037 | 0.067 |
| Total multiple-vehicle crashes | 0.853 | 2.724 | 0.888 | 1.222 | 0.826 | 1.501 |

Worksheet 2E -- Summary Results for Rural Two-Lane Two-Way Road Intersections

| (1) Crash severity level | (2) Crash Severity Distribution (proportion) (4) from Worksheet 2C | (3) Predicted average crash frequency (crashes / year) (8) from Worksheet 2C |
|-----------------------------|--|--|
| Total | 1.000 | 3.2 |
| Fatal and Injury (FI) | 0.431 | 1.4 |
| Property Damage Only (PDO) | 0.569 | 1.8 |

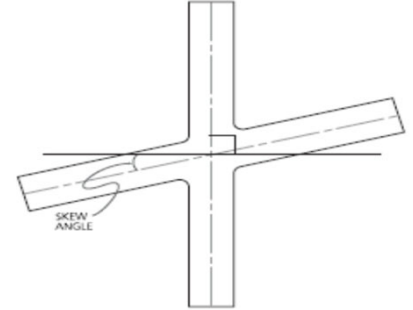
Worksheet 2A -- General Information and Input Data for Rural Two-Lane Two-Way Roadway Intersections

| General Information | | Location Information | |
|--|--|---|--|
| Analyst Agency or Company Date Performed | CAF T2 08/08/19 | Roadway Intersection Jurisdiction Analysis Year | MO Route 19 Route 19 at I-70 EB Ramp Terminals Montgomery County, MO 2041 |
| Input Data | | Base Conditions | Site Conditions |
| Intersection type (3ST, 4ST, 4SG) | | -- | 4ST |
| AADT _{major} (veh/day) | AADT _{MAX} = 14,700 (veh/day) | -- | 9,100 |
| AADT _{minor} (veh/day) | AADT _{MAX} = 3,500 (veh/day) | -- | 1,800 |
| Intersection skew angle (degrees) [If 4ST, does skew differ for minor legs?] | No | 0 | Skew for Leg 1 (All): 45 Skew for Leg 2 (4ST only): 30 |
| Number of signalized or uncontrolled approaches with a left-turn lane (0, 1, 2, 3, 4) | | 0 | 0 |
| Number of signalized or uncontrolled approaches with a right-turn lane (0, 1, 2, 3, 4) | | 0 | 0 |
| Intersection lighting (present/not present) | | Not Present | Present |
| Calibration Factor, C _i | | 1.00 | 1.00 |

AADT OK Unsignalized four-leg (stop control on minor-road approaches)

AADT OK

Skew Intersection:



Worksheet 2B -- Crash Modification Factors for Rural Two-Lane Two-Way Roadway Intersections

| (1) | (2) | (3) | (4) | (5) |
|--|--|---|--|--|
| CMF for Intersection Skew Angle CMF _s from Equations 10-22 or 10-23 | CMF for Left-Turn Lanes CMF _{2l} from Table 10-13 | CMF for Right-Turn Lanes CMF _{3r} from Table 10-14 | CMF for Lighting CMF _{4l} from Equation 10-24 | Combined CMF CMF _{COMB} (1)*(2)*(3)*(4) |
| 1.28 | 1.00 | 1.00 | 0.91 | 1.16 |

Worksheet 2C -- Intersection Crashes for Rural Two-Lane Two-Way Roadway Intersections

| (1) | (2) | (3) | (4) | (5) | (6) | (7) | (8) |
|----------------------------|--|--|--|--|---|------------------------------------|--|
| Crash Severity Level | N _{sp} 3ST, 4ST or 4SG from Equations 10-8, 10-9, or 10-10 | Overdispersion Parameter, k from Section 10.6.2 | Crash Severity Distribution from Table 10-5 | N _{sp} 3ST, 4ST or 4SG by Severity Distribution (2) _{TOTAL} * (4) | Combined CMFs from (5) of Worksheet 2B | Calibration Factor, C _i | Predicted average crash frequency, N _{predicted int} (5)*(6)*(7) |
| Total | 4.401 | 0.24 | 1.000 | 4.401 | 1.16 | 1.00 | 5.092 |
| Fatal and Injury (FI) | -- | -- | 0.431 | 1.897 | 1.16 | 1.00 | 2.194 |
| Property Damage Only (PDO) | -- | -- | 0.569 | 2.504 | 1.16 | 1.00 | 2.897 |

Worksheet 2D -- Crashes by Severity Level and Collision Type for Rural Two-Lane Two-Way Road Intersections

| (1) | (2) | (3) | (4) | (5) | (6) | (7) |
|----------------------------------|--|---|---|---|--|---|
| Collision Type | Proportion of Collision Type _{TOTAL} from Table 10-6 | N _{predicted int} (TOTAL) (crashes/year) (8) _{TOTAL} from Worksheet 2C | Proportion of Collision Type _{FI} from Table 10-6 | N _{predicted int} (FI) (crashes/year) (8) _{FI} from Worksheet 2C | Proportion of Collision Type _{PDO} from Table 10-6 | N _{predicted int} (PDO) (crashes/year) (8) _{PDO} from Worksheet 2C |
| Total | 1.000 | 5.092 (2)x(3) _{TOTAL} | 1.000 | 2.194 (4)x(5) _{FI} | 1.000 | 2.897 (6)x(7) _{PDO} |
| SINGLE-VEHICLE | | | | | | |
| Collision with animal | 0.010 | 0.051 | 0.008 | 0.013 | 0.014 | 0.041 |
| Collision with bicycle | 0.001 | 0.005 | 0.001 | 0.002 | 0.001 | 0.003 |
| Collision with pedestrian | 0.001 | 0.005 | 0.001 | 0.002 | 0.001 | 0.003 |
| Overtaken | 0.005 | 0.025 | 0.006 | 0.013 | 0.004 | 0.012 |
| Ran off road | 0.122 | 0.621 | 0.094 | 0.206 | 0.144 | 0.417 |
| Other single-vehicle collision | 0.008 | 0.041 | 0.004 | 0.009 | 0.010 | 0.029 |
| Total single-vehicle crashes | 0.147 | 0.748 | 0.112 | 0.246 | 0.174 | 0.504 |
| MULTIPLE-VEHICLE | | | | | | |
| Angle collision | 0.431 | 2.194 | 0.532 | 1.167 | 0.354 | 1.026 |
| Head-on collision | 0.040 | 0.204 | 0.060 | 0.132 | 0.025 | 0.072 |
| Rear-end collision | 0.242 | 1.232 | 0.210 | 0.461 | 0.266 | 0.771 |
| Sideswipe collision | 0.101 | 0.514 | 0.044 | 0.097 | 0.144 | 0.417 |
| Other multiple-vehicle collision | 0.039 | 0.199 | 0.042 | 0.092 | 0.037 | 0.107 |
| Total multiple-vehicle crashes | 0.853 | 4.343 | 0.888 | 1.949 | 0.826 | 2.393 |

Worksheet 2E -- Summary Results for Rural Two-Lane Two-Way Road Intersections

| (1) | (2) | (3) |
|----------------------------|---|---|
| Crash severity level | Crash Severity Distribution (proportion) (4) from Worksheet 2C | Predicted average crash frequency (crashes / year) (8) from Worksheet 2C |
| Total | 1.000 | 5.1 |
| Fatal and Injury (FI) | 0.431 | 2.2 |
| Property Damage Only (PDO) | 0.569 | 2.9 |

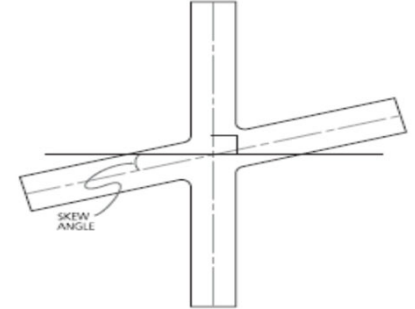
Worksheet 2A -- General Information and Input Data for Rural Two-Lane Two-Way Roadway Intersections

| General Information | | Location Information | |
|--|--|----------------------|---|
| Analyst | CAF | Roadway | MO Route 19 |
| Agency or Company | T2 | Intersection | Route 19 at I-70 WB Ramp Terminals |
| Date Performed | 08/08/19 | Jurisdiction | Montgomery County, MO |
| | | Analysis Year | 2041 |
| Input Data | | Base Conditions | Site Conditions |
| Intersection type (3ST, 4ST, 4SG) | | -- | 4ST |
| AADT _{major} (veh/day) | AADT _{MAX} = 14,700 (veh/day) | -- | 7,600 |
| AADT _{minor} (veh/day) | AADT _{MAX} = 3,500 (veh/day) | -- | 3,500 |
| Intersection skew angle (degrees) [If 4ST, does skew differ for minor legs?] | No | 0 | Skew for Leg 1 (All): 45 Skew for Leg 2 (4ST only): 30 |
| Number of signalized or uncontrolled approaches with a left-turn lane (0, 1, 2, 3, 4) | | 0 | 0 |
| Number of signalized or uncontrolled approaches with a right-turn lane (0, 1, 2, 3, 4) | | 0 | 0 |
| Intersection lighting (present/not present) | | Not Present | Present |
| Calibration Factor, C _i | | 1.00 | 1.00 |

AADT OK Unsignalized four-leg (stop control on minor-road approaches)

AADT OK

Skew Intersection:



Worksheet 2B -- Crash Modification Factors for Rural Two-Lane Two-Way Roadway Intersections

| (1) | (2) | (3) | (4) | (5) |
|--|--|---|--|--|
| CMF for Intersection Skew Angle CMF _s from Equations 10-22 or 10-23 | CMF for Left-Turn Lanes CMF _{2l} from Table 10-13 | CMF for Right-Turn Lanes CMF _{3r} from Table 10-14 | CMF for Lighting CMF _{4l} from Equation 10-24 | Combined CMF CMF _{COMB} (1)*(2)*(3)*(4) |
| 1.28 | 1.00 | 1.00 | 0.91 | 1.16 |

Worksheet 2C -- Intersection Crashes for Rural Two-Lane Two-Way Roadway Intersections

| (1) | (2) | (3) | (4) | (5) | (6) | (7) | (8) |
|----------------------------|--|--|--|--|---|------------------------------------|--|
| Crash Severity Level | N _{sp} 3ST, 4ST or 4SG from Equations 10-8, 10-9, or 10-10 | Overdispersion Parameter, k from Section 10.6.2 | Crash Severity Distribution from Table 10-5 | N _{sp} 3ST, 4ST or 4SG by Severity Distribution (2) _{TOTAL} * (4) | Combined CMFs from (5) of Worksheet 2B | Calibration Factor, C _i | Predicted average crash frequency, N _{predicted int} (5)*(6)*(7) |
| Total | 5.927 | 0.24 | 1.000 | 5.927 | 1.16 | 1.00 | 6.856 |
| Fatal and Injury (FI) | -- | -- | 0.431 | 2.554 | 1.16 | 1.00 | 2.955 |
| Property Damage Only (PDO) | -- | -- | 0.569 | 3.372 | 1.16 | 1.00 | 3.901 |

Worksheet 2D -- Crashes by Severity Level and Collision Type for Rural Two-Lane Two-Way Road Intersections

| (1) | (2) | (3) | (4) | (5) | (6) | (7) |
|----------------------------------|--|---|---|---|--|---|
| Collision Type | Proportion of Collision Type _{TOTAL} from Table 10-6 | N _{predicted int} (TOTAL) (crashes/year) (8) _{TOTAL} from Worksheet 2C | Proportion of Collision Type _{FI} from Table 10-6 | N _{predicted int} (FI) (crashes/year) (8) _{FI} from Worksheet 2C | Proportion of Collision Type _{PDO} from Table 10-6 | N _{predicted int} (PDO) (crashes/year) (8) _{PDO} from Worksheet 2C |
| Total | 1.000 | 6.856 (2)x(3) _{TOTAL} | 1.000 | 2.955 (4)x(5) _{FI} | 1.000 | 3.901 (6)x(7) _{PDO} |
| SINGLE-VEHICLE | | | | | | |
| Collision with animal | 0.010 | 0.069 | 0.006 | 0.018 | 0.014 | 0.055 |
| Collision with bicycle | 0.001 | 0.007 | 0.001 | 0.003 | 0.001 | 0.004 |
| Collision with pedestrian | 0.001 | 0.007 | 0.001 | 0.003 | 0.001 | 0.004 |
| Overturned | 0.005 | 0.034 | 0.006 | 0.018 | 0.004 | 0.016 |
| Ran off road | 0.122 | 0.836 | 0.094 | 0.278 | 0.144 | 0.562 |
| Other single-vehicle collision | 0.008 | 0.055 | 0.004 | 0.012 | 0.010 | 0.039 |
| Total single-vehicle crashes | 0.147 | 1.008 | 0.112 | 0.331 | 0.174 | 0.679 |
| MULTIPLE-VEHICLE | | | | | | |
| Angle collision | 0.431 | 2.955 | 0.532 | 1.572 | 0.354 | 1.381 |
| Head-on collision | 0.040 | 0.274 | 0.060 | 0.177 | 0.025 | 0.098 |
| Rear-end collision | 0.242 | 1.659 | 0.210 | 0.621 | 0.266 | 1.038 |
| Sideswipe collision | 0.101 | 0.692 | 0.044 | 0.130 | 0.144 | 0.562 |
| Other multiple-vehicle collision | 0.039 | 0.267 | 0.042 | 0.124 | 0.037 | 0.144 |
| Total multiple-vehicle crashes | 0.853 | 5.848 | 0.888 | 2.624 | 0.826 | 3.222 |

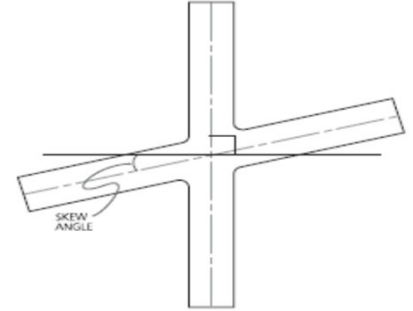
Worksheet 2E -- Summary Results for Rural Two-Lane Two-Way Road Intersections

| (1) | (2) | (3) |
|----------------------------|---|---|
| Crash severity level | Crash Severity Distribution (proportion) (4) from Worksheet 2C | Predicted average crash frequency (crashes / year) (8) from Worksheet 2C |
| Total | 1.000 | 6.9 |
| Fatal and Injury (FI) | 0.431 | 3.0 |
| Property Damage Only (PDO) | 0.569 | 3.9 |

Worksheet 2A -- General Information and Input Data for Rural Two-Lane Two-Way Roadway Intersections

| General Information | | Location Information | |
|--|--|----------------------|--|
| Analyst | CAF | Roadway | MO Route 19 |
| Agency or Company | T2 | Intersection | Route 19 at Booneslick Rd/NOR |
| Date Performed | 08/08/19 | Jurisdiction | Montgomery County, MO |
| | | Analysis Year | 2041 |
| Input Data | | Base Conditions | Site Conditions |
| Intersection type (3ST, 4ST, 4SG) | | -- | 4SG |
| AADT _{major} (veh/day) | AADT _{MAX} = 25,200 (veh/day) | -- | 8,000 |
| AADT _{minor} (veh/day) | AADT _{MAX} = 12,500 (veh/day) | -- | 2,600 |
| Intersection skew angle (degrees) [If 4ST, does skew differ for minor legs?] | Yes | 0 | Skew for Leg 1 (All): 10 Skew for Leg 2 (4ST only): 0 |
| Number of signalized or uncontrolled approaches with a left-turn lane (0, 1, 2, 3, 4) | | 0 | 2 |
| Number of signalized or uncontrolled approaches with a right-turn lane (0, 1, 2, 3, 4) | | 0 | 4 |
| Intersection lighting (present/not present) | | Not Present | Present |
| Calibration Factor, C _i | | 1.00 | 1.00 |

Signalized four-leg
AADT OK
AADT OK
Skew Intersection:



Worksheet 2B -- Crash Modification Factors for Rural Two-Lane Two-Way Roadway Intersections

| (1) CMF for Intersection Skew Angle CMF _{s1} from Equations 10-22 or 10-23 | (2) CMF for Left-Turn Lanes CMF _{2i} from Table 10-13 | (3) CMF for Right-Turn Lanes CMF _{3i} from Table 10-14 | (4) CMF for Lighting CMF _{4i} from Equation 10-24 | (5) Combined CMF CMF _{COMB} (1)*(2)*(3)*(4) |
|--|---|--|---|---|
| 1.00 | 0.67 | 0.85 | 0.89 | 0.51 |

Worksheet 2C -- Intersection Crashes for Rural Two-Lane Two-Way Roadway Intersections

| (1) Crash Severity Level | (2) N _{spl 3ST, 4ST or 4SG} | (3) Overdispersion Parameter, k | (4) Crash Severity Distribution | (5) N _{spl 3ST, 4ST or 4SG} by Severity Distribution | (6) Combined CMFs | (7) Calibration Factor, C _i | (8) Predicted average crash frequency, N _{predicted int} |
|-----------------------------|---|------------------------------------|------------------------------------|--|--------------------------|---|--|
| | from Equations 10-8, 10-9, or 10-10 | from Section 10.6.2 | from Table 10-5 | (2) _{TOTAL} * (4) | from (5) of Worksheet 2B | | (5)*(6)*(7) |
| Total | 6,265 | 0.11 | 1,000 | 6,265 | 0.51 | 1.00 | 3,180 |
| Fatal and Injury (FI) | -- | -- | 0.340 | 2,130 | 0.51 | 1.00 | 1,081 |
| Property Damage Only (PDO) | -- | -- | 0.660 | 4,135 | 0.51 | 1.00 | 2,099 |

Worksheet 2D -- Crashes by Severity Level and Collision Type for Rural Two-Lane Two-Way Road Intersections

| (1) Collision Type | (2) Proportion of Collision Type _{TOTAL} | (3) N _{predicted int (TOTAL)} (crashes/year) | (4) Proportion of Collision Type _{FI} | (5) N _{predicted int (FI)} (crashes/year) | (6) Proportion of Collision Type _{PDO} | (7) N _{predicted int (PDO)} (crashes/year) |
|----------------------------------|--|--|---|---|--|--|
| | from Table 10-6 | (8) _{TOTAL} from Worksheet 2C | from Table 10-6 | (8) _{FI} from Worksheet 2C | from Table 10-6 | (8) _{PDO} from Worksheet 2C |
| Total | 1.000 | 3,180 | 1.000 | 1,081 | 1.000 | 2,099 |
| | | (2)x(3) _{TOTAL} | | (4)x(5) _{FI} | | (6)x(7) _{PDO} |
| SINGLE-VEHICLE | | | | | | |
| Collision with animal | 0.002 | 0.006 | 0.000 | 0.000 | 0.003 | 0.006 |
| Collision with bicycle | 0.001 | 0.003 | 0.001 | 0.001 | 0.001 | 0.002 |
| Collision with pedestrian | 0.001 | 0.003 | 0.001 | 0.001 | 0.001 | 0.002 |
| Overturned | 0.003 | 0.010 | 0.003 | 0.003 | 0.003 | 0.006 |
| Ran off road | 0.064 | 0.204 | 0.032 | 0.035 | 0.081 | 0.170 |
| Other single-vehicle collision | 0.005 | 0.016 | 0.003 | 0.003 | 0.018 | 0.038 |
| Total single-vehicle crashes | 0.076 | 0.242 | 0.040 | 0.043 | 0.107 | 0.225 |
| MULTIPLE-VEHICLE | | | | | | |
| Angle collision | 0.274 | 0.871 | 0.336 | 0.363 | 0.242 | 0.508 |
| Head-on collision | 0.054 | 0.172 | 0.080 | 0.086 | 0.040 | 0.084 |
| Rear-end collision | 0.426 | 1.355 | 0.403 | 0.436 | 0.438 | 0.919 |
| Sideswipe collision | 0.118 | 0.375 | 0.051 | 0.055 | 0.153 | 0.321 |
| Other multiple-vehicle collision | 0.052 | 0.165 | 0.090 | 0.097 | 0.020 | 0.042 |
| Total multiple-vehicle crashes | 0.924 | 2,938 | 0.960 | 1,038 | 0.893 | 1,874 |

Worksheet 2E -- Summary Results for Rural Two-Lane Two-Way Road Intersections

| (1) Crash severity level | (2) Crash Severity Distribution (proportion) | (3) Predicted average crash frequency (crashes / year) |
|-----------------------------|---|---|
| | (4) from Worksheet 2C | (8) from Worksheet 2C |
| Total | 1.000 | 3.2 |
| Fatal and Injury (FI) | 0.340 | 1.1 |
| Property Damage Only (PDO) | 0.660 | 2.1 |



OPTION 1
(Two Roundabouts)

Worksheet 3A -- Predicted and Observed Crashes by Severity and Site Type Using the Site-Specific EB Method

| (1) | (2) | (3) | (4) | (5) | (6) | (7) | (8) |
|--------------------------|---|----------------------|--------------------------|--|--------------------------------|--|--|
| Site type | Predicted average crash frequency (crashes/year) | | | Observed crashes, $N_{observed}$ (crashes/year) | Overdispersion Parameter, k | Weighted adjustment, w Equation A-5 from Part C Appendix | Expected average crash frequency, Equation A-4 from Part C Appendix |
| | $N_{predicted}$ (TOTAL) | $N_{predicted}$ (FI) | $N_{predicted}$ (PDO) | | | | |
| ROADWAY SEGMENTS | | | | | | | |
| Segment 1 | | | | | | | |
| Segment 2 | | | | | | | |
| Segment 3 | | | | | | 1.000 | 0.0 |
| Segment 4 | | | | | | 1.000 | 0.0 |
| Segment 5 | | | | | | 1.000 | 0.0 |
| Segment 6 | | | | | | 1.000 | 0.0 |
| Segment 7 | | | | | | 1.000 | 0.0 |
| Segment 8 | | | | | | 1.000 | 0.0 |
| INTERSECTIONS | | | | | | | |
| Intersection 1 | 4.203 | 1.811 | 2.391 | | 0.240 | 0.498 | 2.1 |
| Intersection 2 | | | | | | 1.000 | 0.0 |
| Intersection 3 | | | | | | 1.000 | 0.0 |
| Intersection 4 | 5.174 | 1.759 | 3.415 | | 0.110 | 0.637 | 3.3 |
| Intersection 5 | | | | | | 1.000 | 0.0 |
| Intersection 6 | | | | | | 1.000 | 0.0 |
| Intersection 7 | | | | | | 1.000 | 0.0 |
| Intersection 8 | | | | | | 1.000 | 0.0 |
| COMBINED (sum of column) | 9.377 | 3.571 | 5.806 | 0 | -- | -- | 5.4 |

Worksheet 3B -- Site-Specific EB Method Summary Results

| (1) | (2) | (3) |
|----------------------------|--|---|
| Crash severity level | $N_{predicted}$ | $N_{expected}$ |
| Total | (2) _{COMB} from Worksheet 3A 9.377 | (8) _{COMB} from Worksheet 3A 5.4 |
| Fatal and Injury (FI) | (3) _{COMB} from Worksheet 3A 3.571 | (3) _{TOTAL} * (2) _{FI} / (2) _{TOTAL} 2.1 |
| Property Damage Only (PDO) | (4) _{COMB} from Worksheet 3A 5.806 | (3) _{TOTAL} * (2) _{PDO} / (2) _{TOTAL} 3.3 |

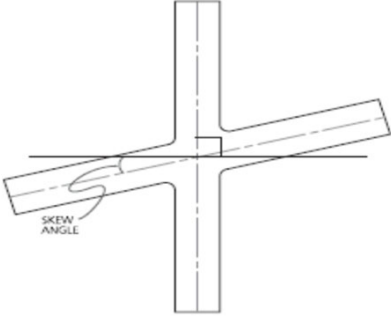
Worksheet 2A -- General Information and Input Data for Rural Two-Lane Two-Way Roadway Intersections

| General Information | | Location Information | |
|--|--|----------------------|---|
| Analyst | CAF | Roadway | MO Route 19 |
| Agency or Company | T2 | Intersection | Route 19 at Tree Farm Road/SOR |
| Date Performed | 08/08/19 | Jurisdiction | Montgomery County, MO |
| | | Analysis Year | 2041 |
| Input Data | | Base Conditions | Site Conditions |
| Intersection type (3ST, 4ST, 4SG) | | -- | 4ST |
| AADT _{major} (veh/day) | AADT _{MAX} = 14,700 (veh/day) | -- | 8,800 |
| AADT _{minor} (veh/day) | AADT _{MAX} = 3,500 (veh/day) | -- | 3,200 |
| Intersection skew angle (degrees) [If 4ST, does skew differ for minor legs?] | No | 0 | Skew for Leg 1 (All): 0 Skew for Leg 2 (4ST only): 0 |
| Number of signalized or uncontrolled approaches with a left-turn lane (0, 1, 2, 3, 4) | | 0 | 0 |
| Number of signalized or uncontrolled approaches with a right-turn lane (0, 1, 2, 3, 4) | | 0 | 0 |
| Intersection lighting (present/not present) | | Not Present | Present |
| Calibration Factor, C _i | | 1.00 | 1.00 |

Unsignalized four-leg (stop control on minor-road approaches)

AADT OK
AADT OK

Skew Intersection:



Worksheet 2B -- Crash Modification Factors for Rural Two-Lane Two-Way Roadway Intersections

| (1) | (2) | (3) | (4) | (5) |
|--|--|---|---------------------------------------|-------------------------------------|
| CMF for Intersection Skew Angle CMF ₁₁ | CMF for Left-Turn Lanes CMF ₂₁ | CMF for Right-Turn Lanes CMF ₃₁ | CMF for Lighting CMF ₄₁ | Combined CMF CMF _{COMB} |
| from Equations 10-22 or 10-23 | from Table 10-13 | from Table 10-14 | from Equation 10-24 | (1)*(2)*(3)*(4)*(5) |
| 1.00 | 1.00 | 1.00 | 0.91 | 0.69 |

Worksheet 2C -- Intersection Crashes for Rural Two-Lane Two-Way Roadway Intersections

| (1) | (2) | (3) | (4) | (5) | (6) | (7) | (8) |
|----------------------------|-------------------------------------|-----------------------------|-----------------------------|---|---|------------------------------------|--|
| Crash Severity Level | N _{spl 3ST, 4ST or 4SG} | Overdispersion Parameter, k | Crash Severity Distribution | N _{spl 3ST, 4ST or 4SG by Severity Distribution} | Combined CMFs from (5) of Worksheet 2B | Calibration Factor, C _i | Predicted average crash frequency, N _{predicted int} |
| | from Equations 10-8, 10-9, or 10-10 | from Section 10.6.2 | from Table 10-5 | (2) _{TOTAL} * (4) | | | |
| Total | 6.127 | 0.24 | 1.000 | 6.127 | 0.69 | 1.00 | 4.203 |
| Fatal and Injury (FI) | -- | -- | 0.431 | 2.641 | 0.69 | 1.00 | 1.811 |
| Property Damage Only (PDO) | -- | -- | 0.569 | 3.486 | 0.69 | 1.00 | 2.391 |

Worksheet 2D -- Crashes by Severity Level and Collision Type for Rural Two-Lane Two-Way Road Intersections

| (1) | (2) | (3) | (4) | (5) | (6) | (7) |
|----------------------------------|---|---|--|--|---|---|
| Collision Type | Proportion of Collision Type _(TOTAL) | N _{predicted int (TOTAL)} (crashes/year) | Proportion of Collision Type _(FI) | N _{predicted int (FI)} (crashes/year) | Proportion of Collision Type _(PDO) | N _{predicted int (PDO)} (crashes/year) |
| | from Table 10-6 | (8) _{TOTAL} from Worksheet 2C | from Table 10-6 | (8) _{FI} from Worksheet 2C | from Table 10-6 | (8) _{PDO} from Worksheet 2C |
| Total | 1.000 | 4.203 | 1.000 | 1.811 | 1.000 | 2.391 |
| | | (2)x(3) _{TOTAL} | | (4)x(5) _{FI} | | (6)x(7) _{PDO} |
| SINGLE-VEHICLE | | | | | | |
| Collision with animal | 0.010 | 0.042 | 0.006 | 0.011 | 0.014 | 0.033 |
| Collision with bicycle | 0.001 | 0.004 | 0.001 | 0.002 | 0.001 | 0.002 |
| Collision with pedestrian | 0.001 | 0.004 | 0.001 | 0.002 | 0.001 | 0.002 |
| Overturned | 0.005 | 0.021 | 0.006 | 0.011 | 0.004 | 0.010 |
| Ran off road | 0.122 | 0.513 | 0.094 | 0.170 | 0.144 | 0.344 |
| Other single-vehicle collision | 0.008 | 0.034 | 0.004 | 0.007 | 0.010 | 0.024 |
| Total single-vehicle crashes | 0.147 | 0.618 | 0.112 | 0.203 | 0.174 | 0.416 |
| MULTIPLE-VEHICLE | | | | | | |
| Angle collision | 0.431 | 1.811 | 0.532 | 0.964 | 0.354 | 0.847 |
| Head-on collision | 0.040 | 0.168 | 0.060 | 0.109 | 0.025 | 0.060 |
| Rear-end collision | 0.242 | 1.017 | 0.210 | 0.380 | 0.266 | 0.636 |
| Sideswipe collision | 0.101 | 0.424 | 0.044 | 0.080 | 0.144 | 0.344 |
| Other multiple-vehicle collision | 0.039 | 0.164 | 0.042 | 0.076 | 0.037 | 0.088 |
| Total multiple-vehicle crashes | 0.853 | 3.585 | 0.888 | 1.609 | 0.826 | 1.975 |

| CMF ID: | CMF ID: | CMF ID: | (5) CMF ID: |
|-----------------------|---------|---------|-----------------------|
| Value | Value | Value | Value |
| | | 9440 | 9445 |
| | | 1.066 | 0.756 |
| N _{expected} | 0.00 | 4.45 | N _{expected} |
| | 0.00 | 1.09 | 3.16 |
| | 0.00 | 3.36 | 0.77 |
| | | | 2.38 |

Convert to interchange roundabouts with either a single RAB or a pair; *1-2 lanes

Convert to interchange roundabouts with either a single RAB or a pair; *1-lane

Worksheet 2E -- Summary Results for Rural Two-Lane Two-Way Road Intersections

| (1) | (2) | (3) |
|----------------------------|--|--|
| Crash severity level | Crash Severity Distribution (proportion) | Predicted average crash frequency (crashes / year) |
| | (4) from Worksheet 2C | (8) from Worksheet 2C |
| Total | 1.000 | 4.2 |
| Fatal and Injury (FI) | 0.431 | 1.8 |
| Property Damage Only (PDO) | 0.569 | 2.4 |

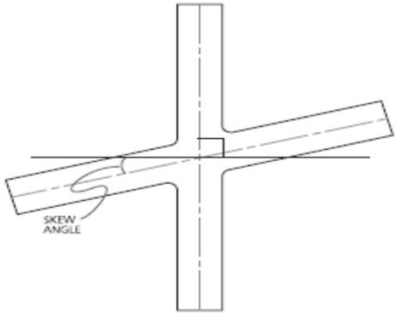
| Worksheet 2A -- General Information and Input Data for Rural Two-Lane Two-Way Roadway Intersections | | | | | |
|---|-----------------------|------------------|----------------------|-------------------------------|---|
| General Information | | | Location Information | | |
| Analyst | CAF | | Roadway | MO Route 19 | |
| Agency or Company | T2 | | Intersection | Route 19 at Booneslick Rd/NOR | |
| Date Performed | 08/08/19 | | Jurisdiction | Montgomery County, MO | |
| | | | Analysis Year | 2041 | |
| Input Data | | | Base Conditions | Site Conditions | |
| Intersection type (3ST, 4ST, 4SG) | | | -- | 4SG | |
| AADT _{major} (veh/day) | AADT _{MAX} = | 25,200 (veh/day) | -- | 11,230 | |
| AADT _{minor} (veh/day) | AADT _{MAX} = | 12,500 (veh/day) | -- | 2,600 | |
| Intersection skew angle (degrees) [If 4ST, does skew differ for minor legs?] | No | | 0 | Skew for Leg 1 (All): | 0 |
| Number of signalized or uncontrolled approaches with a left-turn lane (0, 1, 2, 3, 4) | | | 0 | 0 | |
| Number of signalized or uncontrolled approaches with a right-turn lane (0, 1, 2, 3, 4) | | | 0 | 0 | |
| Intersection lighting (present/not present) | | | Not Present | Present | |
| Calibration Factor, C _i | | | 1.00 | 1.00 | |

Signalized four-leg

AADT OK

AADT OK

Skew Intersection:



| Worksheet 2B -- Crash Modification Factors for Rural Two-Lane Two-Way Roadway Intersections | | | | |
|---|-------------------------|--------------------------|---------------------|---------------------|
| (1) | (2) | (3) | (4) | (5) |
| CMF for Intersection Skew Angle | CMF for Left-Turn Lanes | CMF for Right-Turn Lanes | CMF for Lighting | Combined CMF |
| CMF _{si} | CMF _{2l} | CMF _{3r} | CMF _{4l} | CMF _{CCMB} |
| from Equations 10-22 or 10-23 | from Table 10-13 | from Table 10-14 | from Equation 10-24 | (1)*(2)*(3)*(4)*(5) |
| 1.00 | 1.00 | 1.00 | 0.89 | 0.67 |

| Worksheet 2C -- Intersection Crashes for Rural Two-Lane Two-Way Roadway Intersections | | | | | | | |
|---|-------------------------------------|-----------------------------|-----------------------------|---|--------------------------|------------------------------------|---|
| (1) | (2) | (3) | (4) | (5) | (6) | (7) | (8) |
| Crash Severity Level | N _{adj 3ST, 4ST or 4SG} | Overdispersion Parameter, k | Crash Severity Distribution | N _{adj 3ST, 4ST or 4SG by Severity Distribution} | Combined CMFs | Calibration Factor, C _i | Predicted average crash frequency, N _{predicted int} |
| | from Equations 10-8, 10-9, or 10-10 | from Section 10.6.2 | from Table 10-5 | (2) _{TOTAL} * (4) | from (5) of Worksheet 2B | | (5)*(6)*(7) |
| Total | 7,679 | 0.11 | 1,000 | 7,679 | 0.67 | 1.00 | 5,174 |
| Fatal and Injury (FI) | -- | -- | 0.340 | 2,611 | 0.67 | 1.00 | 1,759 |
| Property Damage Only (PDO) | -- | -- | 0.660 | 5,068 | 0.67 | 1.00 | 3,415 |

| Worksheet 2D -- Crashes by Severity Level and Collision Type for Rural Two-Lane Two-Way Road Intersections | | | | | | |
|--|---|---|--|--|---|---|
| (1) | (2) | (3) | (4) | (5) | (6) | (7) |
| Collision Type | Proportion of Collision Type _{TOTAL} | N _{predicted int (TOTAL)} (crashes/year) | Proportion of Collision Type _{FI} | N _{predicted int (FI)} (crashes/year) | Proportion of Collision Type _{PDO} | N _{predicted int (PDO)} (crashes/year) |
| | from Table 10-6 | (8) _{TOTAL} from Worksheet 2C | from Table 10-6 | (8) _{FI} from Worksheet 2C | from Table 10-6 | (8) _{PDO} from Worksheet 2C |
| Total | 1.000 | 5,174 | 1.000 | 1,759 | 1.000 | 3,415 |
| | | (2)x(3) _{TOTAL} | | (4)x(5) _{FI} | | (6)x(7) _{PDO} |
| SINGLE-VEHICLE | | | | | | |
| Collision with animal | 0.002 | 0.010 | 0.000 | 0.000 | 0.003 | 0.010 |
| Collision with bicycle | 0.001 | 0.005 | 0.001 | 0.002 | 0.001 | 0.003 |
| Collision with pedestrian | 0.001 | 0.005 | 0.001 | 0.002 | 0.001 | 0.003 |
| Overturned | 0.003 | 0.016 | 0.003 | 0.005 | 0.003 | 0.010 |
| Ran off road | 0.064 | 0.331 | 0.032 | 0.056 | 0.081 | 0.277 |
| Other single-vehicle collision | 0.005 | 0.026 | 0.003 | 0.005 | 0.018 | 0.061 |
| Total single-vehicle crashes | 0.076 | 0.393 | 0.040 | 0.070 | 0.107 | 0.365 |
| MULTIPLE-VEHICLE | | | | | | |
| Angle collision | 0.274 | 1.418 | 0.336 | 0.591 | 0.242 | 0.826 |
| Head-on collision | 0.054 | 0.279 | 0.080 | 0.141 | 0.040 | 0.137 |
| Rear-end collision | 0.426 | 2.204 | 0.403 | 0.709 | 0.438 | 1.496 |
| Sideswipe collision | 0.118 | 0.611 | 0.051 | 0.090 | 0.153 | 0.522 |
| Other multiple-vehicle collision | 0.052 | 0.269 | 0.090 | 0.158 | 0.020 | 0.068 |
| Total multiple-vehicle crashes | 0.924 | 4.781 | 0.960 | 1.689 | 0.893 | 3.050 |

| CMF ID: | CMF ID: | CMF ID: | (5) |
|----------------------------|---------|---------|----------------------------|
| Value | Value | Value | Value |
| 9440 | 9440 | 9440 | 9445 |
| 1.066 | 1.066 | 1.066 | 0.756 |
| N _{expected} 0.00 | 0.00 | 4.45 | N _{expected} 3.16 |
| 0.00 | 0.00 | 1.09 | 0.77 |
| 0.00 | 0.00 | 3.36 | 2.38 |

Convert to interchange roundabouts with either a single RAB or a pair; *1-2 lanes

Convert to interchange roundabouts with either a single RAB or a pair; *1-lane

| Worksheet 2E -- Summary Results for Rural Two-Lane Two-Way Road Intersections | | |
|---|--|--|
| (1) | (2) | (3) |
| Crash severity level | Crash Severity Distribution (proportion) | Predicted average crash frequency (crashes / year) |
| | (4) from Worksheet 2C | (8) from Worksheet 2C |
| Total | 1.000 | 5.2 |
| Fatal and Injury (FI) | 0.340 | 1.8 |
| Property Damage Only (PDO) | 0.660 | 3.4 |



OPTION 2

(Roundabout at Tree Farm Road/SOR)

Worksheet 3A -- Predicted and Observed Crashes by Severity and Site Type Using the Site-Specific EB Method

| (1) | (2) | (3) | (4) | (5) | (6) | (7) | (8) |
|--------------------------|--|----------------------|-----------------------|---|-----------------------------|---|--|
| Site type | Predicted average crash frequency (crashes/year) | | | Observed crashes, $N_{observed}$ (crashes/year) | Overdispersion Parameter, k | Weighted adjustment, w Equation A-5 from Part C Appendix | Expected average crash frequency, Equation A-4 from Part C Appendix |
| | $N_{predicted}$ (TOTAL) | $N_{predicted}$ (FI) | $N_{predicted}$ (PDO) | | | | |
| ROADWAY SEGMENTS | | | | | | | |
| Segment 1 | | | | | | | |
| Segment 2 | | | | | | | |
| Segment 3 | | | | | | 1.000 | 0.0 |
| Segment 4 | | | | | | 1.000 | 0.0 |
| Segment 5 | | | | | | 1.000 | 0.0 |
| Segment 6 | | | | | | 1.000 | 0.0 |
| Segment 7 | | | | | | 1.000 | 0.0 |
| Segment 8 | | | | | | 1.000 | 0.0 |
| INTERSECTIONS | | | | | | | |
| Intersection 1 | 1.286 | 0.554 | 0.732 | | 0.240 | 0.764 | 1.0 |
| Intersection 2 | 2.713 | 1.169 | 1.544 | | 0.240 | 0.606 | 1.6 |
| Intersection 3 | 3.653 | 1.574 | 2.079 | | 0.240 | 0.533 | 1.9 |
| Intersection 4 | 3.180 | 1.081 | 2.099 | | 0.110 | 0.741 | 2.4 |
| Intersection 5 | | | | | | 1.000 | 0.0 |
| Intersection 6 | | | | | | 1.000 | 0.0 |
| Intersection 7 | | | | | | 1.000 | 0.0 |
| Intersection 8 | | | | | | 1.000 | 0.0 |
| COMBINED (sum of column) | 10.832 | 4.379 | 6.453 | 0 | -- | -- | 6.9 |

Worksheet 3B -- Site-Specific EB Method Summary Results

| (1) | (2) | (3) |
|----------------------------|---|---|
| Crash severity level | $N_{predicted}$ | $N_{expected}$ |
| Total | (2) _{COMB} from Worksheet 3A 10.832 | (8) _{COMB} from Worksheet 3A 6.9 |
| Fatal and Injury (FI) | (3) _{COMB} from Worksheet 3A 4.379 | (3) _{TOTAL} * (2) _{FI} / (2) _{TOTAL} 2.8 |
| Property Damage Only (PDO) | (4) _{COMB} from Worksheet 3A 6.453 | (3) _{TOTAL} * (2) _{PDO} / (2) _{TOTAL} 4.1 |

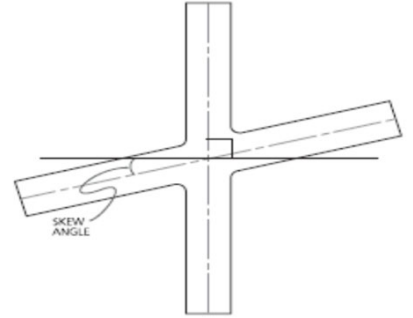
Worksheet 2A -- General Information and Input Data for Rural Two-Lane Two-Way Roadway Intersections

| General Information | | Location Information | |
|--|--|----------------------|---|
| Analyst | CAF | Roadway | MO Route 19 |
| Agency or Company | T2 | Intersection | Route 19 at Tree Farm Road/SOR |
| Date Performed | 08/08/19 | Jurisdiction | Montgomery County, MO |
| | | Analysis Year | 2041 |
| Input Data | | Base Conditions | Site Conditions |
| Intersection type (3ST, 4ST, 4SG) | | -- | 4ST |
| AADT _{major} (veh/day) | AADT _{MAX} = 14,700 (veh/day) | -- | 6,000 |
| AADT _{minor} (veh/day) | AADT _{MAX} = 3,500 (veh/day) | -- | 3,220 |
| Intersection skew angle (degrees) [If 4ST, does skew differ for minor legs?] | No | 0 | Skew for Leg 1 (All): 0 Skew for Leg 2 (4ST only): 0 |
| Number of signalized or uncontrolled approaches with a left-turn lane (0, 1, 2, 3, 4) | | 0 | 0 |
| Number of signalized or uncontrolled approaches with a right-turn lane (0, 1, 2, 3, 4) | | 0 | 0 |
| Intersection lighting (present/not present) | | Not Present | Present |
| Calibration Factor, C _i | | 1.00 | 1.00 |

Unsignalized four-leg (stop control on minor-road approaches)

AADT OK
AADT OK

Skew Intersection:



Worksheet 2B -- Crash Modification Factors for Rural Two-Lane Two-Way Roadway Intersections

| (1) CMF for Intersection Skew Angle CMF _{s1} from Equations 10-22 or 10-23 | (2) CMF for Left-Turn Lanes CMF _{2l} from Table 10-13 | (3) CMF for Right-Turn Lanes CMF _{2r} from Table 10-14 | (4) CMF for Lighting CMF _{4l} from Equation 10-24 | (5) Combined CMF CMF _{COMB} (1)*(2)*(3)*(4)*(5) |
|--|---|--|---|---|
| 1.00 | 1.00 | 1.00 | 0.91 | 0.26 |

Worksheet 2C -- Intersection Crashes for Rural Two-Lane Two-Way Roadway Intersections

| (1) Crash Severity Level | (2) N _{adj 3ST, 4ST or 4SG} from Equations 10-8, 10-9, or 10-10 | (3) Overdispersion Parameter, k from Section 10.6.2 | (4) Crash Severity Distribution from Table 10-5 | (5) N _{adj 3ST, 4ST or 4SG by Severity Distribution} (2) _{TOTAL} * (4) | (6) Combined CMFs from (5) of Worksheet 2B | (7) Calibration Factor, C _i | (8) Predicted average crash frequency, N _{predicted int} (5)*(6)*(7) |
|-----------------------------|--|---|---|--|--|---|---|
| Total | 4.888 | 0.24 | 1.000 | 4.888 | 0.26 | 1.00 | 1.286 |
| Fatal and Injury (FI) | -- | -- | 0.431 | 2.107 | 0.26 | 1.00 | 0.554 |
| Property Damage Only (PDO) | -- | -- | 0.569 | 2.781 | 0.26 | 1.00 | 0.732 |

Worksheet 2D -- Crashes by Severity Level and Collision Type for Rural Two-Lane Two-Way Road Intersections

| (1) Collision Type | (2) Proportion of Collision Type _{TOTAL} from Table 10-6 | (3) N _{predicted int (TOTAL)} (crashes/year) (8) _{TOTAL} from Worksheet 2C | (4) Proportion of Collision Type _{FI} from Table 10-6 | (5) N _{predicted int (FI)} (crashes/year) (8) _{FI} from Worksheet 2C | (6) Proportion of Collision Type _{PDO} from Table 10-6 | (7) N _{predicted int (PDO)} (crashes/year) (8) _{PDO} from Worksheet 2C |
|----------------------------------|---|--|--|--|---|--|
| | | (2)x(3) _{TOTAL} | | (4)x(5) _{FI} | | (6)x(7) _{PDO} |
| SINGLE-VEHICLE | | | | | | |
| Collision with animal | 0.010 | 0.013 | 0.006 | 0.003 | 0.014 | 0.010 |
| Collision with bicycle | 0.001 | 0.001 | 0.001 | 0.001 | 0.001 | 0.001 |
| Collision with pedestrian | 0.001 | 0.001 | 0.001 | 0.001 | 0.001 | 0.001 |
| Overtuned | 0.005 | 0.006 | 0.006 | 0.003 | 0.004 | 0.003 |
| Ran off road | 0.122 | 0.157 | 0.094 | 0.052 | 0.144 | 0.105 |
| Other single-vehicle collision | 0.008 | 0.010 | 0.004 | 0.002 | 0.010 | 0.007 |
| Total single-vehicle crashes | 0.147 | 0.189 | 0.112 | 0.062 | 0.174 | 0.127 |
| MULTIPLE-VEHICLE | | | | | | |
| Angle collision | 0.431 | 0.554 | 0.532 | 0.295 | 0.354 | 0.259 |
| Head-on collision | 0.040 | 0.051 | 0.060 | 0.033 | 0.025 | 0.018 |
| Rear-end collision | 0.242 | 0.311 | 0.210 | 0.116 | 0.266 | 0.195 |
| Sideswipe collision | 0.101 | 0.130 | 0.044 | 0.024 | 0.144 | 0.105 |
| Other multiple-vehicle collision | 0.039 | 0.050 | 0.042 | 0.023 | 0.037 | 0.027 |
| Total multiple-vehicle crashes | 0.853 | 1.097 | 0.888 | 0.492 | 0.826 | 0.604 |

| CMF ID: | CMF ID: | CMF ID: | (5) CMF ID: |
|-----------------------|-----------------------|-----------------------|-----------------------|
| 5229 | 4930 | 4697 | 229 |
| Value | Value | Value | Value |
| 0.659 | 0.751 | 0.32 | 0.29 |
| N _{expected} | N _{expected} | N _{expected} | N _{expected} |
| 2.75 | 3.14 | 1.34 | 1.21 |
| 0.67 | 0.77 | 0.33 | 0.30 |
| 2.08 | 2.37 | 1.01 | 0.91 |

Convert Intersection into high-speed roundabout
 Conversion of high-speed intersection (4-leg) into roundabout
 Convert rural speed intersection (4-leg) to roundabout
 Convert intersection with minor-road stop control to modern roundabout

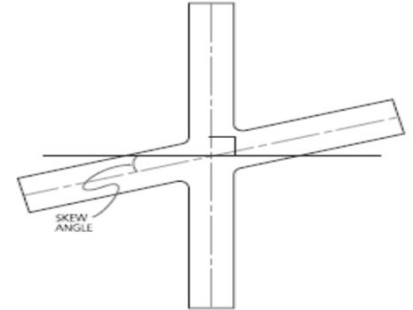
Worksheet 2E -- Summary Results for Rural Two-Lane Two-Way Road Intersections

| (1) Crash severity level | (2) Crash Severity Distribution (proportion) (4) from Worksheet 2C | (3) Predicted average crash frequency (crashes / year) (8) from Worksheet 2C |
|-----------------------------|--|--|
| Total | 1.000 | 1.3 |
| Fatal and Injury (FI) | 0.431 | 0.6 |
| Property Damage Only (PDO) | 0.569 | 0.7 |

Worksheet 2A -- General Information and Input Data for Rural Two-Lane Two-Way Roadway Intersections

| General Information | | Location Information | |
|--|--|----------------------|---|
| Analyst | CAF | Roadway | MO Route 19 |
| Agency or Company | T2 | Intersection | Route 19 at I-70 EB Ramp Terminals |
| Date Performed | 08/08/19 | Jurisdiction | Montgomery County, MO |
| | | Analysis Year | 2041 |
| Input Data | | Base Conditions | Site Conditions |
| Intersection type (3ST, 4ST, 4SG) | | -- | 4ST |
| AADT _{major} (veh/day) | AADT _{MAX} = 14,700 (veh/day) | -- | 9,100 |
| AADT _{minor} (veh/day) | AADT _{MAX} = 3,500 (veh/day) | -- | 1,800 |
| Intersection skew angle (degrees) [If 4ST, does skew differ for minor legs?] | No | 0 | Skew for Leg 1 (All): 45 Skew for Leg 2 (4ST only): 30 |
| Number of signalized or uncontrolled approaches with a left-turn lane (0, 1, 2, 3, 4) | | 0 | 1 |
| Number of signalized or uncontrolled approaches with a right-turn lane (0, 1, 2, 3, 4) | | 0 | 2 |
| Intersection lighting (present/not present) | | Not Present | Present |
| Calibration Factor, C _i | | 1.00 | 1.00 |

Unsignalized four-leg (stop control on minor-road approaches)
 AADT OK
 AADT OK
 Skew Intersection:



Worksheet 2B -- Crash Modification Factors for Rural Two-Lane Two-Way Roadway Intersections

| (1) CMF for Intersection Skew Angle CMF _{s1} from Equations 10-22 or 10-23 | (2) CMF for Left-Turn Lanes CMF _{2i} from Table 10-13 | (3) CMF for Right-Turn Lanes CMF _{3i} from Table 10-14 | (4) CMF for Lighting CMF _{4i} from Equation 10-24 | (5) Combined CMF CMF _{COMB} (1)*(2)*(3)*(4) |
|--|---|--|---|---|
| 1.28 | 0.72 | 0.74 | 0.91 | 0.62 |

Worksheet 2C -- Intersection Crashes for Rural Two-Lane Two-Way Roadway Intersections

| (1) Crash Severity Level | (2) N _{spl 3ST, 4ST or 4SG} | (3) Overdispersion Parameter, k | (4) Crash Severity Distribution | (5) N _{spl 3ST, 4ST or 4SG} by Severity Distribution | (6) Combined CMFs | (7) Calibration Factor, C _i | (8) Predicted average crash frequency, N _{predicted int} |
|-----------------------------|---|------------------------------------|------------------------------------|--|--------------------------|---|--|
| | from Equations 10-8, 10-9, or 10-10 | from Section 10.6.2 | from Table 10-5 | (2) _{TOTAL} * (4) | from (5) of Worksheet 2B | | (5)*(6)*(7) |
| Total | 4.401 | 0.24 | 1.000 | 4.401 | 0.62 | 1.00 | 2.713 |
| Fatal and Injury (FI) | -- | -- | 0.431 | 1.897 | 0.62 | 1.00 | 1.169 |
| Property Damage Only (PDO) | -- | -- | 0.569 | 2.504 | 0.62 | 1.00 | 1.544 |

Worksheet 2D -- Crashes by Severity Level and Collision Type for Rural Two-Lane Two-Way Road Intersections

| (1) Collision Type | (2) Proportion of Collision Type _{TOTAL} | (3) N _{predicted int (TOTAL)} (crashes/year) | (4) Proportion of Collision Type _{FI} | (5) N _{predicted int (FI)} (crashes/year) | (6) Proportion of Collision Type _{PDO} | (7) N _{predicted int (PDO)} (crashes/year) |
|----------------------------------|--|--|---|---|--|--|
| | from Table 10-6 | (8) _{TOTAL} from Worksheet 2C | from Table 10-6 | (8) _{FI} from Worksheet 2C | from Table 10-6 | (8) _{PDO} from Worksheet 2C |
| Total | 1.000 | 2.713 | 1.000 | 1.169 | 1.000 | 1.544 |
| | | (2)x(3) _{TOTAL} | | (4)x(5) _{FI} | | (6)x(7) _{PDO} |
| SINGLE-VEHICLE | | | | | | |
| Collision with animal | 0.010 | 0.027 | 0.006 | 0.007 | 0.014 | 0.022 |
| Collision with bicycle | 0.001 | 0.003 | 0.001 | 0.001 | 0.001 | 0.002 |
| Collision with pedestrian | 0.001 | 0.003 | 0.001 | 0.001 | 0.001 | 0.002 |
| Overturned | 0.005 | 0.014 | 0.006 | 0.007 | 0.004 | 0.006 |
| Ran off road | 0.122 | 0.331 | 0.094 | 0.110 | 0.144 | 0.222 |
| Other single-vehicle collision | 0.008 | 0.022 | 0.004 | 0.005 | 0.010 | 0.015 |
| Total single-vehicle crashes | 0.147 | 0.399 | 0.112 | 0.131 | 0.174 | 0.269 |
| MULTIPLE-VEHICLE | | | | | | |
| Angle collision | 0.431 | 1.169 | 0.532 | 0.622 | 0.354 | 0.546 |
| Head-on collision | 0.040 | 0.109 | 0.060 | 0.070 | 0.025 | 0.039 |
| Rear-end collision | 0.242 | 0.657 | 0.210 | 0.246 | 0.266 | 0.411 |
| Sideswipe collision | 0.101 | 0.274 | 0.044 | 0.051 | 0.144 | 0.222 |
| Other multiple-vehicle collision | 0.039 | 0.106 | 0.042 | 0.049 | 0.037 | 0.057 |
| Total multiple-vehicle crashes | 0.853 | 2.314 | 0.888 | 1.038 | 0.826 | 1.275 |

Worksheet 2E -- Summary Results for Rural Two-Lane Two-Way Road Intersections

| (1) Crash severity level | (2) Crash Severity Distribution (proportion) | (3) Predicted average crash frequency (crashes / year) |
|-----------------------------|---|---|
| | (4) from Worksheet 2C | (8) from Worksheet 2C |
| Total | 1.000 | 2.7 |
| Fatal and Injury (FI) | 0.431 | 1.2 |
| Property Damage Only (PDO) | 0.569 | 1.5 |

Worksheet 2A -- General Information and Input Data for Rural Two-Lane Two-Way Roadway Intersections

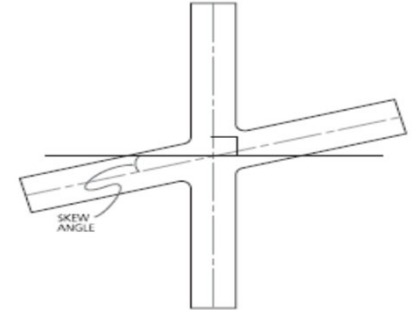
| General Information | | Location Information | |
|--|--|----------------------|---|
| Analyst | CAF | Roadway | MO Route 19 |
| Agency or Company | T2 | Intersection | Route 19 at I-70 WB Ramp Terminals |
| Date Performed | 08/08/19 | Jurisdiction | Montgomery County, MO |
| | | Analysis Year | 2041 |
| Input Data | | Base Conditions | Site Conditions |
| Intersection type (3ST, 4ST, 4SG) | | -- | 4ST |
| AADT _{major} (veh/day) | AADT _{MAX} = 14,700 (veh/day) | -- | 7,600 |
| AADT _{minor} (veh/day) | AADT _{MAX} = 3,500 (veh/day) | -- | 3,500 |
| Intersection skew angle (degrees) [If 4ST, does skew differ for minor legs?] | No | 0 | Skew for Leg 1 (All): 45 Skew for Leg 2 (4ST only): 30 |
| Number of signalized or uncontrolled approaches with a left-turn lane (0, 1, 2, 3, 4) | | 0 | 1 |
| Number of signalized or uncontrolled approaches with a right-turn lane (0, 1, 2, 3, 4) | | 0 | 2 |
| Intersection lighting (present/not present) | | Not Present | Present |
| Calibration Factor, C _i | | 1.00 | 1.00 |

Unsignalized four-leg (stop control on minor-road approaches)

AADT OK

AADT OK

Skew Intersection:



Worksheet 2B -- Crash Modification Factors for Rural Two-Lane Two-Way Roadway Intersections

| (1) CMF for Intersection Skew Angle CMF _{s1} from Equations 10-22 or 10-23 | (2) CMF for Left-Turn Lanes CMF _{2l} from Table 10-13 | (3) CMF for Right-Turn Lanes CMF _{3r} from Table 10-14 | (4) CMF for Lighting CMF _{4l} from Equation 10-24 | (5) Combined CMF CMF _{COMB} (1)*(2)*(3)*(4) |
|--|---|--|---|---|
| 1.28 | 0.72 | 0.74 | 0.91 | 0.62 |

Worksheet 2C -- Intersection Crashes for Rural Two-Lane Two-Way Roadway Intersections

| (1) Crash Severity Level | (2) N _{spl 3ST, 4ST or 4SG} from Equations 10-8, 10-9, or 10-10 | (3) Overdispersion Parameter, k from Section 10.6.2 | (4) Crash Severity Distribution from Table 10-5 | (5) N _{spl 3ST, 4ST or 4SG} by Severity Distribution (2) _{TOTAL} * (4) | (6) Combined CMFs from (5) of Worksheet 2B | (7) Calibration Factor, C _i | (8) Predicted average crash frequency, N _{predicted int} (5)*(6)*(7) |
|-----------------------------|--|---|---|--|--|---|---|
| Total | 5.927 | 0.24 | 1.000 | 5.927 | 0.62 | 1.00 | 3.653 |
| Fatal and Injury (FI) | -- | -- | 0.431 | 2.554 | 0.62 | 1.00 | 1.574 |
| Property Damage Only (PDO) | -- | -- | 0.569 | 3.372 | 0.62 | 1.00 | 2.079 |

Worksheet 2D -- Crashes by Severity Level and Collision Type for Rural Two-Lane Two-Way Road Intersections

| (1) Collision Type | (2) Proportion of Collision Type _{TOTAL} from Table 10-6 | (3) N _{predicted int (TOTAL)} (crashes/year) | (4) Proportion of Collision Type _{FI} from Table 10-6 | (5) N _{predicted int (FI)} (crashes/year) | (6) Proportion of Collision Type _{PDO} from Table 10-6 | (7) N _{predicted int (PDO)} (crashes/year) |
|----------------------------------|---|--|--|---|---|--|
| | | (8) _{TOTAL} from Worksheet 2C | | (8) _{FI} from Worksheet 2C | | (8) _{PDO} from Worksheet 2C |
| Total | 1.000 | 3.653 | 1.000 | 1.574 | 1.000 | 2.079 |
| | | (2)x(3) _{TOTAL} | | (4)x(5) _{FI} | | (6)x(7) _{PDO} |
| SINGLE-VEHICLE | | | | | | |
| Collision with animal | 0.010 | 0.037 | 0.006 | 0.009 | 0.014 | 0.029 |
| Collision with bicycle | 0.001 | 0.004 | 0.001 | 0.002 | 0.001 | 0.002 |
| Collision with pedestrian | 0.001 | 0.004 | 0.001 | 0.002 | 0.001 | 0.002 |
| Overturned | 0.005 | 0.018 | 0.006 | 0.009 | 0.004 | 0.008 |
| Ran off road | 0.122 | 0.446 | 0.094 | 0.148 | 0.144 | 0.299 |
| Other single-vehicle collision | 0.008 | 0.029 | 0.004 | 0.006 | 0.010 | 0.021 |
| Total single-vehicle crashes | 0.147 | 0.537 | 0.112 | 0.176 | 0.174 | 0.362 |
| MULTIPLE-VEHICLE | | | | | | |
| Angle collision | 0.431 | 1.574 | 0.532 | 0.838 | 0.354 | 0.736 |
| Head-on collision | 0.040 | 0.146 | 0.060 | 0.094 | 0.025 | 0.052 |
| Rear-end collision | 0.242 | 0.884 | 0.210 | 0.331 | 0.266 | 0.553 |
| Sideswipe collision | 0.101 | 0.369 | 0.044 | 0.069 | 0.144 | 0.299 |
| Other multiple-vehicle collision | 0.039 | 0.142 | 0.042 | 0.066 | 0.037 | 0.077 |
| Total multiple-vehicle crashes | 0.853 | 3.116 | 0.888 | 1.398 | 0.826 | 1.717 |

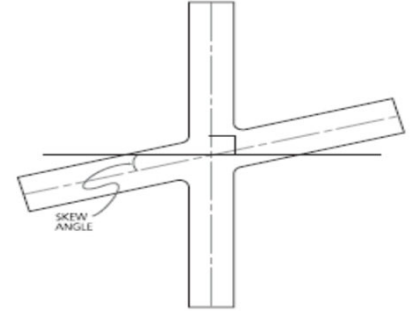
Worksheet 2E -- Summary Results for Rural Two-Lane Two-Way Road Intersections

| (1) Crash severity level | (2) Crash Severity Distribution (proportion) (4) from Worksheet 2C | (3) Predicted average crash frequency (crashes / year) (8) from Worksheet 2C |
|-----------------------------|--|--|
| Total | 1.000 | 3.7 |
| Fatal and Injury (FI) | 0.431 | 1.6 |
| Property Damage Only (PDO) | 0.569 | 2.1 |

Worksheet 2A -- General Information and Input Data for Rural Two-Lane Two-Way Roadway Intersections

| General Information | | Location Information | |
|--|--|----------------------|--|
| Analyst | CAF | Roadway | MO Route 19 |
| Agency or Company | T2 | Intersection | Route 19 at Booneslick Rd/NOR |
| Date Performed | 08/08/19 | Jurisdiction | Montgomery County, MO |
| | | Analysis Year | 2041 |
| Input Data | | Base Conditions | Site Conditions |
| Intersection type (3ST, 4ST, 4SG) | | -- | 4SG |
| AADT _{major} (veh/day) | AADT _{MAX} = 25,200 (veh/day) | -- | 8,000 |
| AADT _{minor} (veh/day) | AADT _{MAX} = 12,500 (veh/day) | -- | 2,600 |
| Intersection skew angle (degrees) [If 4ST, does skew differ for minor legs?] | Yes | 0 | Skew for Leg 1 (All): 10 Skew for Leg 2 (4ST only): 0 |
| Number of signalized or uncontrolled approaches with a left-turn lane (0, 1, 2, 3, 4) | | 0 | 2 |
| Number of signalized or uncontrolled approaches with a right-turn lane (0, 1, 2, 3, 4) | | 0 | 4 |
| Intersection lighting (present/not present) | | Not Present | Present |
| Calibration Factor, C _i | | 1.00 | 1.00 |

Signalized four-leg
AADT OK
AADT OK
Skew Intersection:



Worksheet 2B -- Crash Modification Factors for Rural Two-Lane Two-Way Roadway Intersections

| (1) CMF for Intersection Skew Angle CMF _{s1} from Equations 10-22 or 10-23 | (2) CMF for Left-Turn Lanes CMF _{2i} from Table 10-13 | (3) CMF for Right-Turn Lanes CMF _{3i} from Table 10-14 | (4) CMF for Lighting CMF _{4i} from Equation 10-24 | (5) Combined CMF CMF _{COMB} (1)*(2)*(3)*(4) |
|--|---|--|---|---|
| 1.00 | 0.67 | 0.85 | 0.89 | 0.51 |

Worksheet 2C -- Intersection Crashes for Rural Two-Lane Two-Way Roadway Intersections

| (1) Crash Severity Level | (2) N _{spl 3ST, 4ST or 4SG} | (3) Overdispersion Parameter, k | (4) Crash Severity Distribution | (5) N _{spl 3ST, 4ST or 4SG} by Severity Distribution | (6) Combined CMFs | (7) Calibration Factor, C _i | (8) Predicted average crash frequency, N _{predicted int} |
|-----------------------------|---|------------------------------------|------------------------------------|--|--------------------------|---|--|
| | from Equations 10-8, 10-9, or 10-10 | from Section 10.6.2 | from Table 10-5 | (2) _{TOTAL} * (4) | from (5) of Worksheet 2B | | (5)*(6)*(7) |
| Total | 6,265 | 0.11 | 1,000 | 6,265 | 0.51 | 1.00 | 3,180 |
| Fatal and Injury (FI) | -- | -- | 0.340 | 2,130 | 0.51 | 1.00 | 1,081 |
| Property Damage Only (PDO) | -- | -- | 0.660 | 4,135 | 0.51 | 1.00 | 2,099 |

Worksheet 2D -- Crashes by Severity Level and Collision Type for Rural Two-Lane Two-Way Road Intersections

| (1) Collision Type | (2) Proportion of Collision Type _{TOTAL} | (3) N _{predicted int (TOTAL)} (crashes/year) | (4) Proportion of Collision Type _{FI} | (5) N _{predicted int (FI)} (crashes/year) | (6) Proportion of Collision Type _{PDO} | (7) N _{predicted int (PDO)} (crashes/year) |
|----------------------------------|--|--|---|---|--|--|
| | from Table 10-6 | (8) _{TOTAL} from Worksheet 2C | from Table 10-6 | (8) _{FI} from Worksheet 2C | from Table 10-6 | (8) _{PDO} from Worksheet 2C |
| Total | 1.000 | 3,180 | 1.000 | 1,081 | 1.000 | 2,099 |
| | | (2)x(3) _{TOTAL} | | (4)x(5) _{FI} | | (6)x(7) _{PDO} |
| SINGLE-VEHICLE | | | | | | |
| Collision with animal | 0.002 | 0.006 | 0.000 | 0.000 | 0.003 | 0.006 |
| Collision with bicycle | 0.001 | 0.003 | 0.001 | 0.001 | 0.001 | 0.002 |
| Collision with pedestrian | 0.001 | 0.003 | 0.001 | 0.001 | 0.001 | 0.002 |
| Overtuned | 0.003 | 0.010 | 0.003 | 0.003 | 0.003 | 0.006 |
| Ran off road | 0.064 | 0.204 | 0.032 | 0.035 | 0.081 | 0.170 |
| Other single-vehicle collision | 0.005 | 0.016 | 0.003 | 0.003 | 0.018 | 0.038 |
| Total single-vehicle crashes | 0.076 | 0.242 | 0.040 | 0.043 | 0.107 | 0.225 |
| MULTIPLE-VEHICLE | | | | | | |
| Angle collision | 0.274 | 0.871 | 0.336 | 0.363 | 0.242 | 0.508 |
| Head-on collision | 0.054 | 0.172 | 0.080 | 0.086 | 0.040 | 0.084 |
| Rear-end collision | 0.426 | 1.355 | 0.403 | 0.436 | 0.438 | 0.919 |
| Sideswipe collision | 0.118 | 0.375 | 0.051 | 0.055 | 0.153 | 0.321 |
| Other multiple-vehicle collision | 0.052 | 0.165 | 0.090 | 0.097 | 0.020 | 0.042 |
| Total multiple-vehicle crashes | 0.924 | 2,938 | 0.960 | 1,038 | 0.893 | 1,874 |

Worksheet 2E -- Summary Results for Rural Two-Lane Two-Way Road Intersections

| (1) Crash severity level | (2) Crash Severity Distribution (proportion) | (3) Predicted average crash frequency (crashes / year) |
|-----------------------------|---|---|
| | (4) from Worksheet 2C | (8) from Worksheet 2C |
| Total | 1.000 | 3.2 |
| Fatal and Injury (FI) | 0.340 | 1.1 |
| Property Damage Only (PDO) | 0.660 | 2.1 |