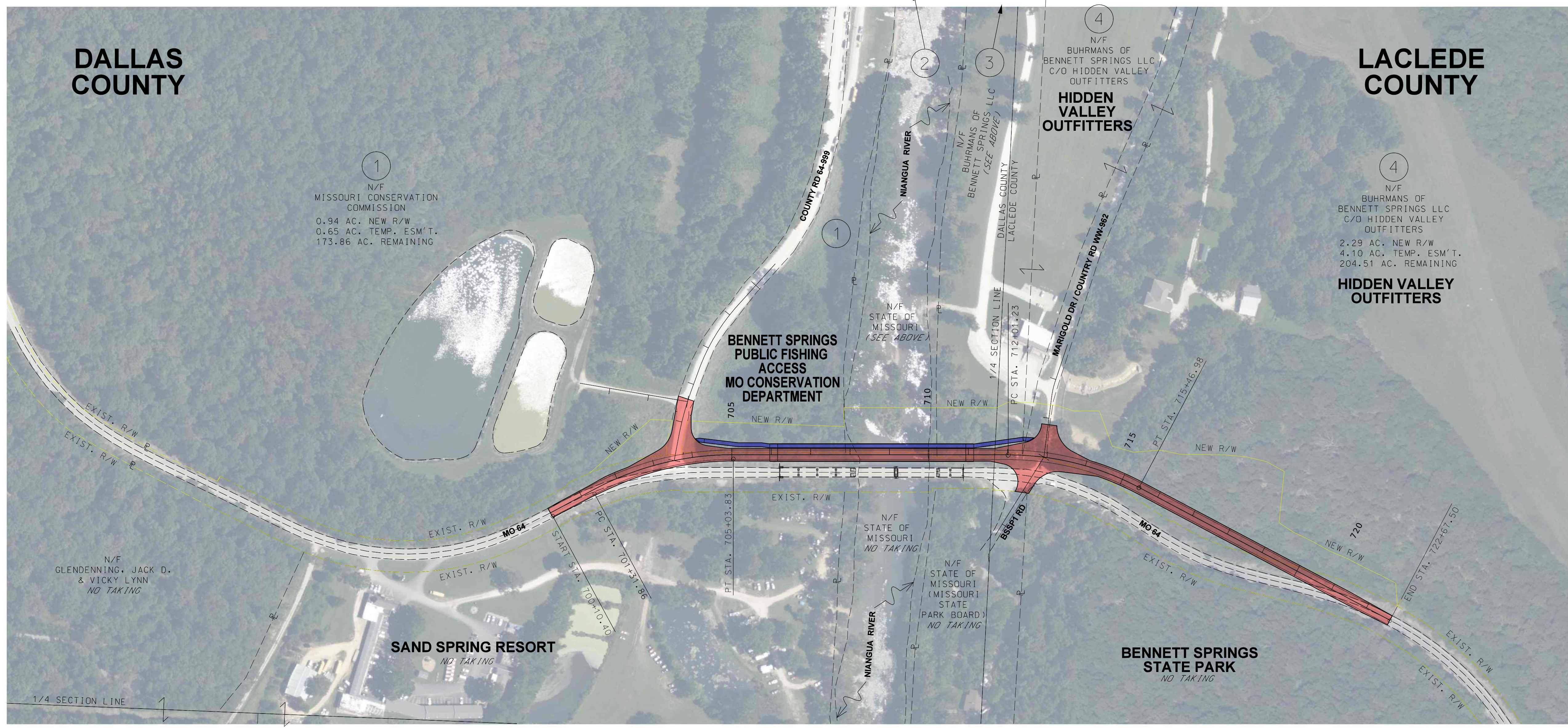
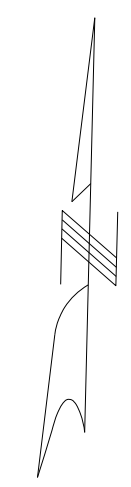
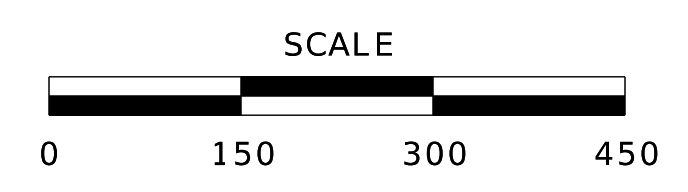


PRELIMINARY PLANS SUBJECT TO CHANGE NOT FOR CONSTRUCTION



- LEGEND**
- PROPOSED ROUTE 64
 - NEW SHARED USE PATH
 - EXIST. RIGHT OF WAY
 - NEW RIGHT OF WAY

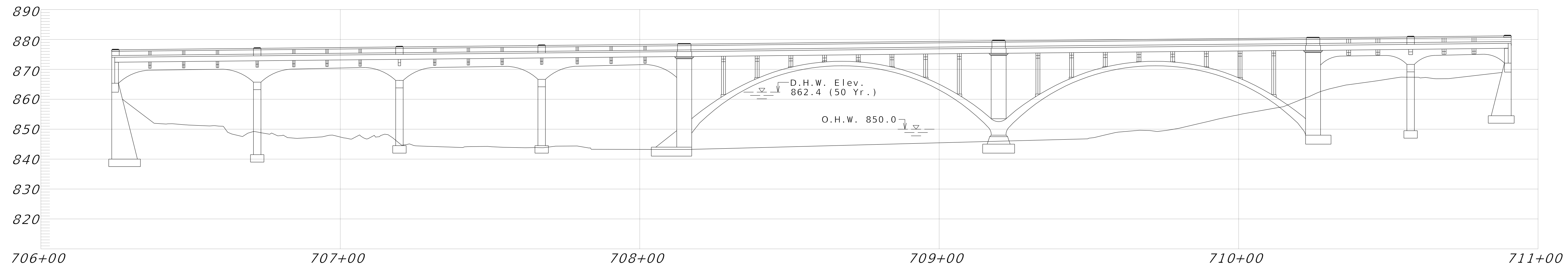


DATE PREPARED	
ROUTE 64	STATE MO
DISTRICT SW	SHEET NO.
COUNTY DALLAS / LACLEDE	
JOB NO. J7P3542	
CONTRACT ID.	
PROJECT NO.	
BRIDGE NO.	
DESCRIPTION	
DATE	
MISSOURI HIGHWAYS AND TRANSPORTATION COMMISSION	 105 WEST CAPITOL JEFFERSON CITY, MO 65102 1-888-ASK-MODOT (1-888-275-6636)

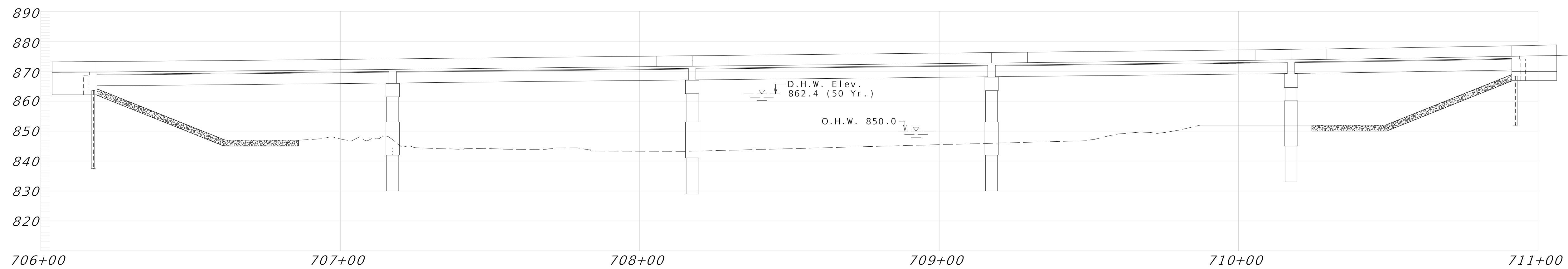
© Copyright Hanson Professional Services Inc. 2023

HANSON
 Hanson Professional Services Inc.
 600 Washington Ave., Suite 950
 Professional Engineer 001632
 www.hanson-inc.com
 314.770.0487

**PRELIMINARY PLANS SUBJECT TO CHANGE
NOT FOR CONSTRUCTION**



EXISTING BRIDGE ELEVATION



PROPOSED BRIDGE ELEVATION

DATE PREPARED

ROUTE 64 STATE MO

DISTRICT SW SHEET NO.

COUNTY DALLAS/LACLEDE

JOB NO. J7P3542

CONTRACT ID.

PROJECT NO.

BRIDGE NO.

DATE	DESCRIPTION

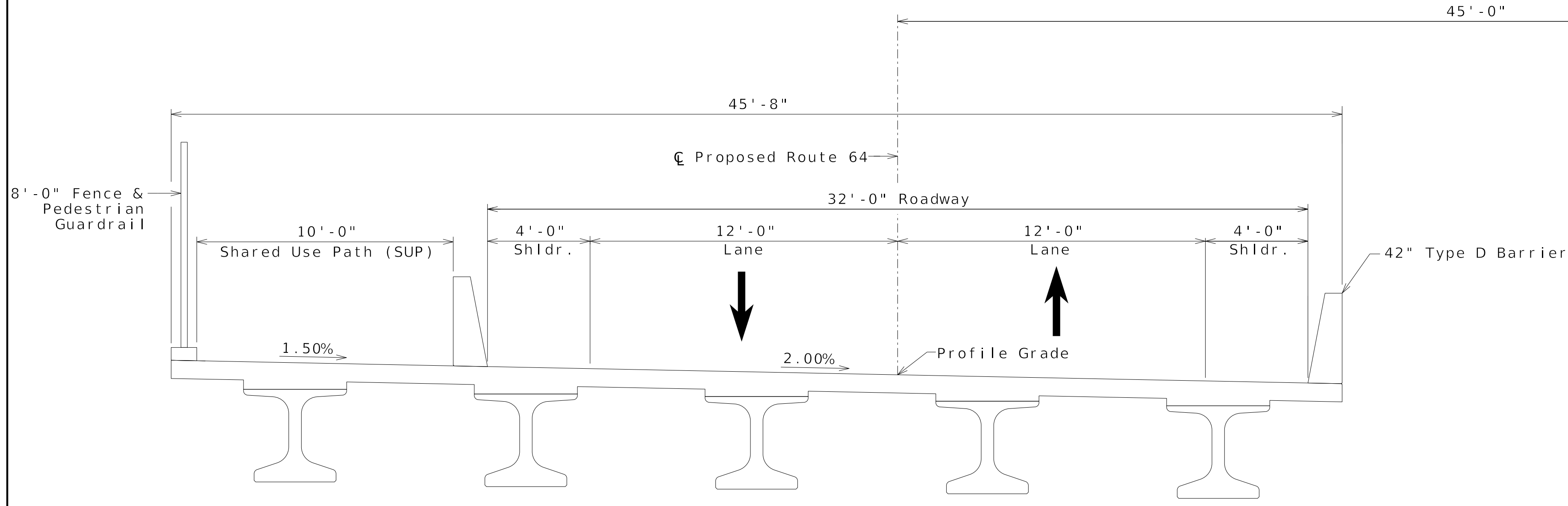
MISSOURI HIGHWAYS AND TRANSPORTATION COMMISSION



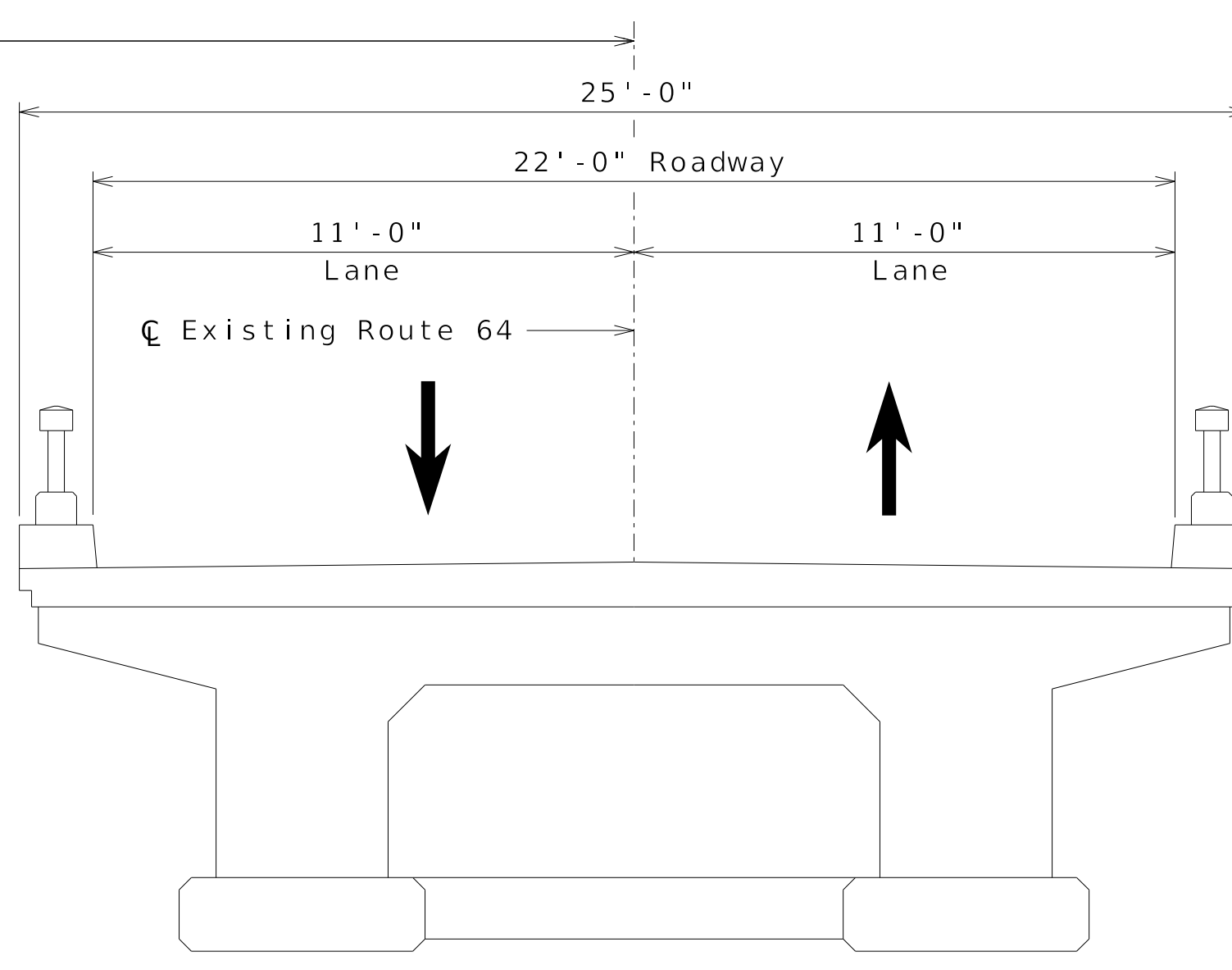
© Copyright Hanson Professional Services Inc. 2023



**PRELIMINARY PLANS SUBJECT TO CHANGE
NOT FOR CONSTRUCTION**



PROPOSED BRIDGE TYPICAL SECTION



EXISTING BRIDGE TYPICAL SECTION

DATE PREPARED	
ROUTE	STATE
64	MO
DISTRICT	SHEET NO.
SW	
COUNTY	
DALLAS/LACLEDE	
JOB NO.	
J7P3542	
CONTRACT ID.	
PROJECT NO.	
BRIDGE NO.	

DESCRIPTION	DATE

MISSOURI HIGHWAYS AND TRANSPORTATION COMMISSION

105 WEST CAPITOL
JEFFERSON CITY, MO 65102
1-888-ASK-MODOT (1-888-275-6636)

© Copyright Hanson Professional Services Inc. 2023

Hanson Professional Services Inc.
600 Washington Ave., Suite 950
St. Louis, MO 63102
Professional Engineer 001632
www.hanson-inc.com
314.770.0467