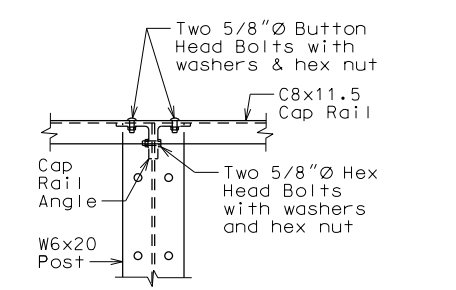
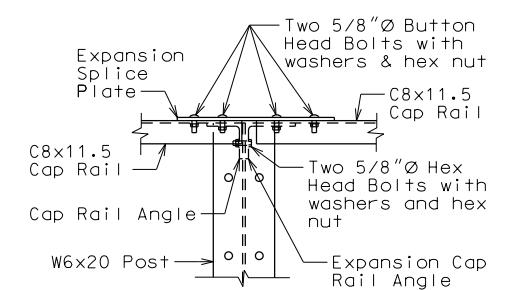


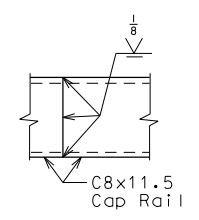
ELEVATION OF TYPICAL SPLICE



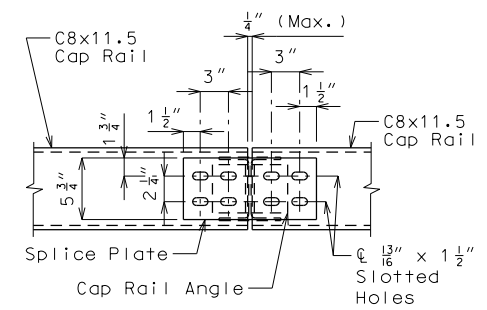
ELEVATION OF RAIL POST CONNECTION



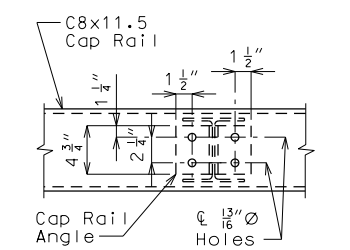
ELEVATION OF EXPANSION SPLICE



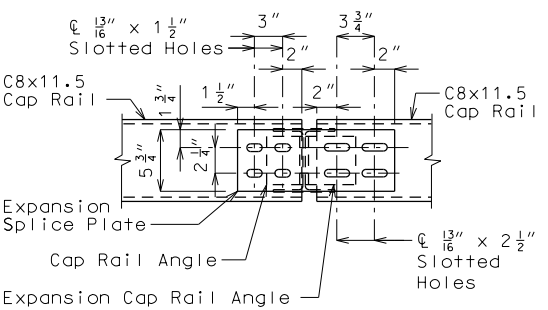
OPTIONAL SPLICE  
One shop or field splice per panel may be provided at any location.



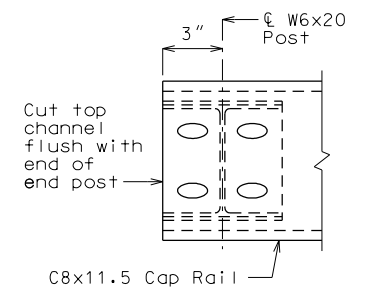
PLAN OF TYPICAL SPLICE  
One shop or field splice per panel may be provided at any location.



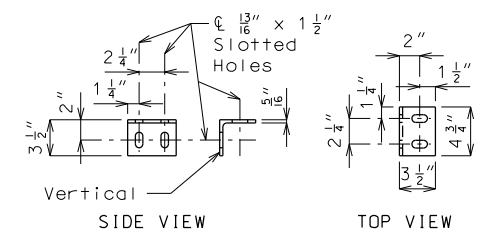
PLAN OF RAIL POST CONNECTION



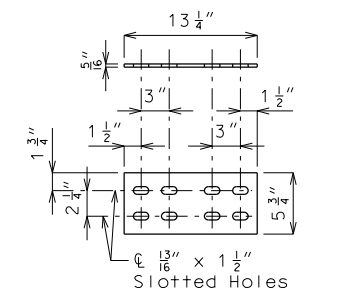
PLAN OF EXPANSION SPLICE  
Expansion slots shall be on the same side of post as the expansion joint.



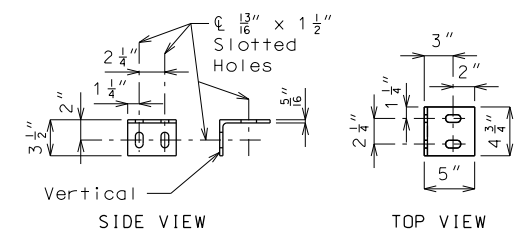
PLAN A-A  
For location of Plan A-A, see Sheet No. \_\_.



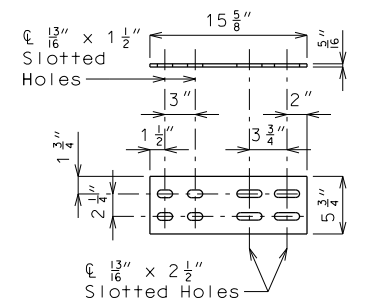
CAP RAIL ANGLE  
L3 1/2 x 3 1/2 x 5/16



SPLICE PLATE



EXPANSION CAP RAIL ANGLE  
L5 x 3 1/2 x 5/16



EXPANSION SPLICE PLATE

"THIS MEDIA SHOULD NOT BE CONSIDERED A CERTIFIED DOCUMENT."

DATE PREPARED 4/16/2018	
ROUTE *	STATE MO
DISTRICT BR	SHEET NO. *
COUNTY *	
JOB NO. *	
CONTRACT ID.	
PROJECT NO.	
BRIDGE NO. THRIE 1B	

DESCRIPTION	DATE

MISSOURI HIGHWAYS AND TRANSPORTATION COMMISSION  
  
 105 WEST CAPITOL  
 JEFFERSON CITY, MO 65102  
 1-888-ASK-MODOT (1-888-275-6636)

IF A SEAL IS PRESENT ON THIS SHEET IT HAS BEEN ELECTRONICALLY SEALED AND DATED.