

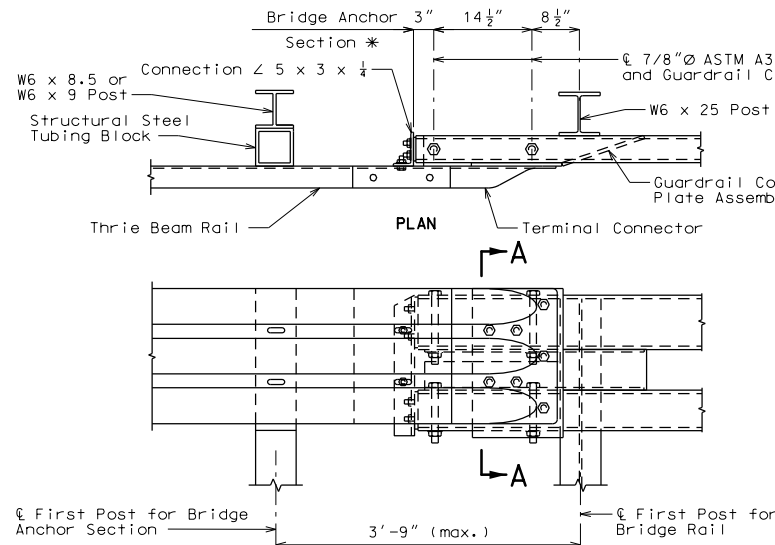
Standard Drawing Guidance (do not show on plans):

① Modify as required.

TL-4 (NCHRP 350) bridge rail is typically used on spread box beam bridges and may be used on adjacent box beam bridges where reinforcement is embedded in the beam.

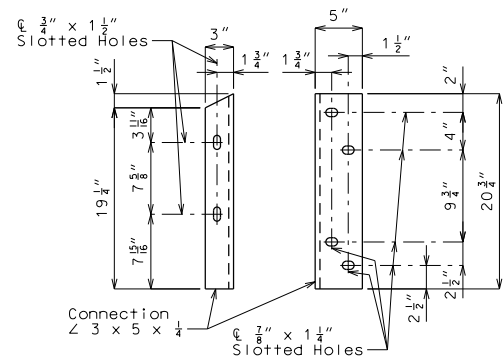
Use only in certain applications because of cost. Acceptable for use when roadway width or site distance is a concern. Curb shall be used to prevent drainage over deck.

TTR2 Effective: July 2020 Supersedes: Feb. 2014



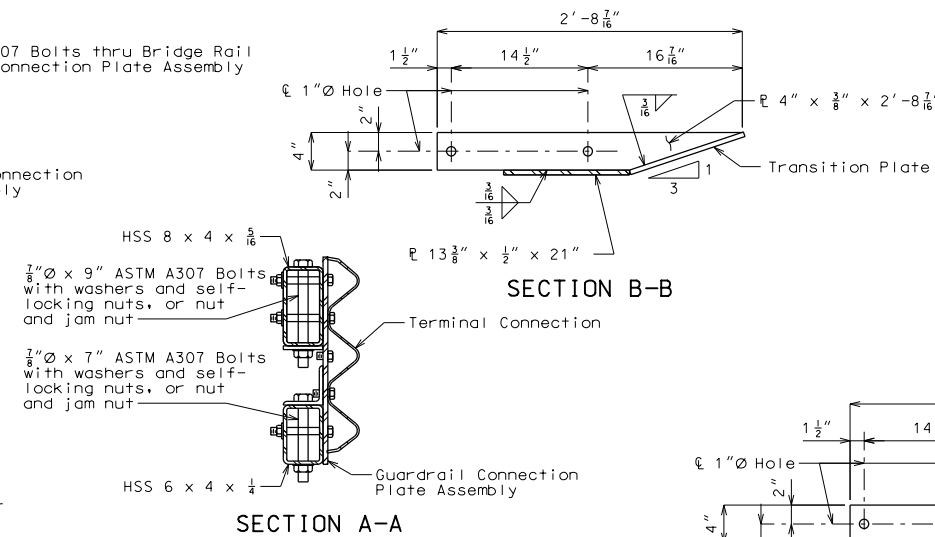
DETAIL A

(Part elevation of bridge anchor section)



CONNECTION ANGLE DETAILS

Install angles to rail caps using 5/8"Ø washers and self-locking nuts, or nuts and jam nuts.



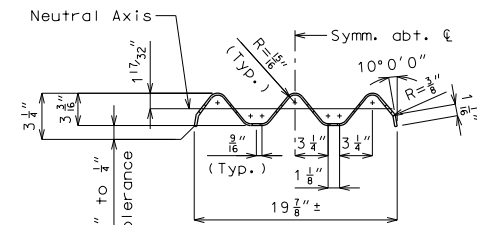
SECTION A-A

SECTION B-B

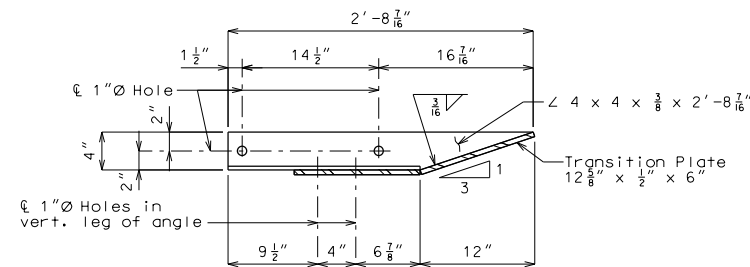
GUARDRAIL CONNECTION PLATE ASSEMBLY DETAILS

(Mirror for opposite end)

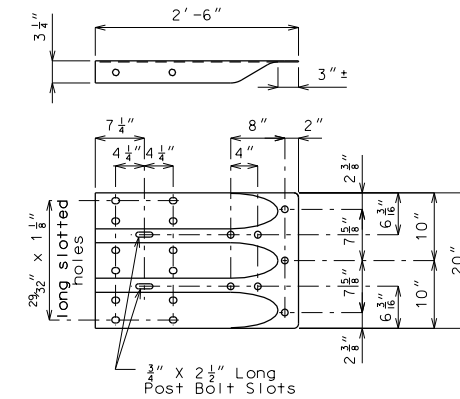
- Drill and tap 3 holes for 7/8"Ø ASTM F3125 Grade A325 Type 1 bolts.
- Four 1"Ø Holes for 7/8"Ø ASTM F3125 Grade A325 Type 1 bolts and nuts



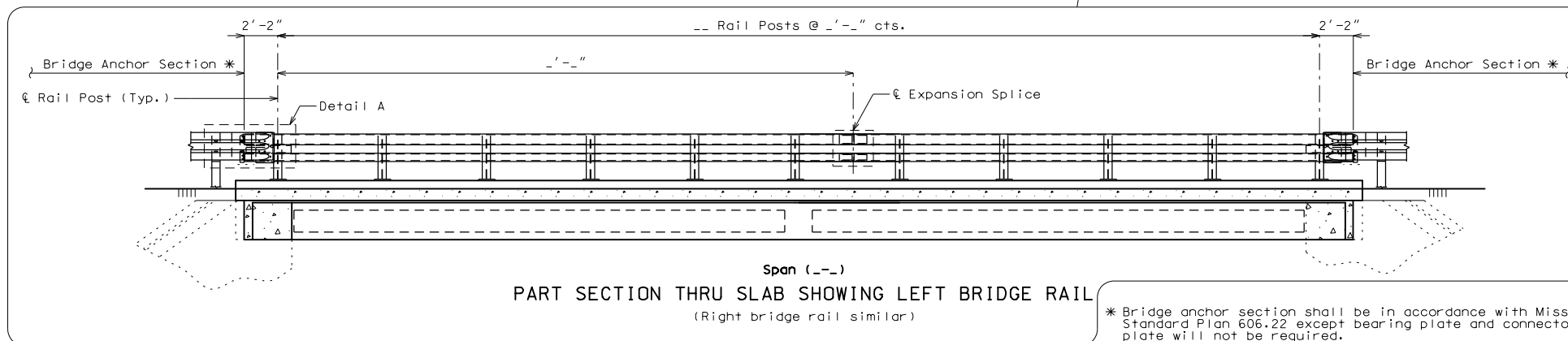
SECTION THRU THRIE BEAM RAIL



SECTION C-C



TERMINAL CONNECTOR



PART SECTION THRU SLAB SHOWING LEFT BRIDGE RAIL

(Right bridge rail similar)

* Bridge anchor section shall be in accordance with Missouri Standard Plan 606.22 except bearing plate and connector plate will not be required.

"THIS MEDIA SHOULD NOT BE CONSIDERED A CERTIFIED DOCUMENT."

DATE PREPARED
7/27/2020

ROUTE * STATE MD

DISTRICT BR SHEET NO. *

COUNTY *

JOB NO. *

CONTRACT ID.

PROJECT NO.

BRIDGE NO.
TTR2

DESCRIPTION	DATE

MISSOURI HIGHWAYS AND TRANSPORTATION COMMISSION

 105 WEST CAPITOL
 JEFFERSON CITY, MO 65102
 1-888-ASK-MODOT (1-888-275-6636)

Detailed Checked

Note: This drawing is not to scale. Follow dimensions.

Sheet No. of

IF A SEAL IS PRESENT ON THIS SHEET IT HAS BEEN ELECTRONICALLY SEALED AND DATED.