

"THIS MEDIA SHOULD NOT BE CONSIDERED A CERTIFIED DOCUMENT."

DATE PREPARED
9/10/2018

ROUTE 571 STATE MO

DISTRICT SW SHEET NO. 3

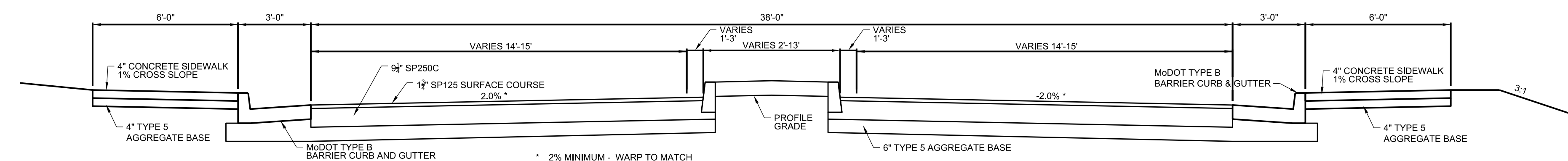
COUNTY JASPER

JOB NO. J7P3-1871

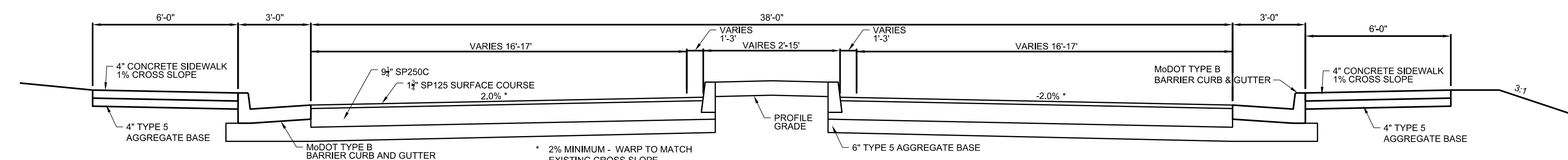
CONTRACT ID.

PROJECT NO.

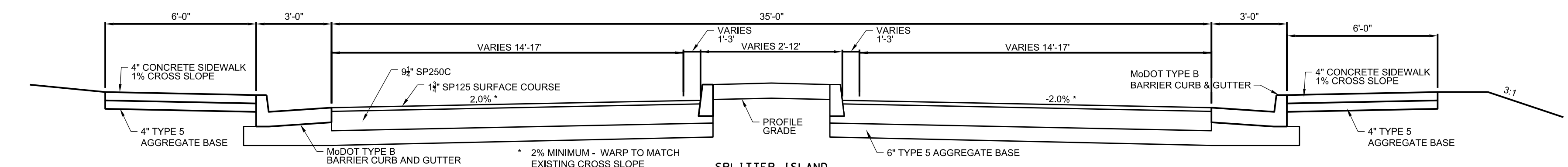
BRIDGE NO.



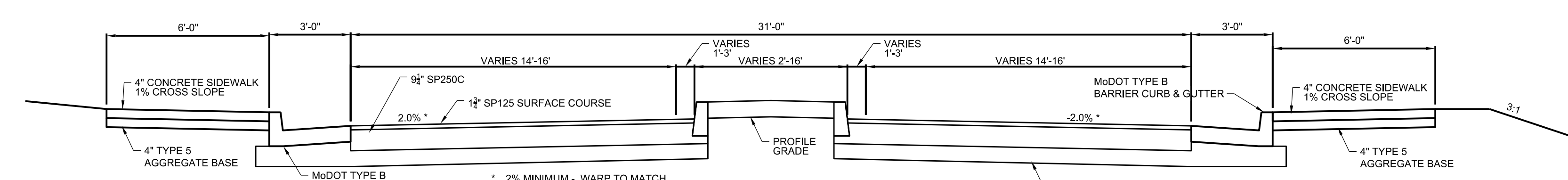
SPLITTER ISLAND
TYPICAL SECTION - RTE. 571
(FAIRLAWN AVE. SOUTH)
STA. 1833+75 TO STA. 1834+13.55



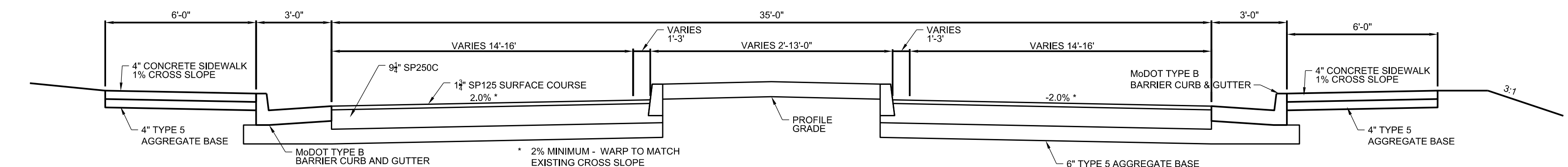
SPLITTER ISLAND
TYPICAL SECTION - RTE. 571
(GARRISON AVE. NORTH)
STA. 1831+47.00 TO STA. 1831+93.60



SPLITTER ISLAND
TYPICAL SECTION - ELK ST. EAST
STA. 3+67.87 TO STA. 4+28.45



SPLITTER ISLAND
TYPICAL SECTION ELK ST. WEST
STA. 1+48.05 TO STA. 1+87.87



SPLITTER ISLAND
TYPICAL SECTION - GARRISON AVE. SOUTH
STA. 1+91.57 TO STA. 2+32.79

DESCRIPTION	DATE

MISSOURI HIGHWAYS AND TRANSPORTATION COMMISSION

105 WEST CAPITOL
JEFFERSON CITY, MO 65102
1-888-ASK-MODOT (1-888-273-6636)

ANDERSON ENGINEERING
EMPLOYEE OWNED

ENGINEERS • SURVEYORS • LABORATORIES • DRILLING
218 5TH. P. O. BOX 288 • MOONETT, MISSOURI 65708 • PHONE (417) 238-0112
ANDERSON.COM 000927-ANDERENGRANT.PDF 2018/07/16/17

IF A SEAL IS PRESENT ON THIS SHEET IT HAS BEEN ELECTRONICALLY SEALED AND DATED.