

"THIS MEDIA SHOULD NOT BE CONSIDERED A CERTIFIED DOCUMENT."

DATE PREPARED  
9/10/2018

ROUTE 571 STATE MO

DISTRICT SW SHEET NO. 2

COUNTY JASPER

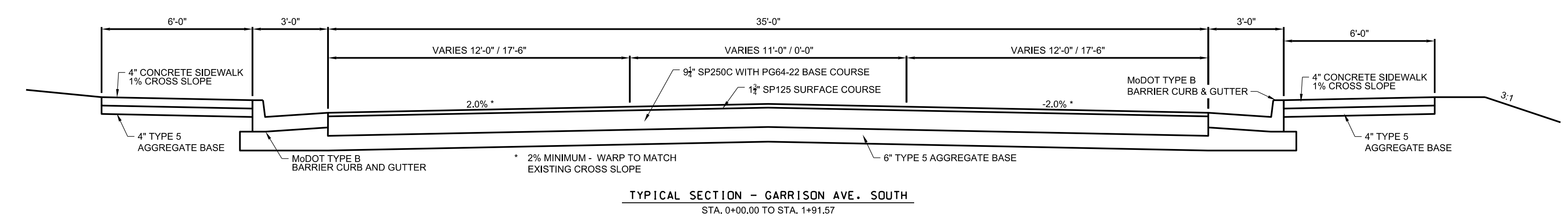
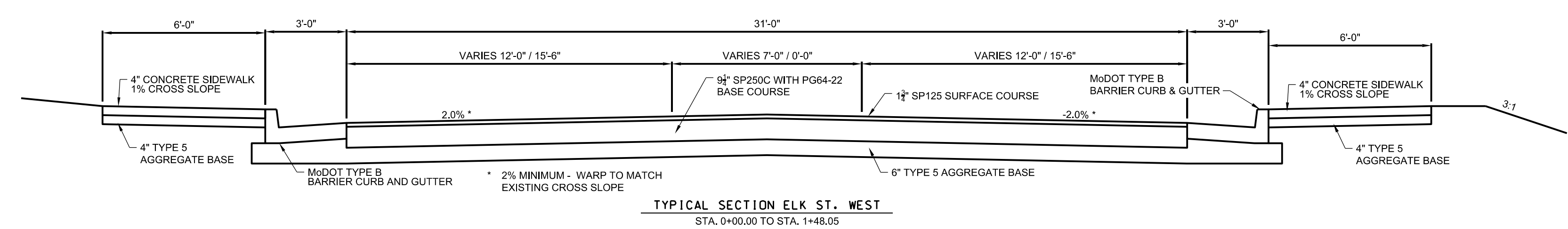
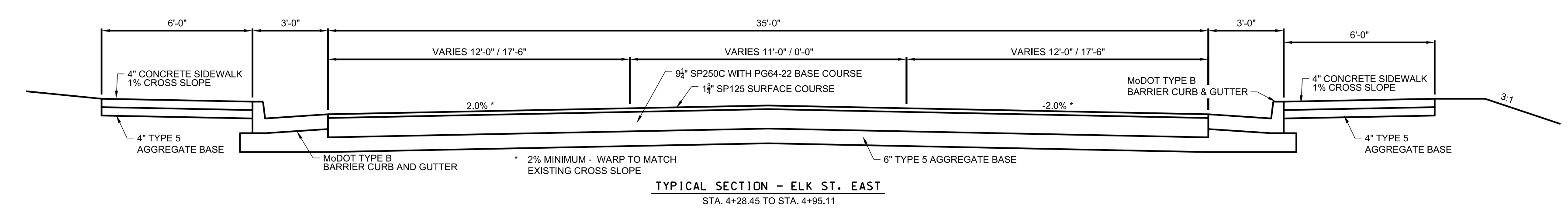
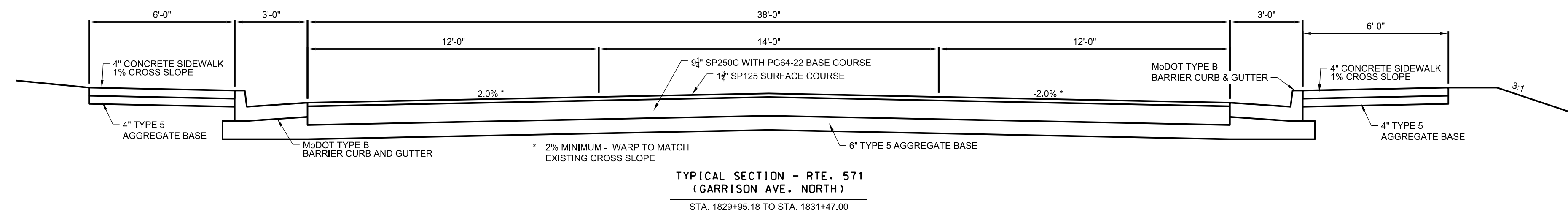
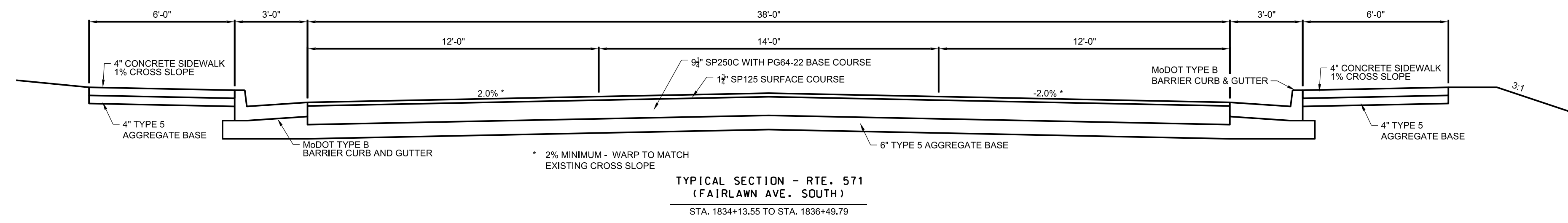
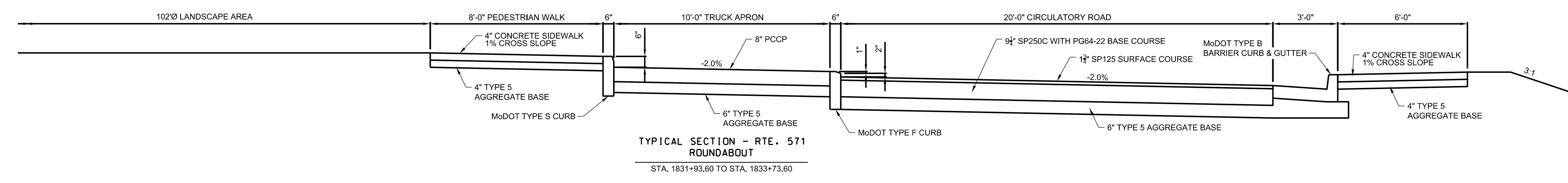
JOB NO. J7P3-1871

CONTRACT ID.

PROJECT NO.

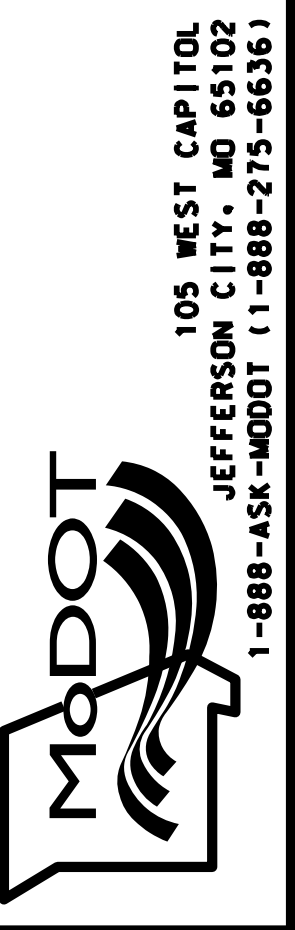
BRIDGE NO.

DESCRIPTION	DATE

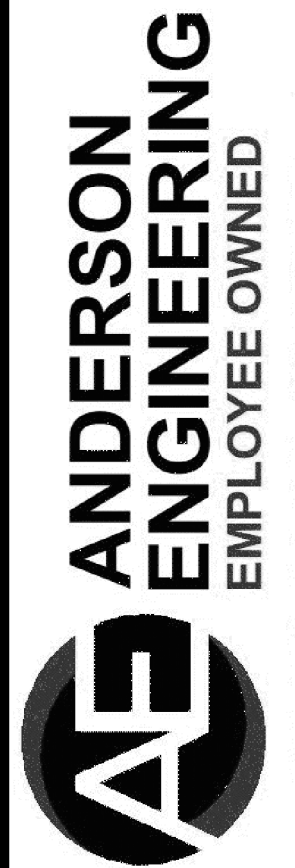


TYPICAL SECTIONS  
SHEET 1 OF 2

MISSOURI HIGHWAYS AND TRANSPORTATION COMMISSION



105 WEST CAPITOL  
JEFFERSON CITY, MO 65102  
1-888-ASK-MODOT (1-888-273-6636)



ANDERSON ENGINEERING  
EMPLOYEE OWNED  
ENGINEERS • SURVEYORS • LABORATORIES • DRILLING  
218 5TH ST. P.O. BOX 288 • MONETT, MISSOURI 65708 • PHONE (417) 238-0112  
ANDERSON.COM 000927-ANDERENRCHART.PDF 2018/07/16/17

IF A SEAL IS PRESENT ON THIS SHEET IT HAS BEEN ELECTRONICALLY SEALED AND DATED.